

VS-PNRJ45-PNRJ45-93B-20,0 - Patch cable



1406408

<https://www.phoenixcontact.com/pc/products/1406408>

Please be informed that the data shown in this PDF document is generated from our online catalog. Please find the complete data in the user documentation. Our general terms of use for downloads are valid.



Patch cable, degree of protection: IP20, cable length: 20 m, number of positions: 4, 100 Mbps, PROFINET

Commercial data

Item number	1406408
Packing unit	1 pc
Minimum order quantity	1 pc
Product key	ABNABA
GTIN	4046356764100
Weight per piece (including packing)	1,339.2 g
Weight per piece (excluding packing)	1,260.886 g
Customs tariff number	85444210
Country of origin	PL

VS-PNRJ45-PNRJ45-93B-20,0 - Patch cable



1406408

<https://www.phoenixcontact.com/pc/products/1406408>

Technical data

Product properties

Product type	Data cable preassembled
Sensor type	PROFINET
Number of positions	4
Application	Standard
Shielded	yes

Insulation characteristics

Overvoltage category	I
----------------------	---

Signaling

Status display	No
----------------	----

Electrical properties

Rated voltage (III/3)	72 V (DC)
Transmission medium	Copper
Transmission characteristics (category)	CAT5
Transmission speed	100 Mbps

Mechanical properties

Mechanical data

Insertion force per signal contact	50.00 N
Extraction force per signal contact	30 N

Connector

Connection 1

Type	Plug straight RJ45
Shielded	yes
Degree of protection	IP20
Number of positions	4

Connection 2

Type	Plug straight RJ45
Shielded	yes
Insertion/withdrawal cycles	≥ 750
Degree of protection	IP20

Cable/line


Cable length	20.00 m
--------------	---------

PROFINET PVC stranded CAT5 [93B]

VS-PNRJ45-PNRJ45-93B-20,0 - Patch cable

1406408

<https://www.phoenixcontact.com/pc/products/1406408>

Dimensional drawing	
Note	Minimum bending radius 4 x D
Shielded	yes
Cable type	PROFINET PVC stranded CAT5
Cable type (abbreviation)	93B
Signal type/category	PROFINET CAT5 (IEC 11801:2002), 100 Mbps
Cable structure	1x4xAWG22/7, SF/TQ
External cable diameter	6.5 mm
Outer sheath, material	PVC
External sheath, color	green RAL 6018
Conductor material	Tin-plated Cu litz wires
Conductor structure signal line	7x 0.25 mm
AWG signal line	22
Conductor cross section	4x 0.34 mm ²
Wire diameter incl. insulation	approx. 1.5 mm
Single wire, color	white, yellow, blue, orange
Wave impedance	100 Ω ±15 Ω (at 1 ... 100 MHz)
Smallest bending radius, fixed installation	30 mm
Smallest bending radius, movable installation	60 mm

Environmental and real-life conditions

Ambient conditions

Degree of protection	IP20
----------------------	------

VS-PNRJ45-PNRJ45-93B-20,0 - Patch cable

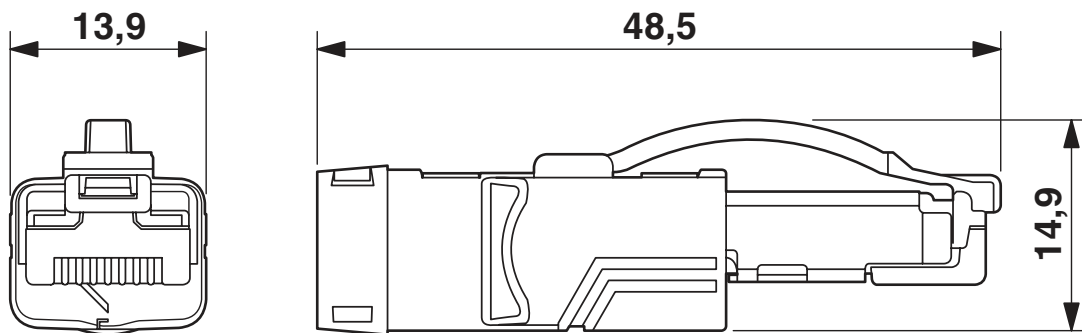


1406408

<https://www.phoenixcontact.com/pc/products/1406408>

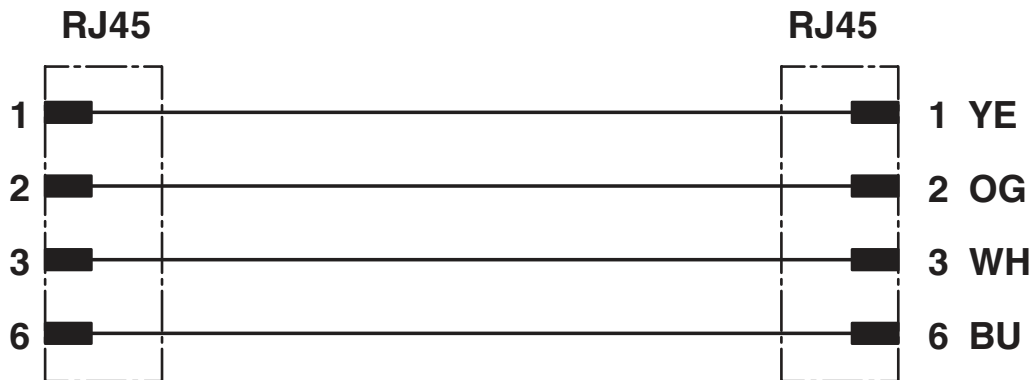
Drawings

Dimensional drawing



RJ45 connector, IP20

Circuit diagram



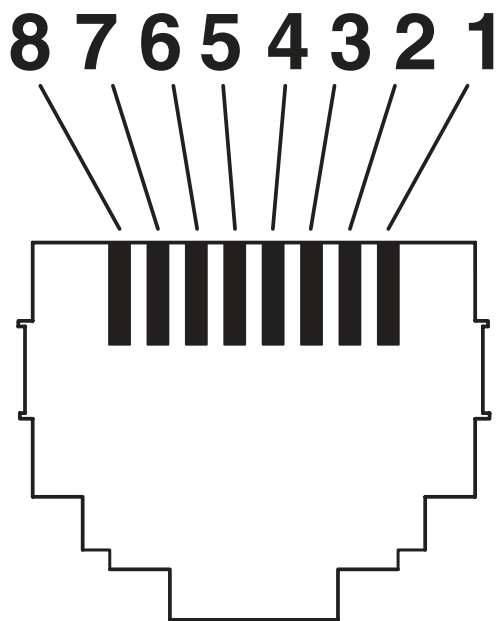
VS-PNRJ45-PNRJ45-93B-20,0 - Patch cable

1406408

<https://www.phoenixcontact.com/pc/products/1406408>



Schematic diagram



VS-PNRJ45-PNRJ45-93B-20,0 - Patch cable



1406408

<https://www.phoenixcontact.com/pc/products/1406408>

Approvals

To download certificates, visit the product detail page: <https://www.phoenixcontact.com/pc/products/1406408>



EAC

Approval ID: 19060508

VS-PNRJ45-PNRJ45-93B-20,0 - Patch cable



1406408

<https://www.phoenixcontact.com/pc/products/1406408>

Classifications

ECLASS

ECLASS-11.0	27060308
ECLASS-12.0	27060308
ECLASS-13.0	27060308

ETIM

ETIM 8.0	EC002599
----------	----------

UNSPSC

UNSPSC 21.0	26121600
-------------	----------

VS-PNRJ45-PNRJ45-93B-20,0 - Patch cable



1406408

<https://www.phoenixcontact.com/pc/products/1406408>

Environmental product compliance

China RoHS	Environmentally friendly use period: unlimited = EFUP-e
	No hazardous substances above threshold values

Phoenix Contact 2023 © - all rights reserved
<https://www.phoenixcontact.com>

PHOENIX CONTACT GmbH & Co. KG
Flachmarktstraße 8
D-32825 Blomberg
+49 (0) 5235-3 00
info@phoenixcontact.com