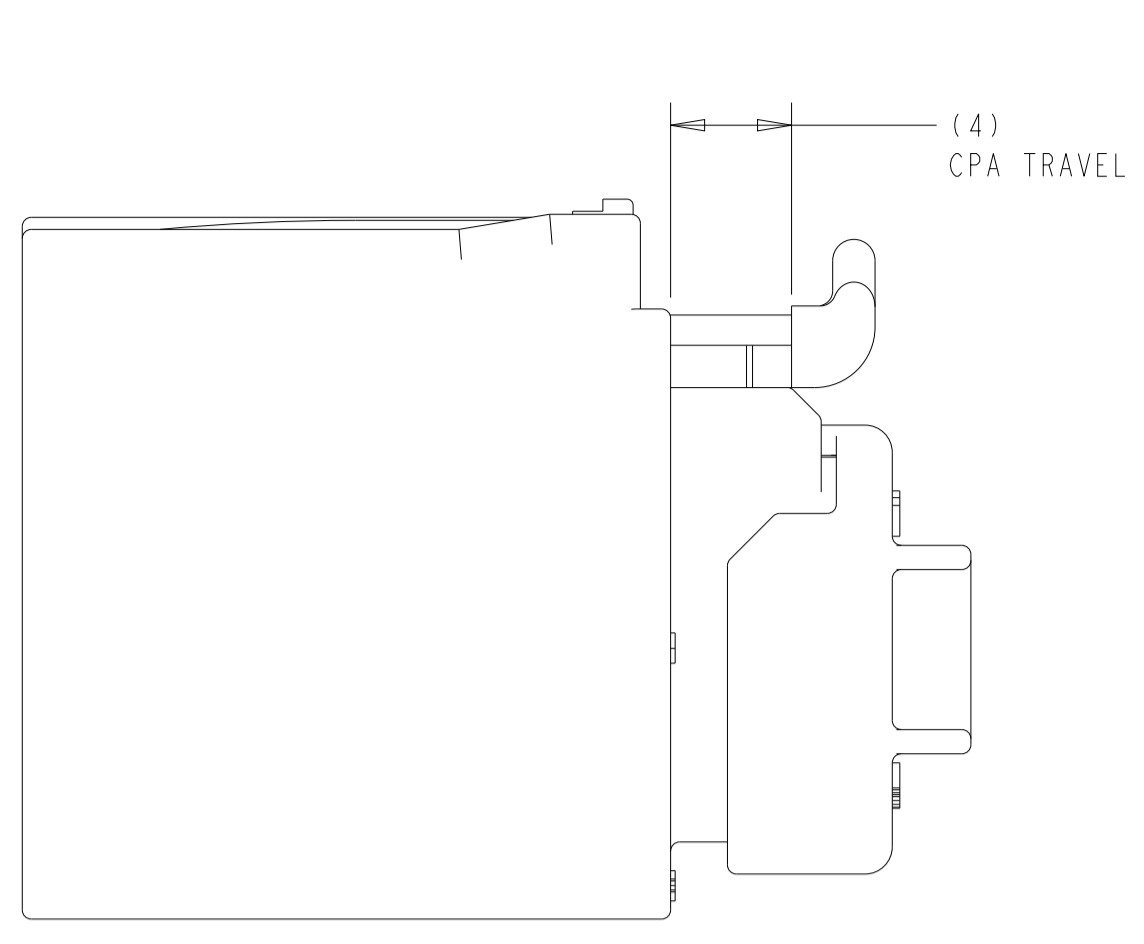
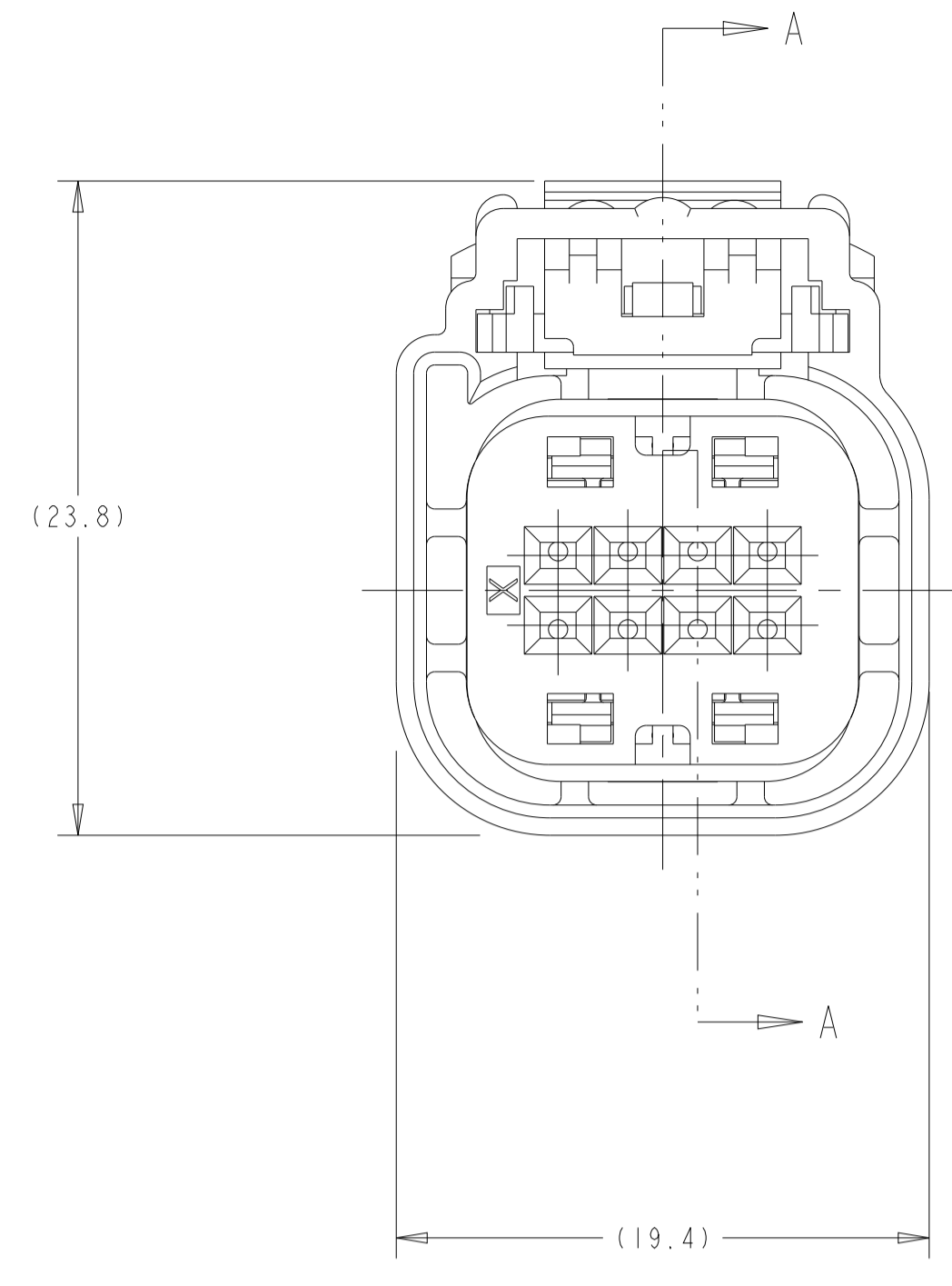
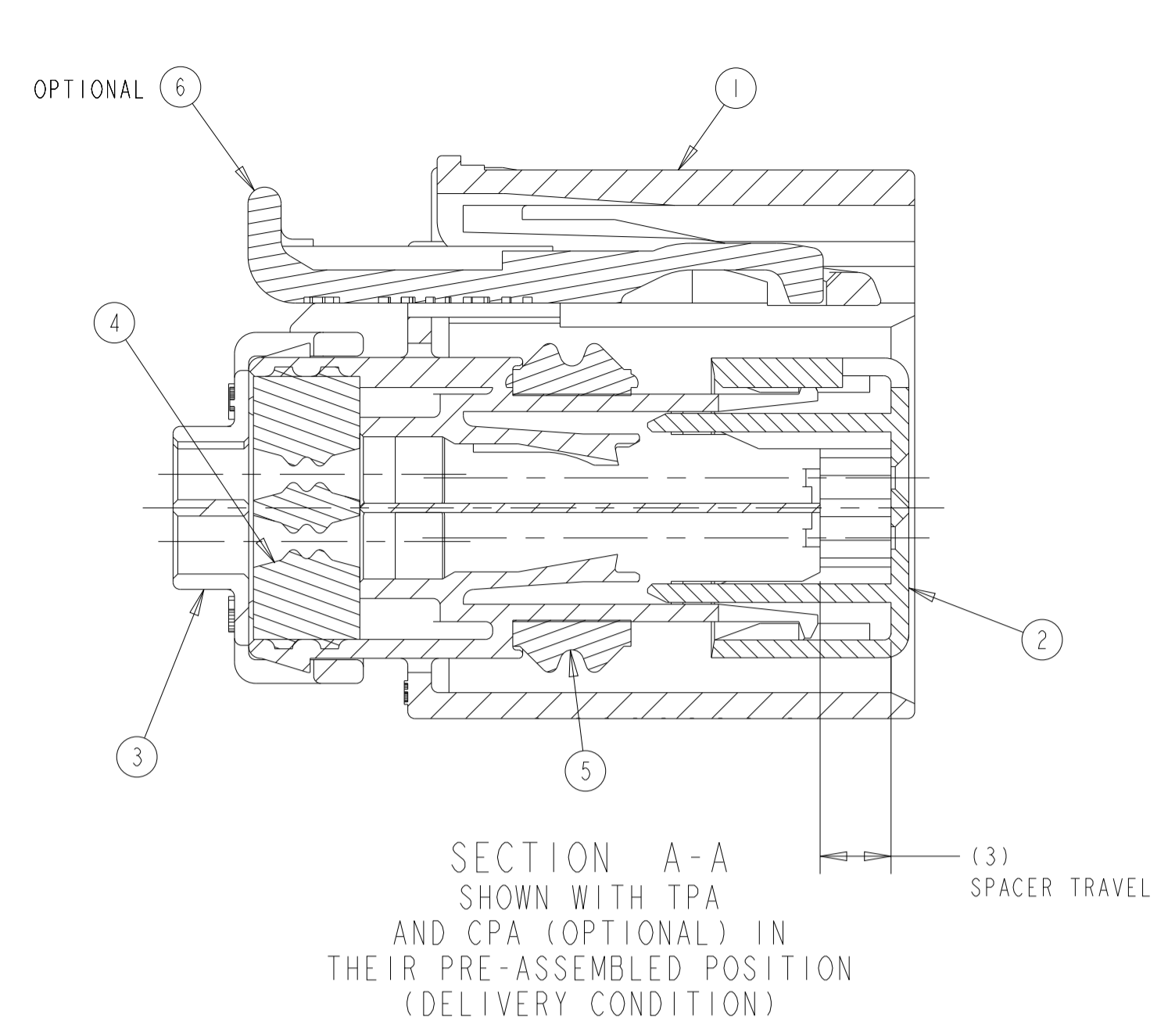


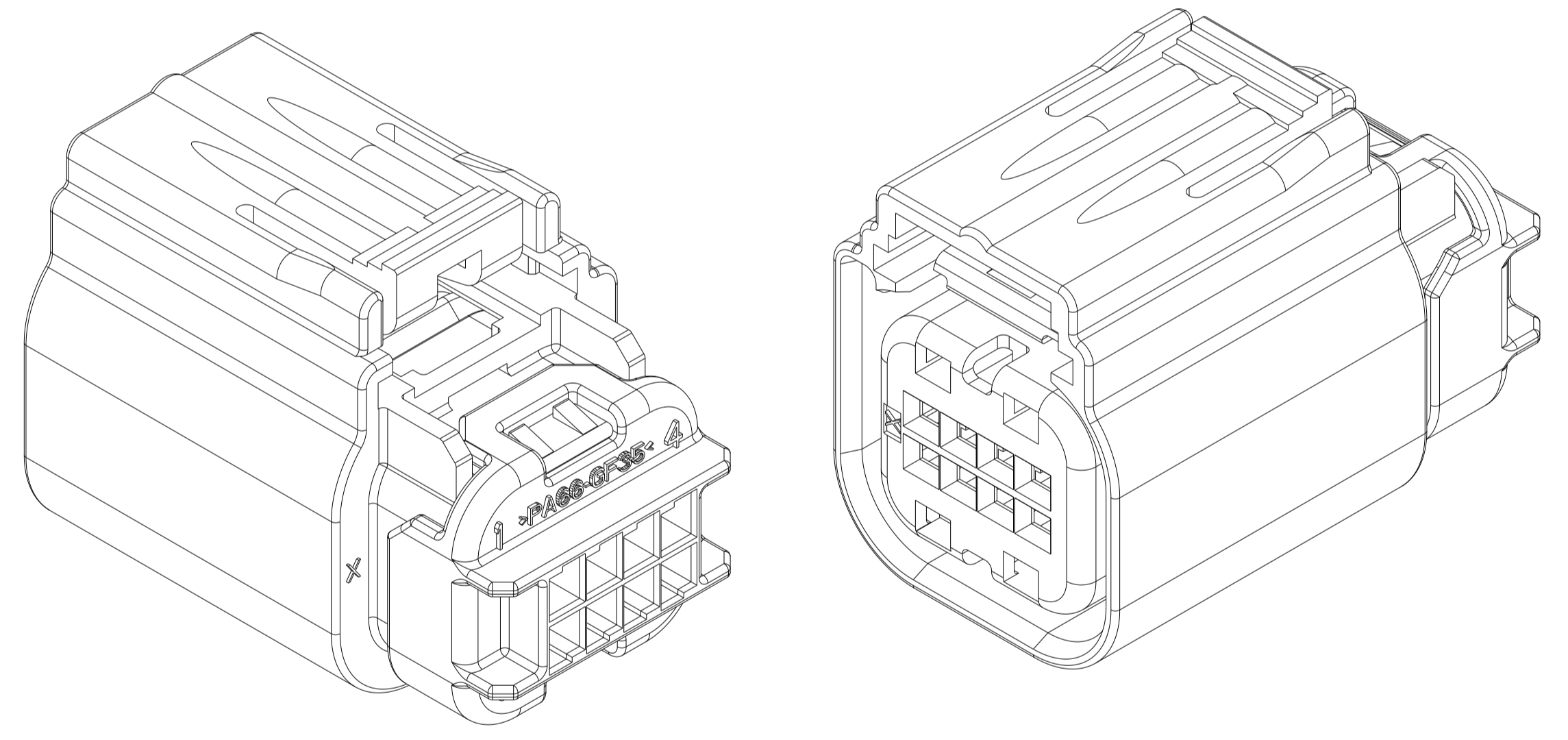
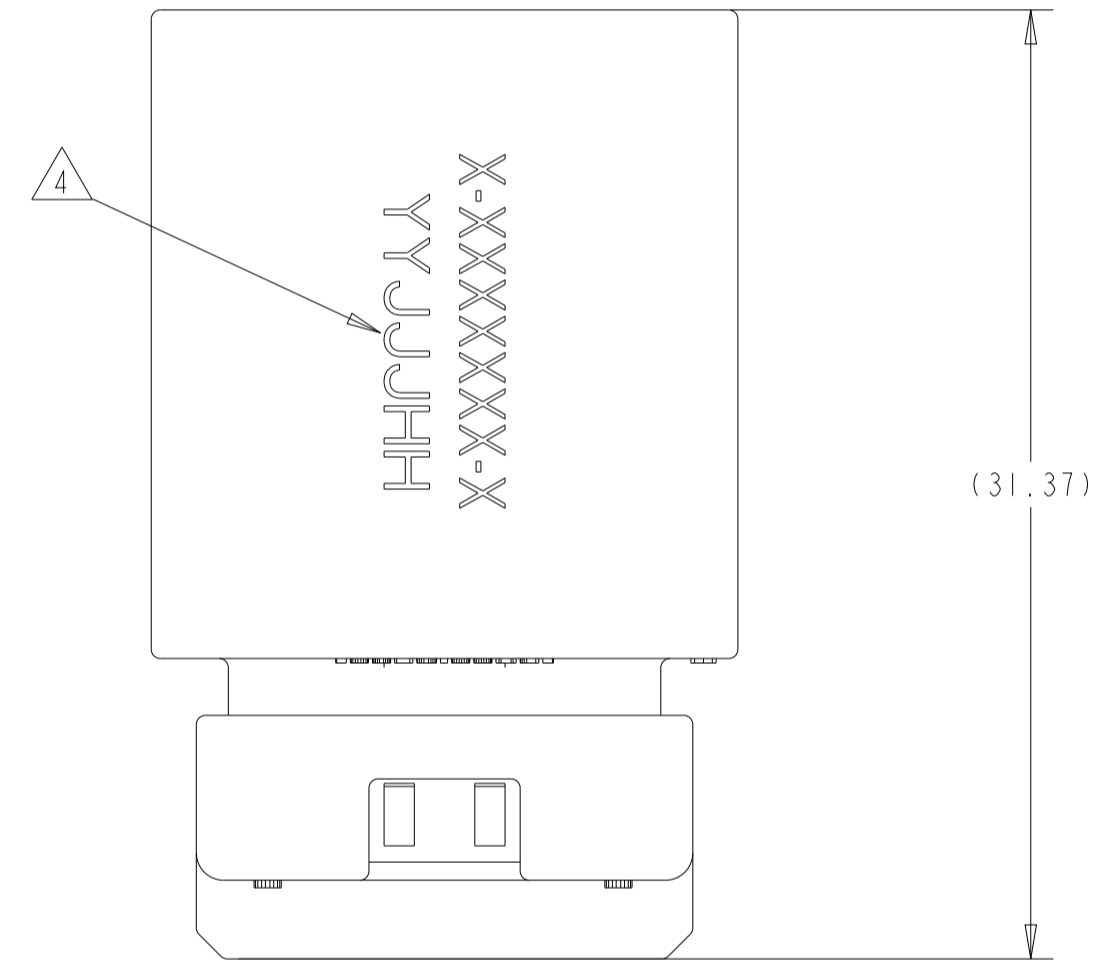
REVISIONS					
P	LTN	DESCRIPTION	DATE	DMN	APVD
J8	REV PER ECN-22-166480		28JUL2022	SMR	CM
J9	REV PER ECN-22-184459		28NOV2022	SMR	SAT
J10	REV PER ECN-23-199650		10MAR2023	SMR	DM
J11	REV PER ECN-23-217950		16JUN2023	LM	HC



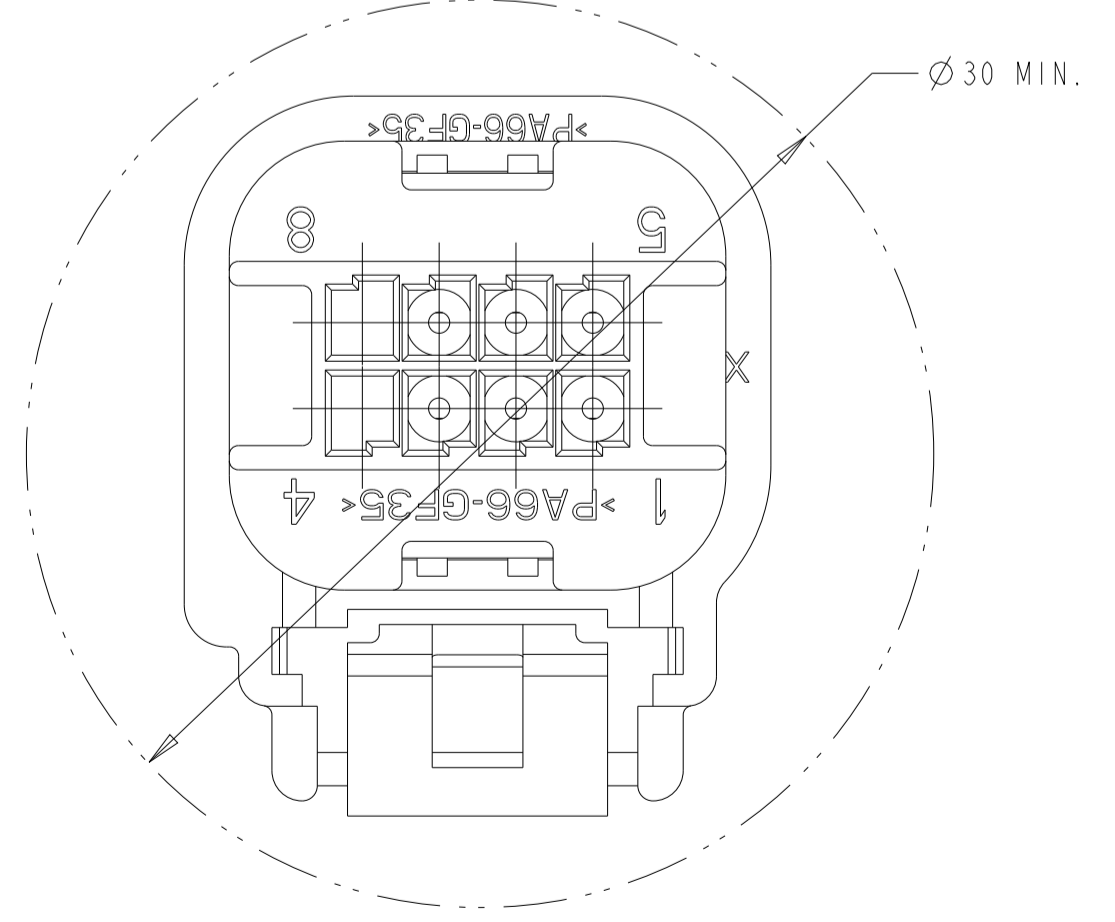
COVER CHART							
1	2	3	4	5	6	7	8
							1-1411001-9
1	2	3					1-1411001-8
1	2						1-1411001-7
1	2	4					1-1411001-6
				5	6		1-1411001-5
						7	1-1411001-4
					6	7	1-1411001-3
1	2	3	4				1-1411001-2
				5	6	7	1-1411001-1
	3						1-1411001-0
				5	6	7	8
		3	4				1411001-9
							1411001-8
			4				1411001-7
							1411001-6
		3	4				8
			4				8
							1411001-1
1	2	3	4	5	6	7	8
TERMINAL POSITION							ASSEMBLY PART NUMBER

CAVITIES WITH A NUMBER INDICATES CLOSED TERMINAL HOLE LOCATIONS

BLANK CAVITIES INDICATE OPEN TERMINAL HOLE LOCATIONS



KEYING OPTION "B" SHOWN
SEE NOTE 5 FOR APPLICABLE
HEADER INTERFACE INFORMATION



MINIMUM FEED THRU CONDITION
WITH 1mm CLEARANCE ALL AROUND

- APPLICABLE TERMINAL PART NUMBERS (SOLD SEPARATELY):
FOR TIN AND SILVER APPLICATIONS: 1393367 AND 1393366.
FOR GOLD APPLICATIONS: 1393365 AND 1393364.
FOR TERMINATION AND REELING DIRECTION
SEE DRAWINGS 1393367, 1393366, 1393365, AND 1393364.
- COMPATIBLE WIRE SIZES FOR MAT SEAL DESIGN 1.19 TO 2.06 O.D.
(22-18 AWG, 0.35-0.75 mm²)
- TPA IS SHIPPED IN PRE-LOADED POSITION. SOME MAY BECOME FULLY SEATED DURING SHIPPING. USE TYCO INSTRUCTION SHEET 408-10128 TO REPOSITION TPA TO PRE-LOADED POSITION.
- TE CONNECTIVITY ASSEMBLY PART NUMBER (X-XXXXXX-X) AND TRACEABILITY CODE (YY = TWO DIGIT YEAR, JJJ = JULIAN DAY, HH = TWO DIGIT MILITARY HOUR) ARE PRINTED IN THIS LOCATION.
- APPLICABLE HEADER INTERFACE DRAWING 1488342.
- ASSEMBLIES ARE BULK PACKAGED.
- OPTIONAL CPA IS SHIPPED IN PRE-LOADED POSITION.
- PART NUMBER 1411001-2 SHOWN.

ITEM	DESCRIPTION	COLOR	MATERIAL
6	CPA	RED	PBT-GF15
5	PERIMETER SEAL	LIGHT GREEN	SILICONE
4	GROMMET	BROWN	SILICONE
3	GROMMET COVER	BLACK	PA66-GF35
2	TPA	RED	PBT+PC-GF30
1	PLUG, KEY B	BLACK	PA66-GF35

QUANTITY ITEM DESCRIPTION COLOR MATERIAL

THIS DRAWING IS A CONTROLLED DOCUMENT.

DMN: M. HITCHCOCK 01OCT2001
CHK: M. FORLSKA 12NOV2001
APVD: A. SHUMAN 12NOV2001

TE Connectivity

NAME: 2X4 SEALED, FEMALE PLUG ASSEMBLY

SIZE: 114-13150 CAGE CODE: 00779 DRAWING NO: 1411001

SCALE: 4:1 SHEET 1 OF 1