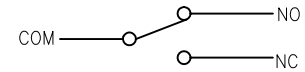
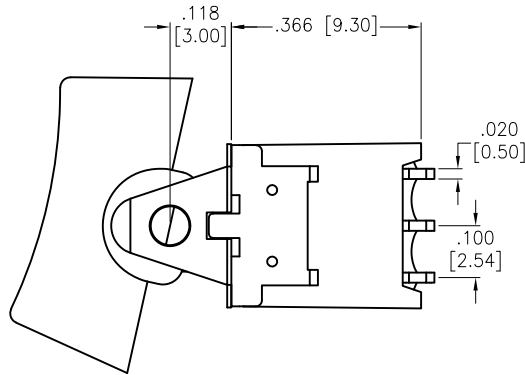
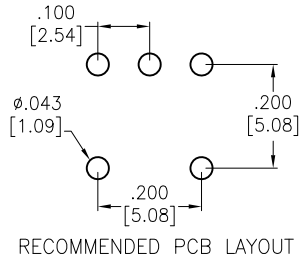
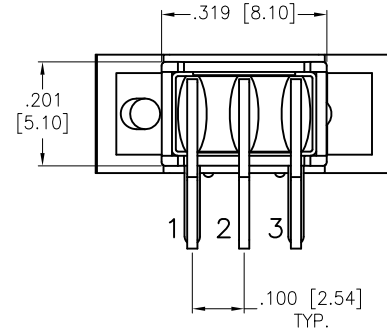
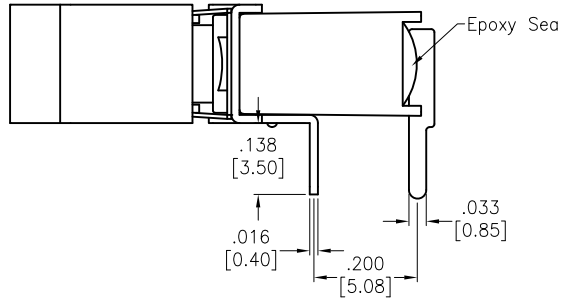
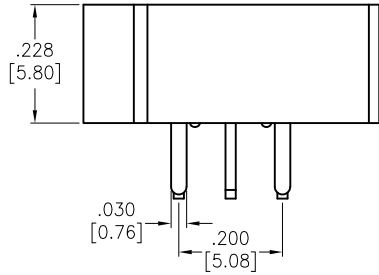


Rev	AWO #	Description	Date	Appr
-		RELEASED	12/22/20	
A		UPDATE TITLE	6/25/21	JJ/RC

APPROVED: _____
DATE: _____ TITLE: _____



CIRCUIT DIAGRAM
(SPDT) ON-ON

SWITCH MARKINGS



SPECIFICATIONS:

Material:
Movable contact: Copper Alloy, Gold over Nickel Plated
Terminals: Copper Alloy, Gold over Nickel Plated
Electrical:
Rating: 0.4 VA max @20V AC/DC
Contact resistance: 20 mohms max initial
Insulation resistance: 1,000 Mohms min
Dielectric withstanding voltage: 1,500V RMS @ sea level
Electrical life: 30,000 make and break cycles at full load
Temperature Rating:
Operating temperature: -30°C to +85°C
Environmental:
IP Class: IP67
Lead free, RoHS compliant



UNLESS OTHERWISE SPECIFIED ALL DIMENSIONS ARE INCHES [MM]. TOLERANCES: EXCEPT AS NOTED

INCHES		HOLES	
.X	± .10	∅.X	± .10
.XX	± .020	∅.XX	± .015
.XXX	± .015	∅.XXX	± .010

DRAWN	OW	12/22/20
CHECKED	AC	12/22/20
APPROVED		

THIS DRAWING CONTAINS INFORMATION THAT IS PROPRIETARY AND SHOULD NOT BE USED WITHOUT PRIOR WRITTEN PERMISSION FROM ADAM TECH

ADAM TECH

909 Rahway Avenue,
Union, NJ 07083
Phone: 908-687-5000
Fax: 908-687-5710

TITLE: SUB-MINIATURE ROCKER SWITCH, SPDT, ON-ON, PCB RIGHT ANGLE, SMALL BLACK ROCKER

SIZE	PART NO.	REV.
X	SW-R3-2B-C-SB5-G-14	A

REF: S00198T	SCALE: NTS	SHEET 1 OF 1
--------------	------------	--------------