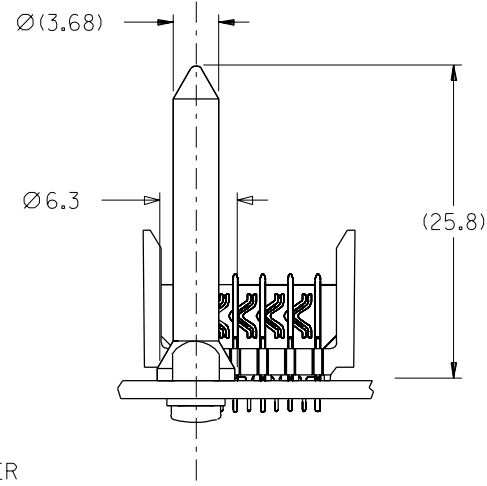
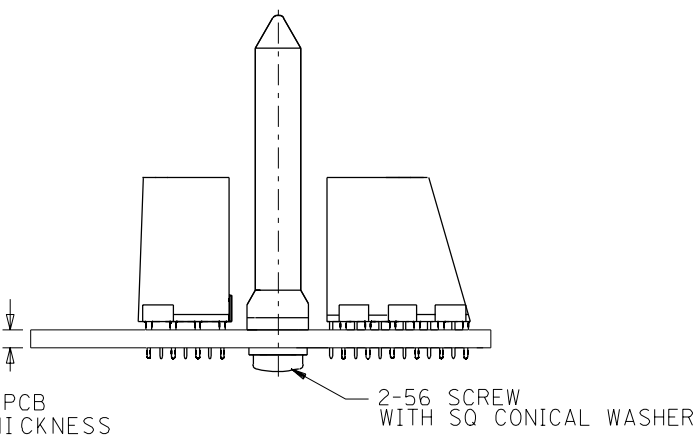


BACKPLANE HOLE PATTERN  
FREE STAND GUIDE PIN



KIT NUMBER	Z(MM) BOARD THICKNESS
74076-0001	1.8-4.0
74076-0002	>4.0-9.00

NOTES:  
PACKAGING: STANDARD BULK PACK, 500 PER BAG  
PACKAGE SCREWS AND GUIDE SEPARATE.

MATE WITH		DIM C
VHDM 6 ROW	GUIDE MODULE	9.96
	GROUND MODULE	9.26
	JOINER MODULE	9.26
VHDM 8 ROW	GUIDE MODULE	11.75
	GROUND MODULE	11.75
	JOINER MODULE	11.75

REVISED EC NO. UDT2001-0045 DRWG: MWANG 00/07/14 CHK: JLAURX 00/07/14 APPR: CBIXLER 00/07/14	DESCRIPTION MAJOR CRITICAL	QUALITY SYMBOLS = 0 = 0		GENERAL TOLERANCES: (UNLESS SPECIFIED)		SCALE	DESIGN UNITS <input checked="" type="checkbox"/> mm <input type="checkbox"/> INCH	DIMENSIONS: <input type="checkbox"/> mm <input type="checkbox"/> INCH <input checked="" type="checkbox"/> mm ONLY		SHT	REV
		4 PLACES ±0. -- ±.		3 PLACES ±0. -- ±.		2 PLACES ±0. 10 ±.		1 PLACE ±0. 15 ±.		REVISIONS ON CAD ONLY	
		ANGULAR: ± 3°		DRAFT WHERE APPLICABLE MUST REMAIN WITHIN DIMENSIONS		THIS DRAWING CONTAINS INFORMATION THAT IS PROPRIETARY TO MOLEX INCORPORATED AND SHOULD NOT BE USED WITHOUT WRITTEN PERMISSION.		SIZE B			
		EC NO. UDT2001-0045 DRWG: MWANG 00/07/14 CHK: JLAURX 00/07/14 APPR: CBIXLER 00/07/14		DESCRIPTION MAJOR CRITICAL		GENERAL TOLERANCES: (UNLESS SPECIFIED)		SCALE	DESIGN UNITS <input checked="" type="checkbox"/> mm <input type="checkbox"/> INCH	DIMENSIONS: <input type="checkbox"/> mm <input type="checkbox"/> INCH <input checked="" type="checkbox"/> mm ONLY	

DRAWN BY & DATE MWANG 00/03/17	TITLE: VHDM BACKPLANE FREE STANDING GUIDE PIN SALES DRAWING	
CHECKED BY & DATE JLAURX 00/03/20	APPROVED BY & DATE CBIXLER 00/03/20	
CAD FILENAME SD-74076-002.DGN	MATERIAL NO. SEE TABLE	DRAWING NO. SD-74076-002
MOLEX INCORPORATED		SHEET NO. 1 OF 1