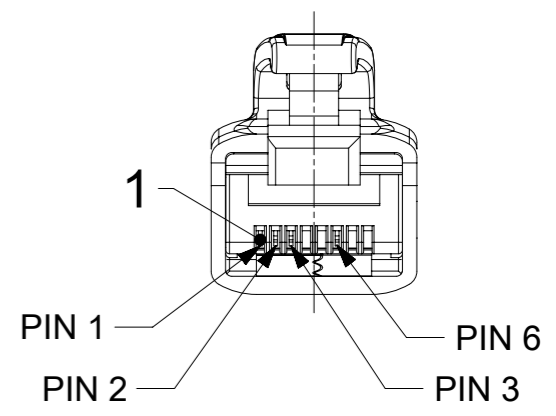
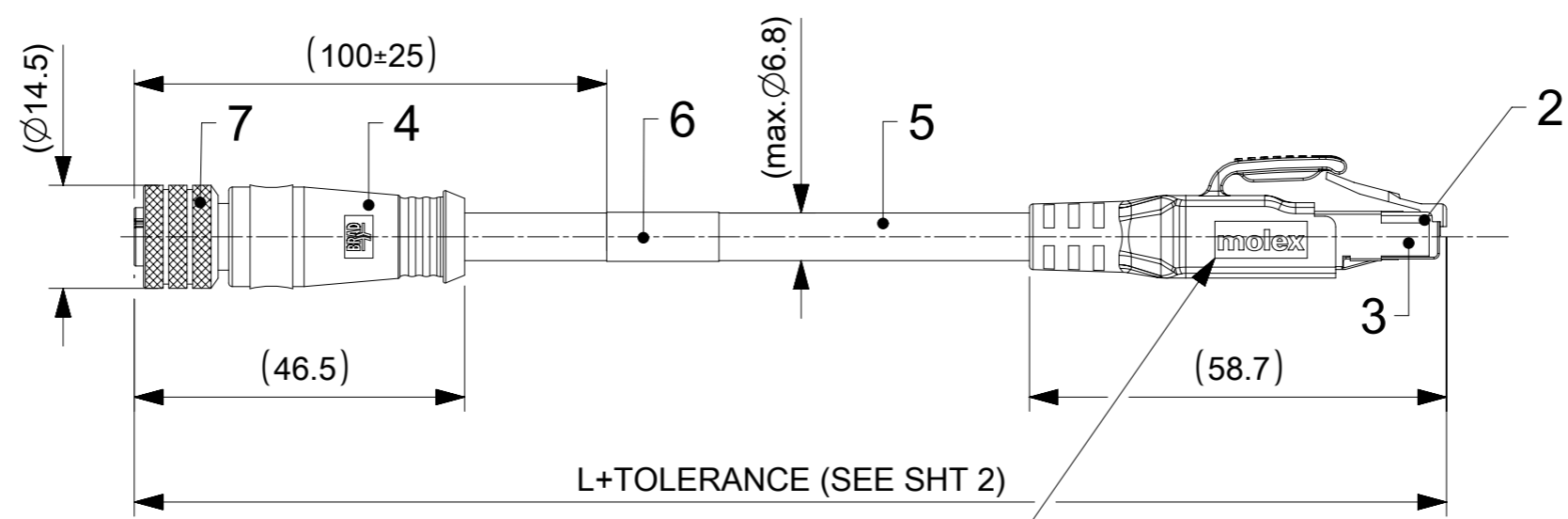
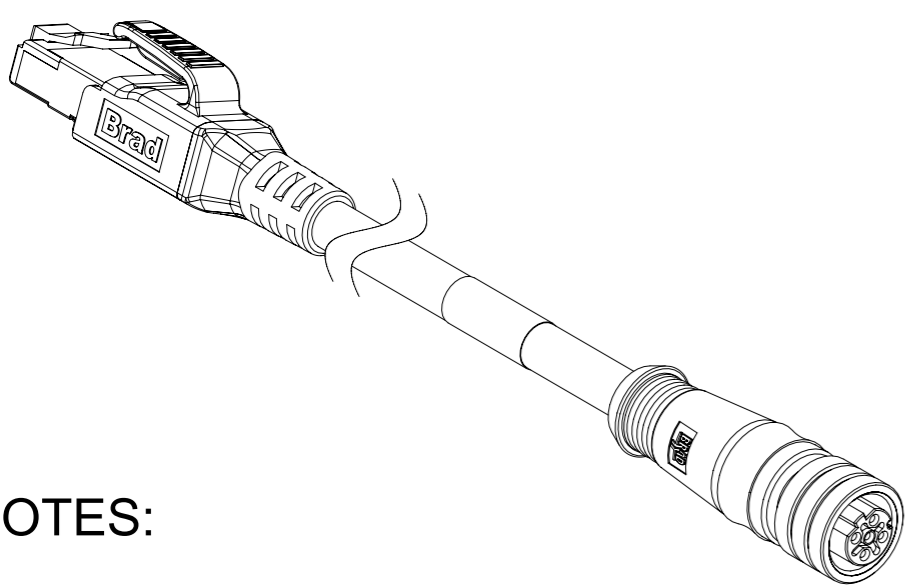
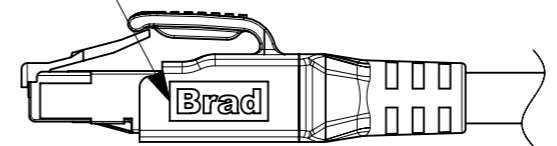


FRONT VIEW  
SCALE 2:1

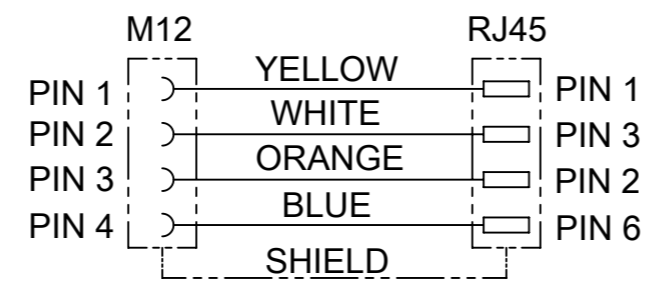


FRONT VIEW  
SCALE 2:1

BLACK OVERMOLD  
MOLEX LOGO ON ONE SIDE  
BRAD LOGO ON OTHER SIDE



WIRING DIAGRAM



BOM

ITEM	QTY.	DESCRIPTION	MATERIAL	FINISH / COLOR
10	1	ORING RED	FPM	---
9	4	CONTACTS M12 MALE	BRASS	SELECTIVE GOLD
8	1	INSERT 4P FEMALE	PUR	BLACK
7	1	COUPLING NUT M12 FEMALE	BRASS	NICKEL
6	1	LABEL 50x69.8	VINYL	WHITE
5	-	CABLE	SEE SHEET 2	---
4	-	OVERMOLD	TPU	BLACK
3	1	SHIELD	BRASS	TIN
2	1	PLUG RJ45 TRANSPARENT	POLYCARBONATE	---
1	4 or 8	CONTACT RJ45 MALE	PHOSPHOR BRONZE	SELECTIVE GOLD

NOTES:

- ELECTRICAL DATA:  
MAX. VOLTAGE RATING 60 VDC  
MAX. CURRENT PER CONTACT 1.5 A
- ENVIRONMENTAL:  
OPERATING TEMPERATURE SEE SHEET 2  
INDEX OF PROTECTION RJ45: IP20  
INDEX OF PROTECTION M12: IP67
- FOR MORE INFORMATION SEE PRODUCT SPECIFICATION 1201080202 PS P00

THIS DRAWING CONTAINS INFORMATION THAT IS PROPRIETARY TO MOLEX ELECTRONIC TECHNOLOGIES, LLC AND SHOULD NOT BE USED WITHOUT WRITTEN PERMISSION

FUNCTIONAL SYMBOLS:  $\nabla_A = 0$ ,  $\nabla_E = 0$ ,  $\nabla_V = 0$

DIMENSION UNITS: mm, SCALE: 1:1

GENERAL TOLERANCES (UNLESS SPECIFIED):  
ANGULAR TOL  $\pm 1.0^\circ$   
4 PLACES  $\pm$   
3 PLACES  $\pm$   
2 PLACES  $\pm 0.05$   
1 PLACE  $\pm 0.3$   
0 PLACES  $\pm 0.5$

DIVISIONAL SYMBOLS: DRAFT WHERE APPLICABLE MUST REMAIN WITHIN DIMENSIONS

THIRD ANGLE PROJECTION:

DRAWING: A3-SIZE, SERIES: 120108, MATERIAL NUMBER: SEE SHEET 2, CUSTOMER: GENERAL MARKET, SHEET NUMBER: 1 OF 2

EC NO: 672185  
DRWN: SSM 2021/06/23  
CHK'D: RSILLER 2021/09/20  
APPR: RSILLER 2021/09/20

INITIAL REVISION:  
DRWN: JMARSZALEK 2016/02/25  
APPR: RSILLER 2020/05/12

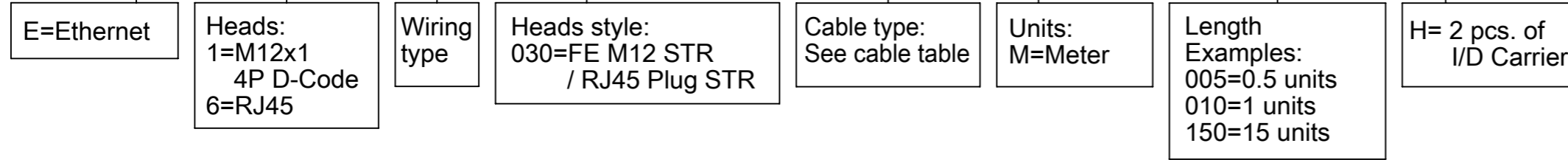
DOCUMENT NUMBER: 1201080264, DOC TYPE: PSD, DOC PART: 000, REVISION: B

**molex**  
CSE M12 RJ45 4P DC FE STR MA STR XM  
PRODUCT CUSTOMER DRAWING

# NUMERICAL CODE (Available parts see PART LIST table. Other parts available upon request)

## OPTIONS

**E 1 6 A 0 3 0 X X M X X X X**



# CABLE INFORMATION (for more information see Cable Data Sheet).

CABLE TYPE	CABLE O.D.	APPLICATION	CROSS SECTION	CABLE JACKET	UL	TEMP. RANGE STATIC BENDING RADIUS STATIC	TEMP. RANGE DYNAMIC BENDING RADIUS DYNAMIC	CYCLES	ADDITIONAL INFORMATION
11	6.8mm	PROFINET TYPE C	22AWG	PUR GREEN	STYLE 20549	-40°C to +80°C / min.5xO.D.	-20°C to +70°C / min.7.5xO.D.	up to 5 Mio	-
12	6.7mm	PROFINET TYPE C	22AWG	TPU BASED GREEN	STYLE 21215	-40°C to +80°C / min.5xO.D.	-25°C to +80°C / min.15xO.D.	about 2M, min.15xO.D., -5°C to +60°C	WSOR
16	6.5mm	-	24AWG	TPU BASED TEAL	STYLE 21215	-40°C to +80°C / min.6xO.D.	-20°C to +50°C	1M, min.10xO.D. / 2M min.20xO.D. @20°C	WSOR

# PART LIST

No.	MOLEX P/N	ENGINEERING NO.	L (CABLE LENGTH)
1	1201080264	E16A03011M010	1m
2	1201080265	E16A03011M020	2m
3	1201080266	E16A03011M050	5m
4	1201088741	E16A03011M900	90m
5	1201088261	E16A03011M300	30m
6			
7			
8			
9			
10			
11			
12			
13			
14			
15			
16			
17			
19			
20			
21			
22			
23			
24			
25			

### CABLE LENGTH TOLERANCES

LENGTH	TOLERANCE
0 m-1 m	+40 mm
>1 m-5 m	+60 mm
>5 m-10 m	+80 mm
>10 m-20 m	+140 mm
>20 m-30 m	+160 mm
>30 m	+1% length

FUNCTIONAL SYMBOLS	THIS DRAWING CONTAINS INFORMATION THAT IS PROPRIETARY TO MOLEX ELECTRONIC TECHNOLOGIES, LLC AND SHOULD NOT BE USED WITHOUT WRITTEN PERMISSION																																																														
<table border="1"> <tr><td>FUNCTIONAL SYMBOLS</td><td>THIS DRAWING CONTAINS INFORMATION THAT IS PROPRIETARY TO MOLEX ELECTRONIC TECHNOLOGIES, LLC AND SHOULD NOT BE USED WITHOUT WRITTEN PERMISSION</td></tr> <tr><td>△/A = 0</td><td>mm</td></tr> <tr><td>△/E = 0</td><td>SCALE 1:1</td></tr> <tr><td>△/V = 0</td><td>GENERAL TOLERANCES (UNLESS SPECIFIED)</td></tr> <tr><td></td><td>ANGULAR TOL ± 1.0°</td></tr> <tr><td></td><td>4 PLACES ±</td></tr> <tr><td></td><td>3 PLACES ±</td></tr> <tr><td></td><td>2 PLACES ± 0.05</td></tr> <tr><td></td><td>1 PLACE ± 0.3</td></tr> <tr><td></td><td>0 PLACES ± 0.5</td></tr> </table>	FUNCTIONAL SYMBOLS	THIS DRAWING CONTAINS INFORMATION THAT IS PROPRIETARY TO MOLEX ELECTRONIC TECHNOLOGIES, LLC AND SHOULD NOT BE USED WITHOUT WRITTEN PERMISSION	△/A = 0	mm	△/E = 0	SCALE 1:1	△/V = 0	GENERAL TOLERANCES (UNLESS SPECIFIED)		ANGULAR TOL ± 1.0°		4 PLACES ±		3 PLACES ±		2 PLACES ± 0.05		1 PLACE ± 0.3		0 PLACES ± 0.5	<table border="1"> <tr><td colspan="2">CURRENT REV DESC: CABLE AND STDS UPDATED</td></tr> <tr><td colspan="2"><b>molex</b></td></tr> <tr><td colspan="2">CSE M12 RJ45 4P DC FE STR MA STR XM</td></tr> <tr><td colspan="2">PRODUCT CUSTOMER DRAWING</td></tr> <tr><td>EC NO: 672185</td><td>2021/06/23</td></tr> <tr><td>DRWN: SSM</td><td>2021/09/20</td></tr> <tr><td>CHK'D: RSILLER</td><td>2021/09/20</td></tr> <tr><td>APPR: RSILLER</td><td>2021/09/20</td></tr> <tr><td colspan="2">INITIAL REVISION:</td></tr> <tr><td>DRWN: JMARSZALEK</td><td>2016/02/25</td></tr> <tr><td>APPR: RSILLER</td><td>2020/05/12</td></tr> <tr><td>DOCUMENT NUMBER</td><td>1201080264</td></tr> <tr><td>DOC TYPE</td><td>PSD</td></tr> <tr><td>DOC PART</td><td>000</td></tr> <tr><td>REVISION</td><td>B</td></tr> <tr><td>DRAFT WHERE APPLICABLE MUST REMAIN WITHIN DIMENSIONS</td><td>THIRD ANGLE PROJECTION</td></tr> <tr><td></td><td>DRAWING</td></tr> <tr><td></td><td>SERIES</td></tr> <tr><td></td><td>MATERIAL NUMBER</td></tr> <tr><td></td><td>CUSTOMER</td></tr> <tr><td></td><td>SHEET NUMBER</td></tr> </table>	CURRENT REV DESC: CABLE AND STDS UPDATED		<b>molex</b>		CSE M12 RJ45 4P DC FE STR MA STR XM		PRODUCT CUSTOMER DRAWING		EC NO: 672185	2021/06/23	DRWN: SSM	2021/09/20	CHK'D: RSILLER	2021/09/20	APPR: RSILLER	2021/09/20	INITIAL REVISION:		DRWN: JMARSZALEK	2016/02/25	APPR: RSILLER	2020/05/12	DOCUMENT NUMBER	1201080264	DOC TYPE	PSD	DOC PART	000	REVISION	B	DRAFT WHERE APPLICABLE MUST REMAIN WITHIN DIMENSIONS	THIRD ANGLE PROJECTION		DRAWING		SERIES		MATERIAL NUMBER		CUSTOMER		SHEET NUMBER
FUNCTIONAL SYMBOLS	THIS DRAWING CONTAINS INFORMATION THAT IS PROPRIETARY TO MOLEX ELECTRONIC TECHNOLOGIES, LLC AND SHOULD NOT BE USED WITHOUT WRITTEN PERMISSION																																																														
△/A = 0	mm																																																														
△/E = 0	SCALE 1:1																																																														
△/V = 0	GENERAL TOLERANCES (UNLESS SPECIFIED)																																																														
	ANGULAR TOL ± 1.0°																																																														
	4 PLACES ±																																																														
	3 PLACES ±																																																														
	2 PLACES ± 0.05																																																														
	1 PLACE ± 0.3																																																														
	0 PLACES ± 0.5																																																														
CURRENT REV DESC: CABLE AND STDS UPDATED																																																															
<b>molex</b>																																																															
CSE M12 RJ45 4P DC FE STR MA STR XM																																																															
PRODUCT CUSTOMER DRAWING																																																															
EC NO: 672185	2021/06/23																																																														
DRWN: SSM	2021/09/20																																																														
CHK'D: RSILLER	2021/09/20																																																														
APPR: RSILLER	2021/09/20																																																														
INITIAL REVISION:																																																															
DRWN: JMARSZALEK	2016/02/25																																																														
APPR: RSILLER	2020/05/12																																																														
DOCUMENT NUMBER	1201080264																																																														
DOC TYPE	PSD																																																														
DOC PART	000																																																														
REVISION	B																																																														
DRAFT WHERE APPLICABLE MUST REMAIN WITHIN DIMENSIONS	THIRD ANGLE PROJECTION																																																														
	DRAWING																																																														
	SERIES																																																														
	MATERIAL NUMBER																																																														
	CUSTOMER																																																														
	SHEET NUMBER																																																														