

PART NUMBER	ENG. NO	FINISHED LENGTH
1300240214	DND10A-M005	1FT 8IN [0.5M]
1300240215	DND10A-M010	3FT 3IN [1.0M]
1300240223	DND10A-M100	32FT 10IN [10.0M]

(B) CABLE LENGTH TOLERANCES

<.3M [1FT]: +19mm-0 [+.75in-0]

.3 - .9M [1 - 3FT]: +44.5mm-0 [+1.75in-0]

.9 - 1.8M [3 - 6FT]: +55.6mm-0 [+2.19in-0]

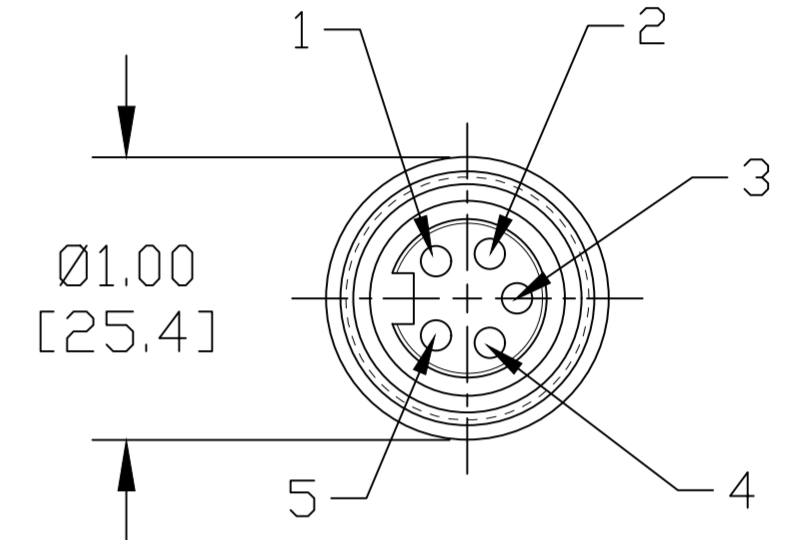
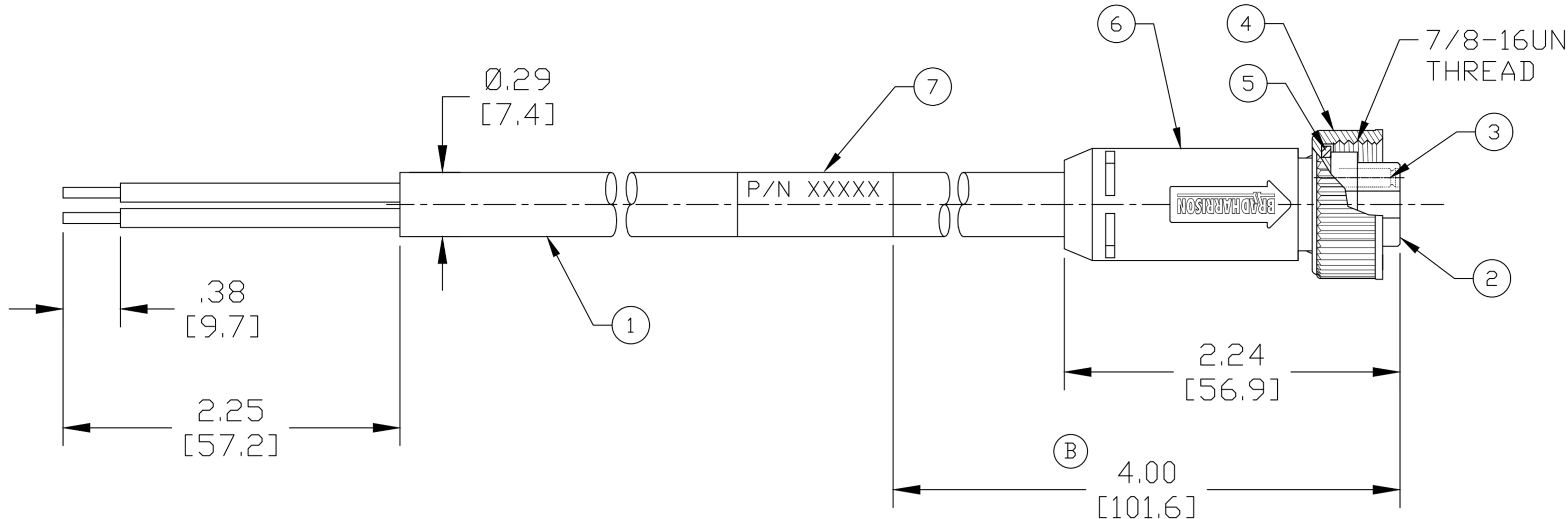
1.8 - 3.7M [6 - 12FT]: +88.9mm-0 [+3.50in-0]

3.7 - 7.3M [12 - 24FT]: +165.1mm-0 [+6.50in-0]

7.3-14.6M [24 - 48FT]: +317.5mm-0 [+12.50in-0]

14.6 - 30.5M [48-100FT]: +622.3mm-0 [+24.50in-0]

OVER 30M [100FT] +2% OF FINISHED LENGTH



FEMALE FACE VIEW

1	DRAIN
2	RED
3	BLACK
4	WHITE
5	BLUE

- NOTES:**
- MATERIAL: AS NOTED
 - FINISH: AS NOTED
 - ELECTRICAL:
VOLTAGE: 300V PER IEC 60664 (B)
300V PER UL 2238
CURRENT: 4A
 - TEMP RATING: -20°C TO +80°C
 - PROTECTION: IP67 (WHEN MATED)
 - COUPLING THREAD: AS NOTED
 - UL RECOGNIZED FILE: E152210
CSA RECOGNIZED FILE: LR6837
 - ALL DIMS ARE FOR REFERENCE UNLESS TOLERANCED OR NOTED OTHERWISE

PART NO. LEGEND

DND10A-M010

CABLE TYPE DEVICE-NET

FINISHED LENGTH
M005----0.5 Meter
M010----1 Meter
M100----10 Meter

WIRING DIAGRAM

ITEM	DESCRIPTION	MATERIAL	FINISH
7	WRAP LABEL	VINYL	BLACK/YELLOW
6	OVERMOLD	TPE (B)	GRAY
5	FRICTION RING	NYLON	WHITE
4	COUPLING NUT, INT. THD	ZINC DIE-CAST	BLACK E-COAT
3	CONTACT SOCKET	COPPER ALLOY	GOLD PLATED
2	FEMALE INSERT	TPE (B)	BLACK (B)
1	CABLE, 22AWG DEV-NET DROP	PVC JACKET	GRAY

THIS DRAWING CONTAINS INFORMATION THAT IS PROPRIETARY TO MOLEX ELECTRONIC TECHNOLOGIES, LLC AND SHOULD NOT BE USED WITHOUT WRITTEN PERMISSION

FUNCTIONAL SYMBOLS	DIMENSION UNITS	SCALE	CURRENT REV DESC: REV NOTES, LABEL DIM WAS 12/14 IN, O-MOLD WAS PVC, INSERT WAS PVC GRAY ADD CABLE LENGTH TOL, UPDATE BORDER
	INCH/MM	NTS	
DIVISIONAL SYMBOLS	GENERAL TOLERANCES (UNLESS SPECIFIED)		EC NO: 688872 DRWN: RSTONE 2021/12/14 CHK'D: ALEON01 2021/12/15 APPR: BWOODMAN 2021/12/15
	4 PLACES	±----	
DIVISIONAL SYMBOLS	3 PLACES	±----	±----
	2 PLACES	±----	±----
DIVISIONAL SYMBOLS	1 PLACE	±----	±----
	0 PLACES	±----	±----
ANGULAR TOL ± ---- °		INITIAL REVISION:	
DRAFT WHERE APPLICABLE MUST REMAIN WITHIN DIMENSIONS		DRWN: E BRACKEN 2013/09/12	2013/10/07
THIRD ANGLE PROJECTION		APPR: BWOODMAN	
DRAWING		SERIES	DOCUMENT NUMBER
C-SIZE		130024	SD-130024-018
MATERIAL NUMBER		CUSTOMER	DOC TYPE/DOC PART/REVISION
SEE P/N LEGEND		GENERAL MARKET	PSD 001 B
SHEET NUMBER		1 OF 1	