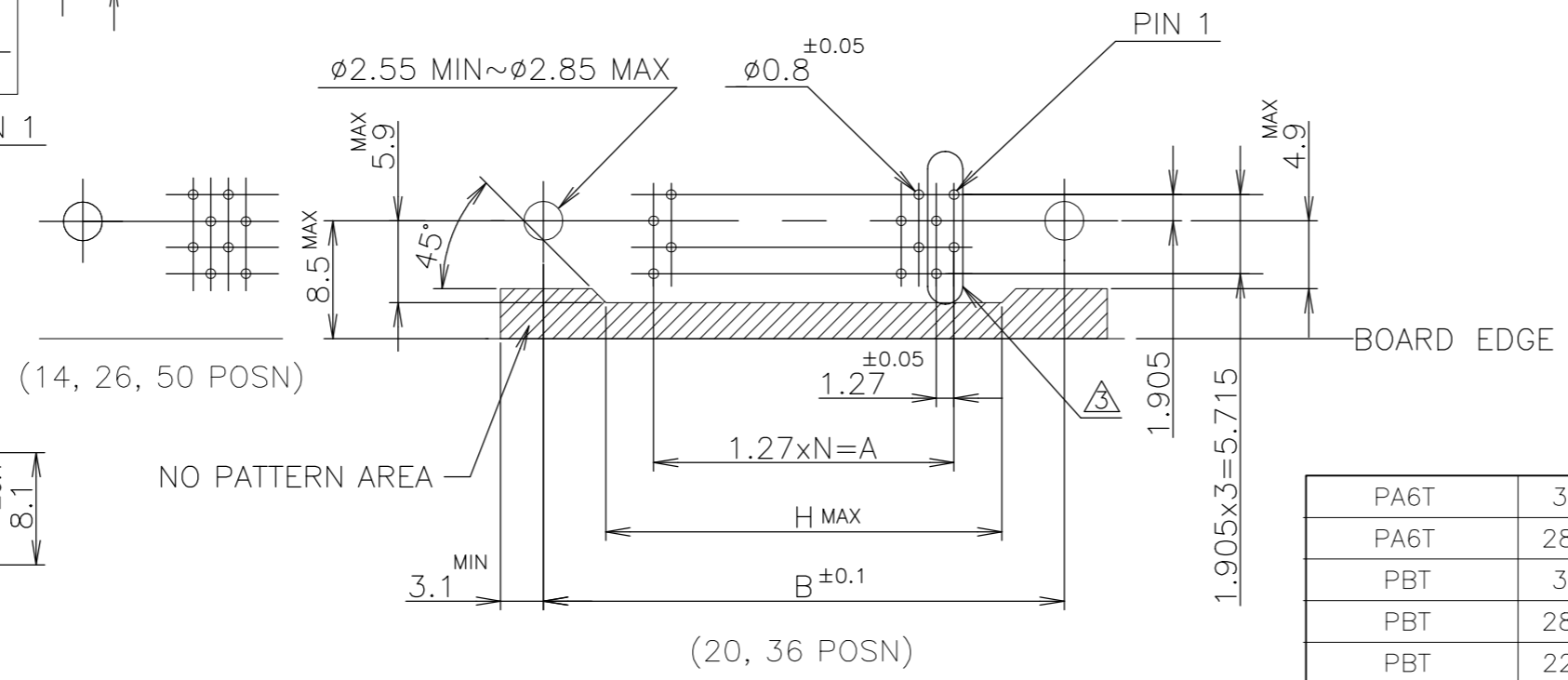
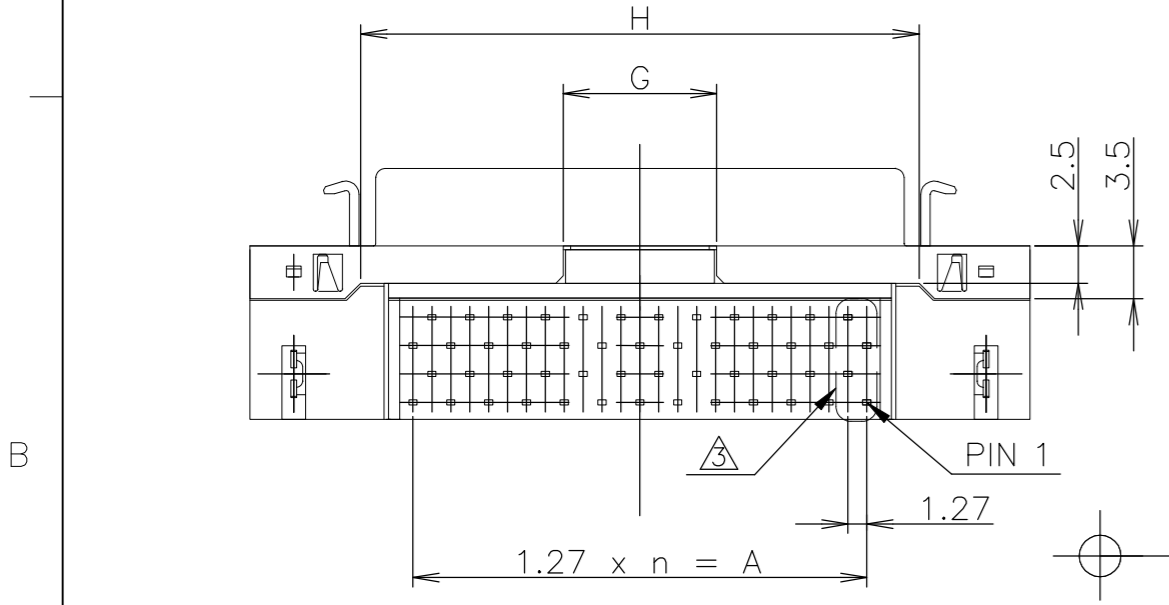
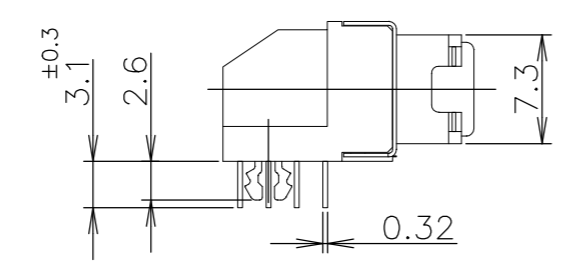
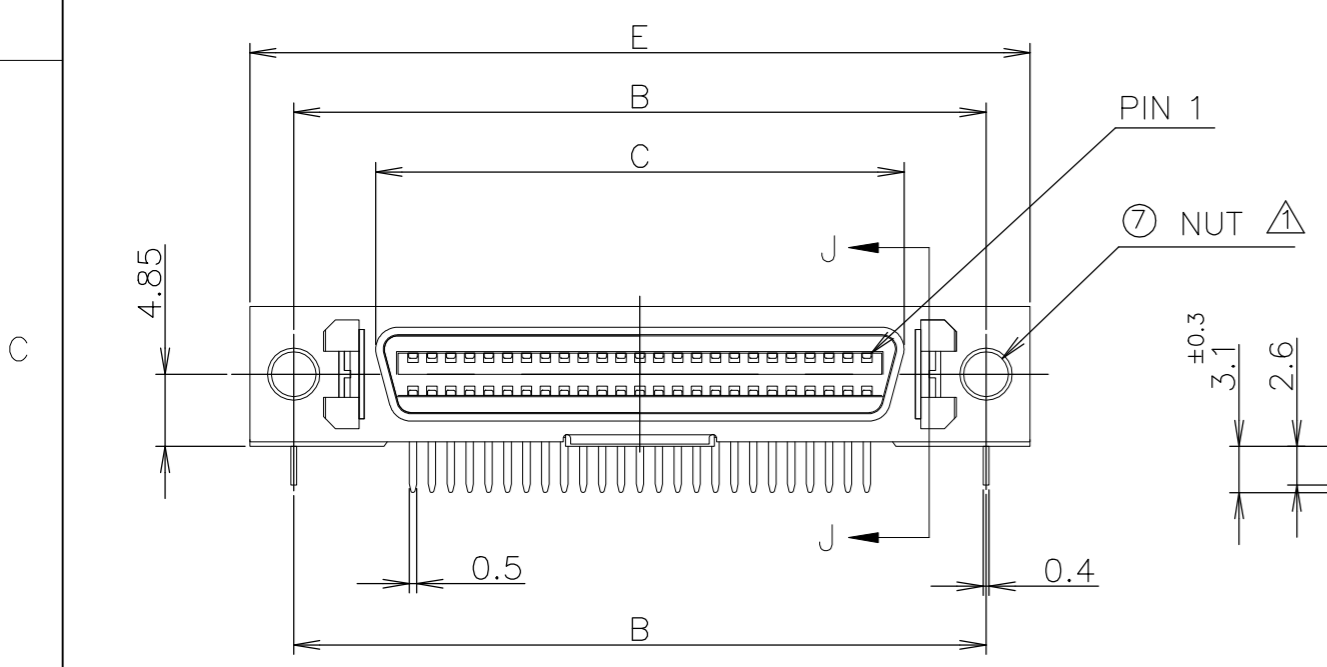
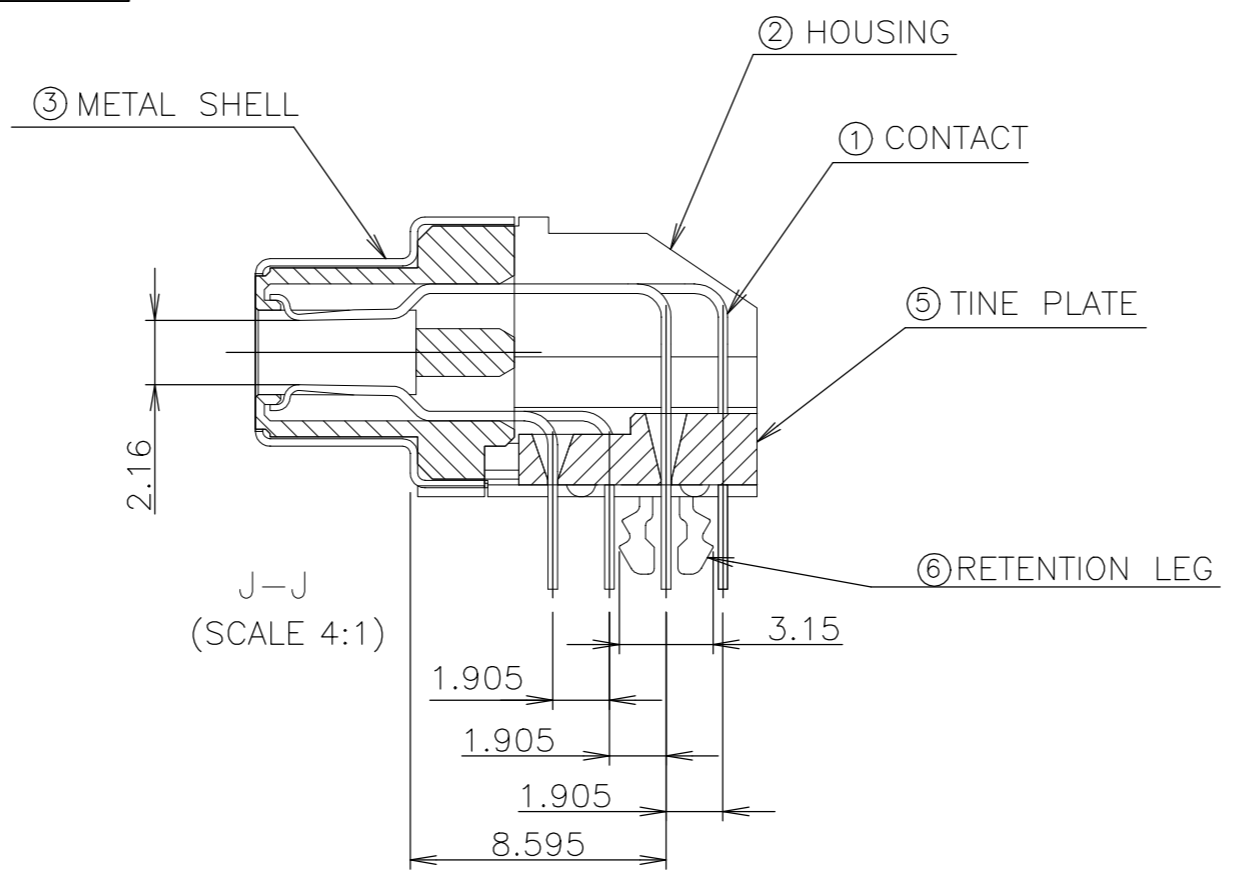
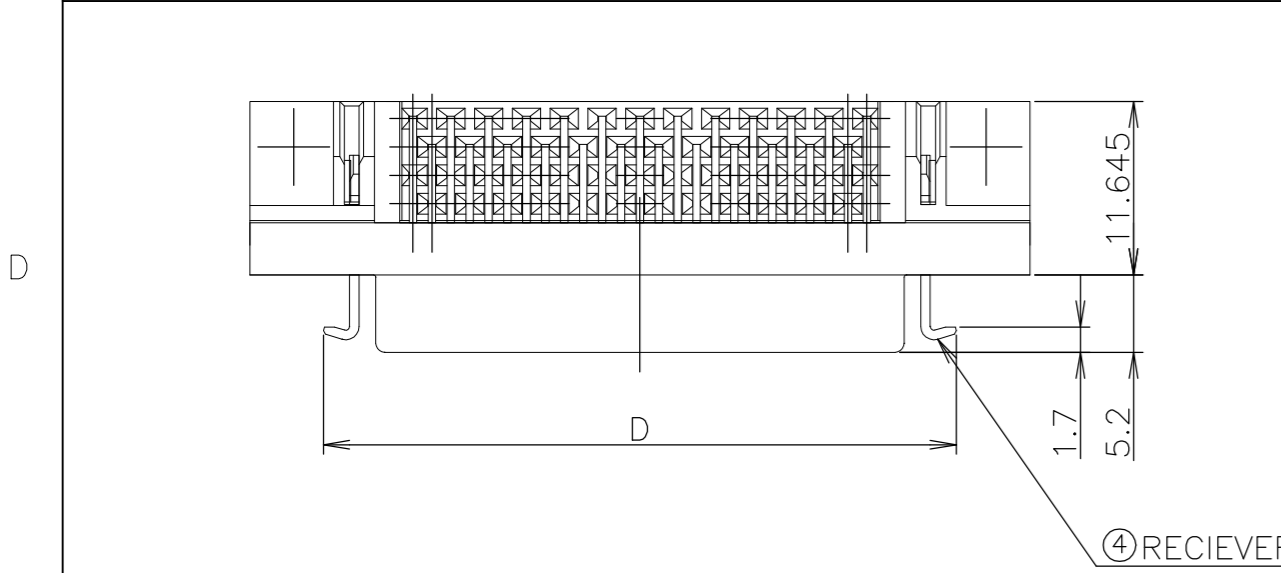


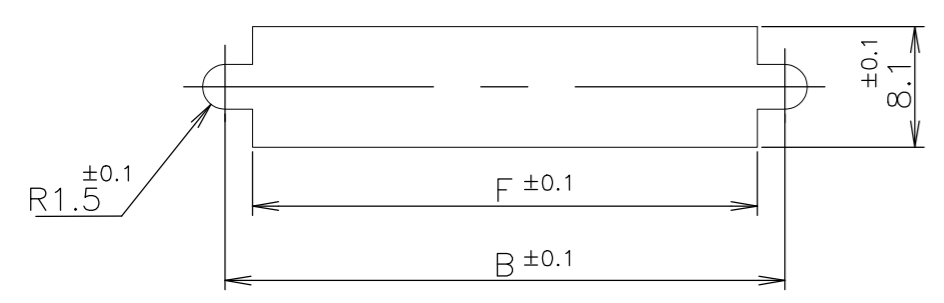
REVISIONS				
P	LTR	DESCRIPTION	DATE	DWN / APVD
R		REVISED PER ECO-17-008763	23JAN2018	RG / SH



ITEM	(MATERIAL)	(FINISH)
①	COPPER ALLOY	NICKEL UNDER PLATE ALL OVER CONTACT AREA : Au(0.0001) SOLDER TINE AREA ; TIN PLATE
② ⑤	PBT OR PA6T	COLOR : PBT BLACK PA6T NATURAL
③	STEEL THK0.25	NICKEL PLATE OVER COPPER UNDERPLATE
④	STAINLESS STEEL	
⑥	COPPER ALLOY	NICKEL UNDER PLATE ALL OVER. TIN PLATING ALL OVER.
⑦	STEEL	NICKEL PLATE OVER COPPER UNDERPLATE

△ RECOMMENDED SCREW SIZE ; M2.6 PANHEAD SCREW.(L=5)
 2 RECOMMENDED P.C BOARD THICKNESS ; 1.6mm±0.15
 △ POST PATTERN AS SHOWN ON THIS END FOR ALL POSITION.

LEAD FREE



RECOMENDED PANEL CUTOUT
THK,2mm MAX



RECOMENDED PC BOARD
MOUNTING DIMMENSION
COMPONENT SIDE

PA6T	37.5	10.3	42.8	52.40	42.50	35.48	46.50	30.48	24	50	1-5917738-7
PA6T	28.61	8.3	33.9	43.51	33.61	26.59	37.61	21.59	17	36	1-5917738-5
PBT	37.5	10.3	42.8	52.40	42.50	35.48	46.50	30.48	24	50	5917738-7
PBT	28.61	8.3	33.9	43.51	33.61	26.59	37.61	21.59	17	36	5917738-5
PBT	22.26	8.3	27.6	37.16	27.26	20.24	31.26	15.24	12	26	5917738-4
OBSOLETE	PBT	18.45	8.3	23.8	33.35	23.45	27.45	11.43	9	20	5917738-2
OBSOLETE	PBT	14.64	8.3	19.9	29.54	19.64	23.64	7.62	6	14	5917738-1
HSG MAT'L	H	G	F	E	D	C	B	A	N	POSITION	PART NO.

THIS DRAWING IS A CONTROLLED DOCUMENT.

DIMENSIONS: 单位: 毫米 mm

TOLERANCES UNLESS OTHERWISE SPECIFIED: 一般公差

0 PLC	± 0.2
1 PLC	± 0.2
2 PLC	± 0.2
3 PLC	± 0.2
4 PLC	± 0.2
ANGLES	± 3°

MATERIAL 材料: SEE TABLE

FINISH 仕上: SEE TABLE

THIS DRAWING IS A CONTROLLED DOCUMENT.

DWN: LEO ZHOU 30NOV04
CHK: STEVEN YAO 30NOV04
APVD: LENOMOTO 30NOV04

NAME: TE Connectivity Ltd.

PRODUCT SPEC: CHAMP.050 SERIES (II) FMS-TYPE

APPLICATION SPEC: 取付適用規格

WEIGHT: A2 00779

DRAWING NO: 5917738

SCALE: 2:1

SHEET: 1 of 1

REV: R