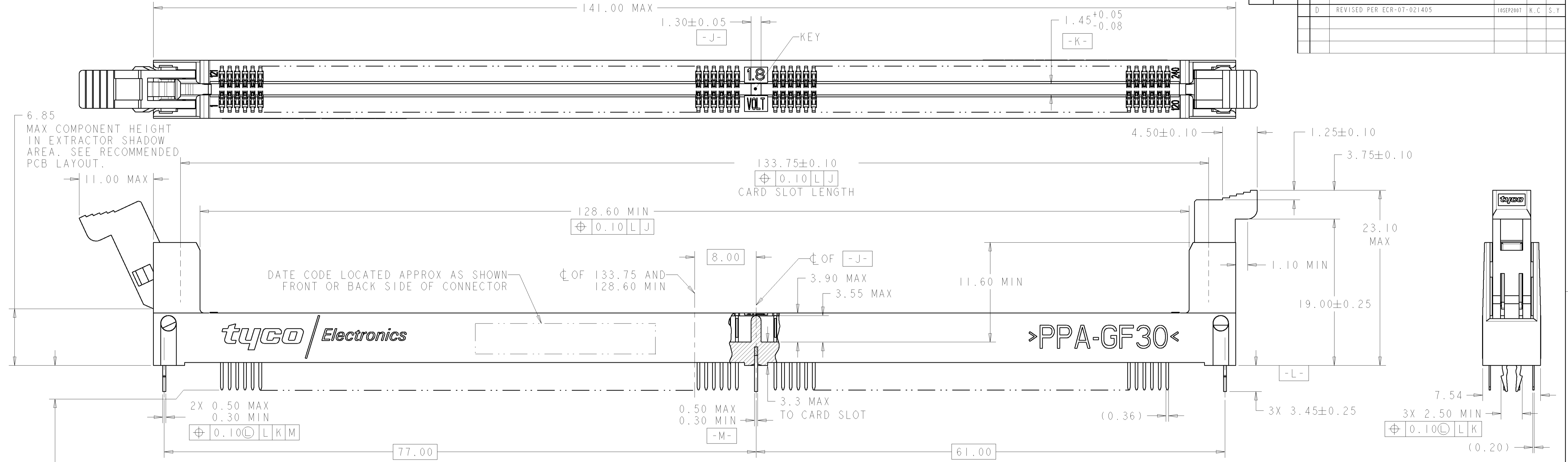
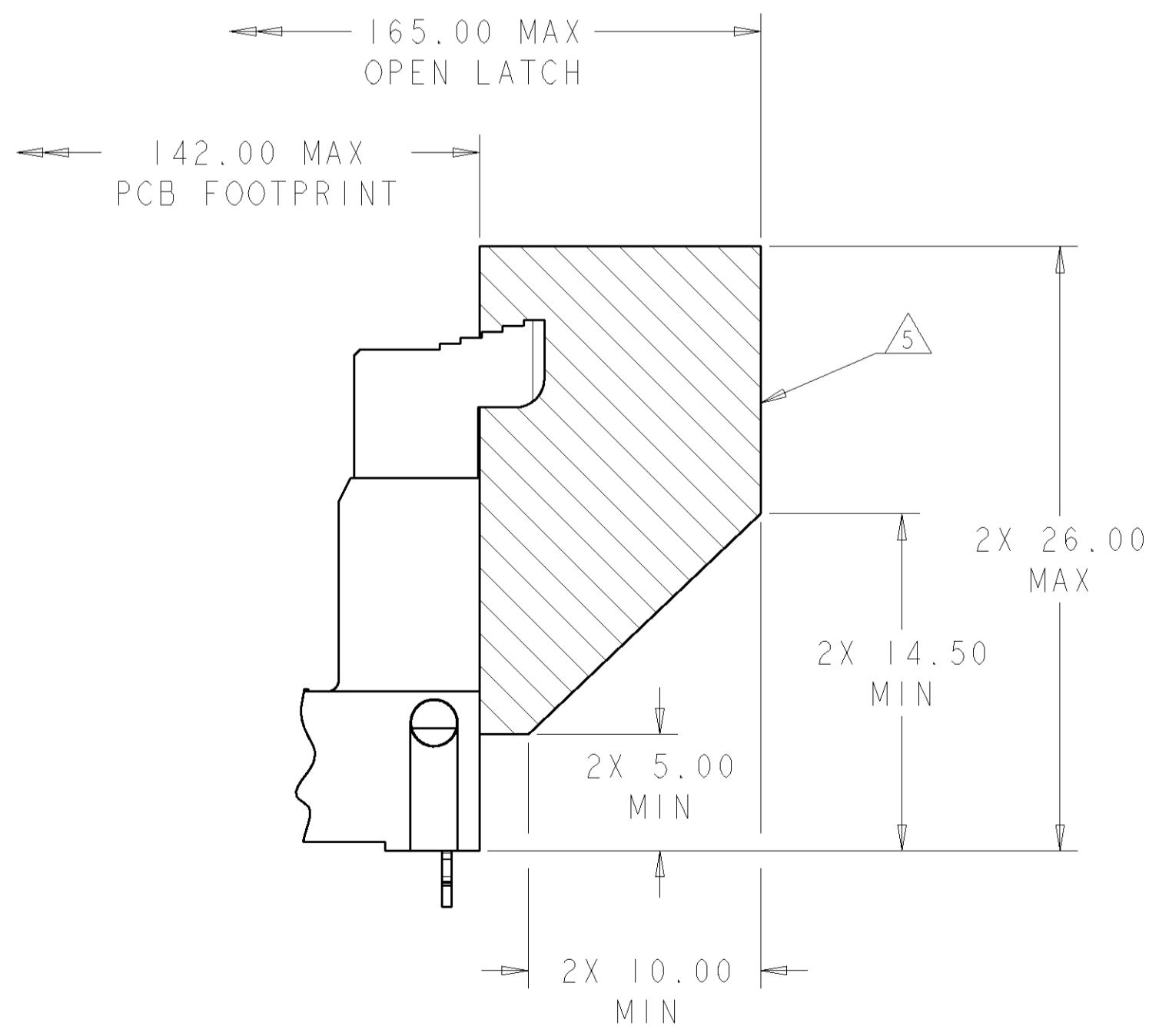


LOC	DIST	REV	DESCRIPTION	DATE	DWN	APVD
ES	00	D	REVISED PER ECR-07-021405	10SEP2007	K.C	S.Y



- 2.67±0.25 FOR 1.60 (.063") THK PCB
- 3.18±0.25 FOR 2.36 (.093") THK PCB
- 4.00±0.25 FOR 3.18 (.125") THK PCB



- MATERIALS:**
- HOUSING: HIGH TEMPERATURE NYLON, UL94 V-0
 - EXTRACTOR: HIGH TEMPERATURE THERMOPLASTIC
 - CONTACTS: COPPER ALLOY
 - RETENTION BARB: BRASS, TIN PLATED
- INTERFACE FINISH:**
- (1) 0.00076 MIN THK GOLD OVER 0.00127 MIN THK NICKEL
 - (2) 0.00038 MIN THK GOLD OVER 0.00127 MIN THK NICKEL
 - (3) 0.00008 MIN THK GOLD OVER 0.00127 MIN THK NICKEL
- FINISHED HOLE SIZE:** 0.15 MAXIMUM ANNULAR RING.
- KEEP OUT ZONE.**
- KEEP OUT AREA RESERVED FOR SOCKET EXTRACTORS, BOTH ENDS.**
- SOLDERTAIL FINISH:** 0.00300 MIN THK MATTE TIN OVER 0.00127 MIN THK NICKEL.
- DATUM -G- IS CONNECTOR SIDE SURFACE OF PCB.**
8. COMPLIES WITH JEDEC SO-003.

EXTRACTOR COLOR	HOUSING COLOR	CONTACT GOLD INTERFACE	TAIL LENGTH	PART NUMBER
NATURAL	NATURAL	0.00076 MIN (30µ")	3.18	2-1761845-9
	BLUE	0.00038 MIN (15µ")	2.67	2-1761845-8
BLACK	BLUE	0.00076 MIN (30µ")	4.00	2-1761845-7
			4.00	2-1761845-6
	BLACK	0.00076 MIN (30µ")	3.18	2-1761845-5
NATURAL	BLACK	0.00076 MIN (30µ")	2.67	2-1761845-4
			4.00	2-1761845-3
	BLACK	0.00076 MIN (30µ")	3.18	2-1761845-2
NATURAL	BLUE	0.00076 MIN (30µ")	2.67	2-1761845-1
			4.00	2-1761845-0
	BLACK	0.00076 MIN (30µ")	3.18	1-1761845-9
NATURAL	BLACK	0.00076 MIN (30µ")	4.00	1-1761845-8
			2.67	1-1761845-7
	BLACK	0.00076 MIN (30µ")	3.18	1-1761845-6
BLACK	BLACK	0.00038 MIN (15µ")	4.00	1-1761845-5
			3.18	1-1761845-4
	NATURAL	0.00038 MIN (15µ")	2.67	1-1761845-3
NATURAL	NATURAL	0.00038 MIN (15µ")	4.00	1-1761845-2
			3.18	1-1761845-1
	BLACK	0.00038 MIN (15µ")	2.67	1-1761845-0
NATURAL	BLACK	0.00008 MIN (3µ", FLASH)	4.00	1761845-9
			3.18	1761845-8
	BLACK	0.00008 MIN (3µ", FLASH)	2.67	1761845-7
NATURAL	BLACK	0.00038 MIN (15µ")	4.00	1761845-6
			3.18	1761845-5
	BLACK	0.00038 MIN (15µ")	2.67	1761845-4
EXTRACTOR COLOR	HOUSING COLOR	CONTACT GOLD INTERFACE	4.00	1761845-3
			3.18	1761845-2
	BLACK	0.00008 MIN (3µ", FLASH)	2.67	1761845-1

THIS IS A CUSTOMER DRAWING. IT IS SUBJECT TO CHANGE AND THE CUSTOMER'S RESPONSIBILITY TO VERIFY THE DIMENSIONS AND SPECIFICATIONS OF THE PARTS TO BE USED IN THE ASSEMBLY.

DATE: 06APR2005
 DWN: D. RINGLER
 CHK: M. CORRELL
 APVD: 06APR2005

PRODUCT SPEC: 108-2256
 APPLICATION SPEC: 114-13154

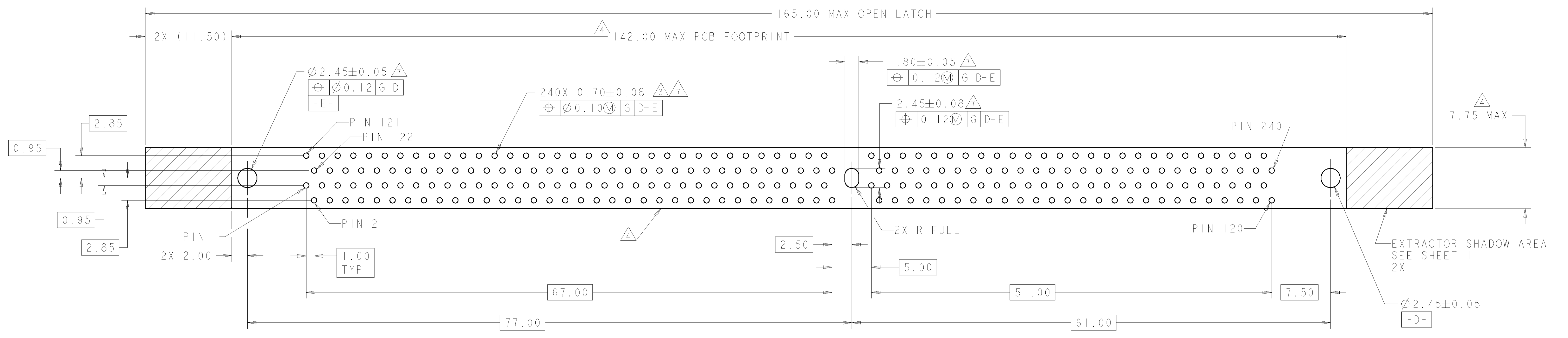
SIZE: 114-13154
 WEIGHT: -
 CUSTOMER DRAWING

Tyco Electronics Corporation
 SH/CN GuiPing RD 668#

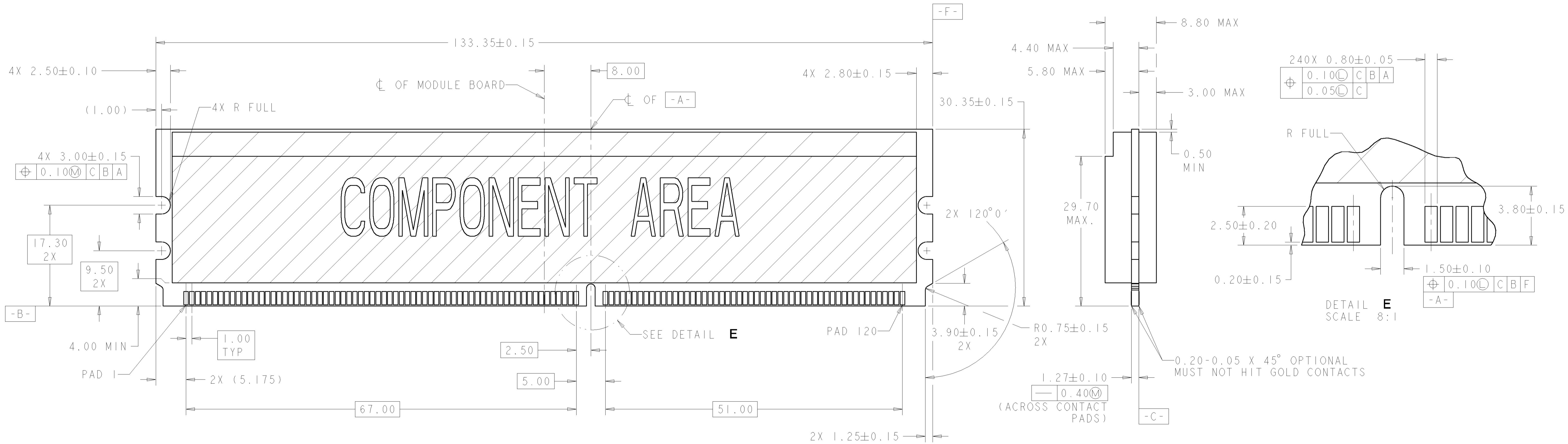
SOCKET ASSEMBLY, VERTICAL FB DIMM, SOLDER TAIL, 240 POSITION

SCALE: 4:1 SHEET 1 OF 2 REV D

LOC	DIST	REV	DESCRIPTION	DATE	BY	APPD
ES	00		SEE SHEET 1			



RECOMMENDED PCB LAYOUT
 VIEWED FROM CONNECTOR SIDE



RECOMMENDED MODULE LAYOUT
 SCALE 3:1
 NOTE: REFER TO JEDEC MO-256 FOR COMPLETE MODULE DETAILS

<small>THIS DRAWING IS UNPUBLISHED. RELEASED FOR PUBLICATION BY TYCO ELECTRONICS CORPORATION. ALL RIGHTS RESERVED.</small>		DWN: D. RINGLER 06APR2005 CHW: M. CORRELL 06APR2005 APVD: M. ROWERS 06APR2005	Tyco Electronics Corporation SH/CN GuiPing RD 668#
DIMENSIONS: mm 	TOLERANCES UNLESS OTHERWISE SPECIFIED: 0 PLC ±0.5 1 PLC ±0.13 3 PLC ±0.013 4 PLC ±0.001 ANGLES ±0.001	NAME: SOCKET ASSEMBLY, VERTICAL FB DIMM, SOLDER TAIL, 240 POSITION PRODUCT SPEC: 108-2256 APPLICATION SPEC: 114-13154 WEIGHT: - FINISH: -	SIZE: A1 CAGE CODE: 00779 DRAWING NO: 1761845 SCALE: 1:1 SHEET: 2 OF 2 REV: D
MATERIAL: -		CUSTOMER DRAWING	