



User's Guide

D0106LT-43-0601

VFD- **RoHS Compliant**

(Vacuum Fluorescent Display)

For product support, contact

Newhaven Display International
2511 Technology Drive, #101
Elgin, IL 60124

Tel: (847) 844-8795 Fax: (847) 844-8796

February 21, 2008

Vacuum Fluorescent Display Specification

PART NUMBER: **D0106LT-43-0601**

FEATURES: 6 Digits – Seven Segmented, with Decimal points, commas, underscores

APPLICATION: Character Display- (7-Seg)

RATINGS: Below

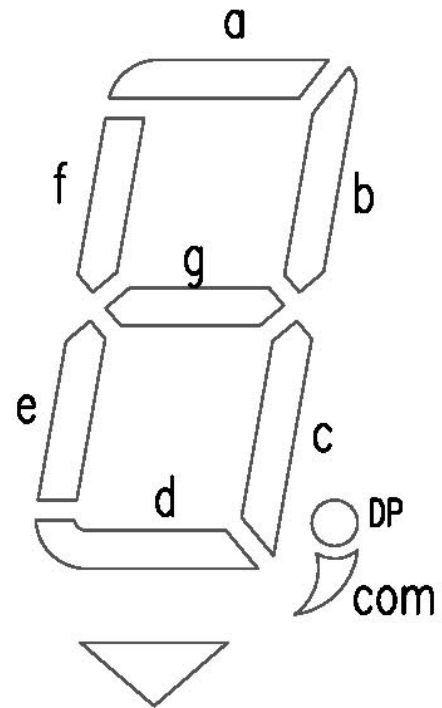
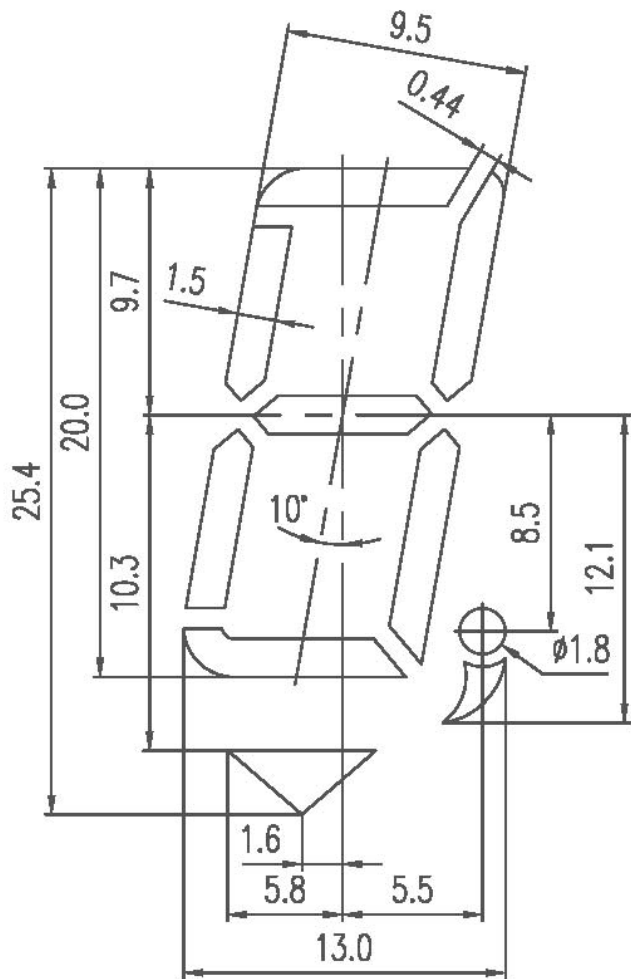
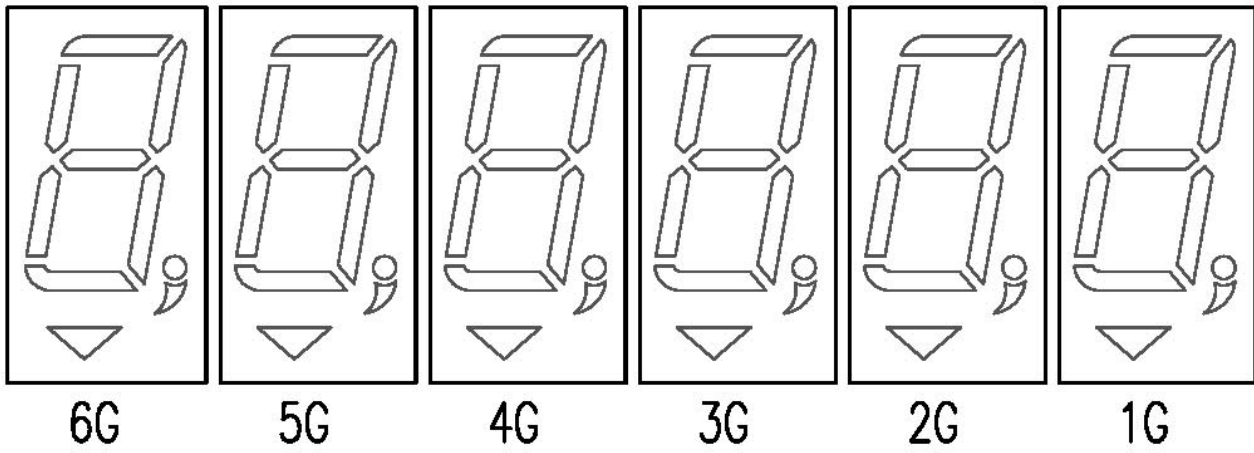
Outer Dimensions	Panel Length	P.L.	130.0	mm	
	Panel Height	P.H.	43.0	mm	
	Panel Thickness	P.T.	8.5	mm	
Leads	Lead Pitch	L.P.	2.54	mm	
	Lead Out	-	SIL		
Character Size	Character Height	C.H.	20.0	mm	
	Character Width	C.W.	9.5	mm	
Item	Symbol	Min.	Recommended	Max.	Unit
Filament Voltage	Ef	4.0	4.4	4.8	Vac
Peak Grid Voltage	ec	-	34.0	40.0	Vp-p
Peak Anode Voltage	eb	-	34.0	40.0	Vp-p
Cut-off Bias	Ek	-	0	-	Vdc
Duty Cycle	Du	-	1/8	-	-
Pulse Width	tp	-	100	-	uS
Operating Temperature	Topr	-20	-	+ 70	C
Storage Temperature	Tstg	-55	-	+ 80	C
Color of Illumination	Green				

**Electrical
Characteristics**

Item	Symbol	Test Condition	Min.	Typical	Max.	Unit
Filament Current	if	Ef = 4.4 Vac	180.0	200.0	220.0	mAac
	-	eb = ec = 0	-	-	-	-
Anode Current	ib / 1~6G	Ef = 4.4 Vac	-	15.0	30.0	mAp-p
	-	eb = 34.0 Vp-p	-	-	-	-
	-	ec = 34.0 Vp-p	-	-	-	-
	-	Du = 1/8	-	-	-	-
	-	tp = 100uS	-	-	-	-
Grid Current	ic / 1~6G	(All segs are ON)	-	18.0	36.0	mAp-p
	-		-	-	-	-
	-		-	-	-	-
	-		-	-	-	-
	-		-	-	-	-
Luminance	L(G)		686	1372	-	cd/m ²
			(200)	(400)		fL
Luminance Ratio	Lmin/Lmax		50	-	-	%
Grid Cut-off Voltage	Ecco	Ef = 4.4 Vac Eb = 34.0 Vdc	-6.0	-	-	Vdc
Anode Cut-off Voltage	Ebco	Ef = 4.4 Vdc ec = 34.0 Vp-p Du = 1/8 Tp = 100uS	-4.0	-	-	Vdc

DRIVE MODE: Dynamic State

2: Grid Assignment:



3: Pin Assignment:

	6G	5G	4G	3G	2G	1G
P1	a	a	a	a	a	a
P2	b	b	b	b	b	b
P3	c	c	c	c	c	c
P4	d	d	d	d	d	d
P5	e	e	e	e	e	e
P6	f	f	f	f	f	f
P7	g	g	g	g	g	g
P8	DP	DP	DP	DP	DP	DP
P9	com	com	com	com	com	com
P10	▽	▽	▽	▽	▽	▽