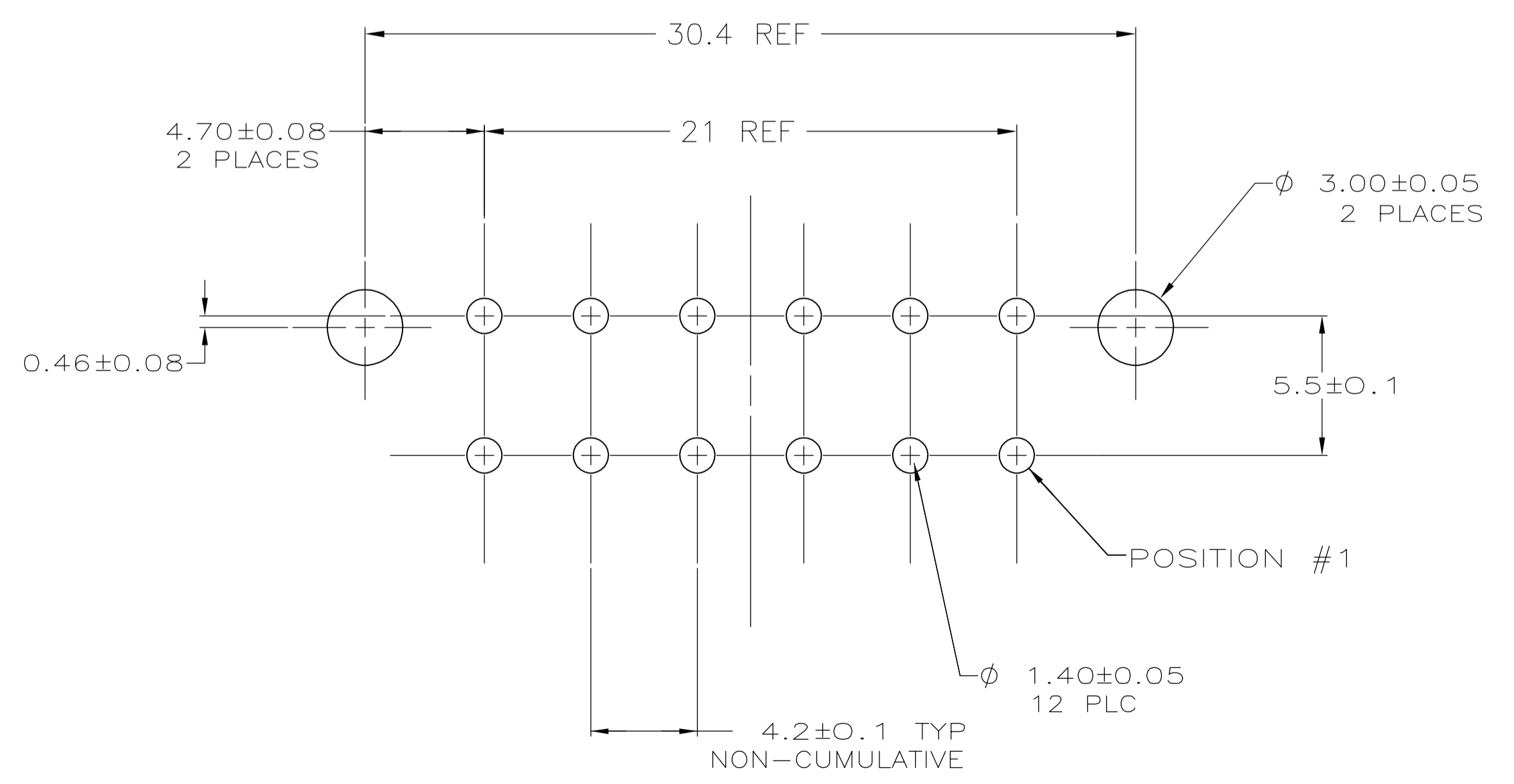
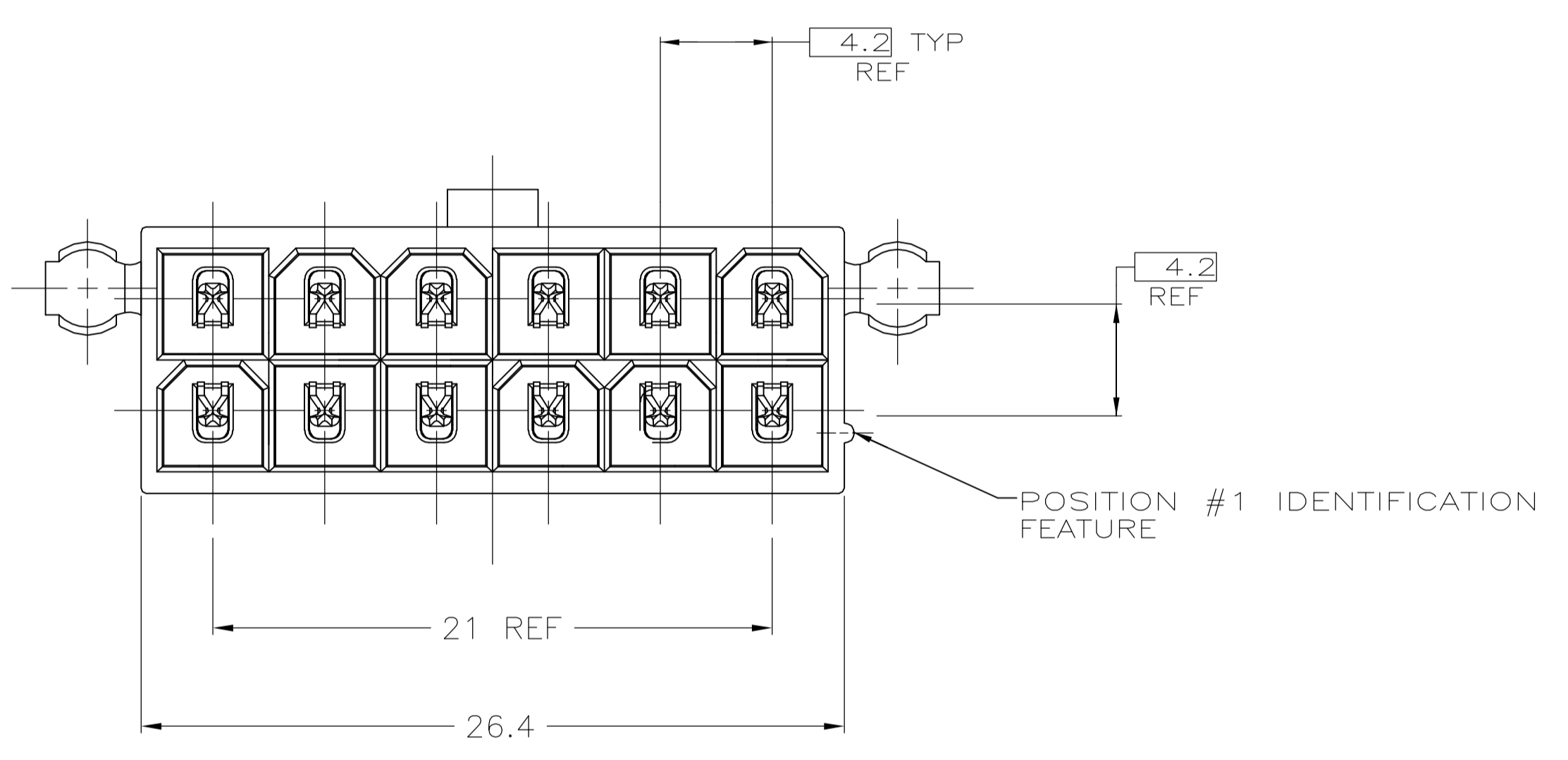
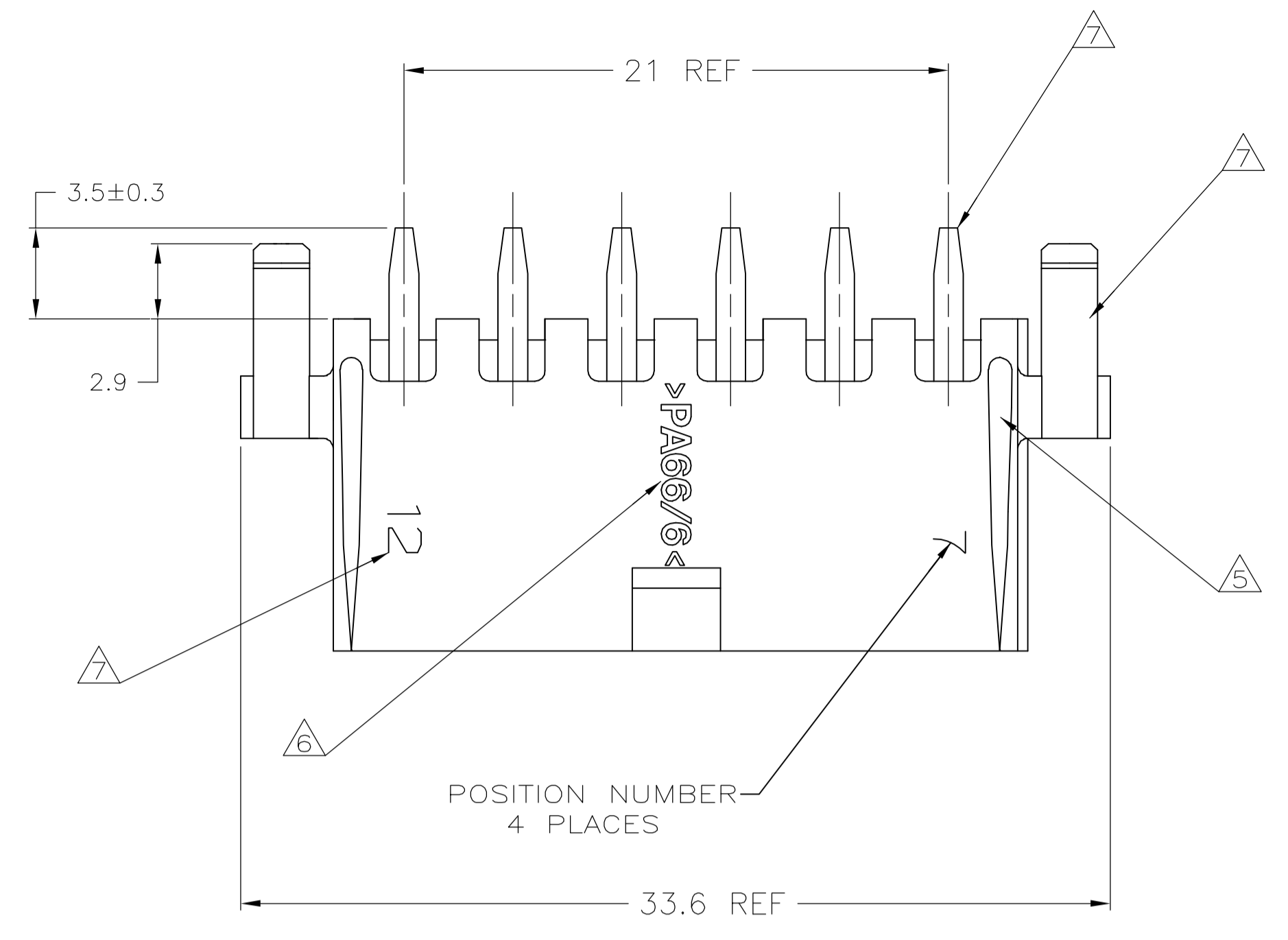
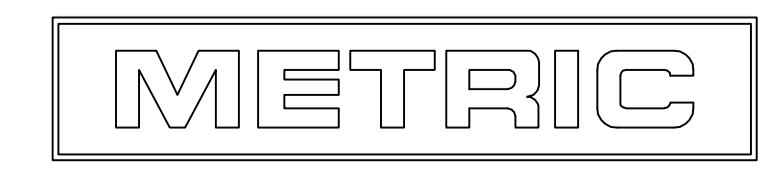
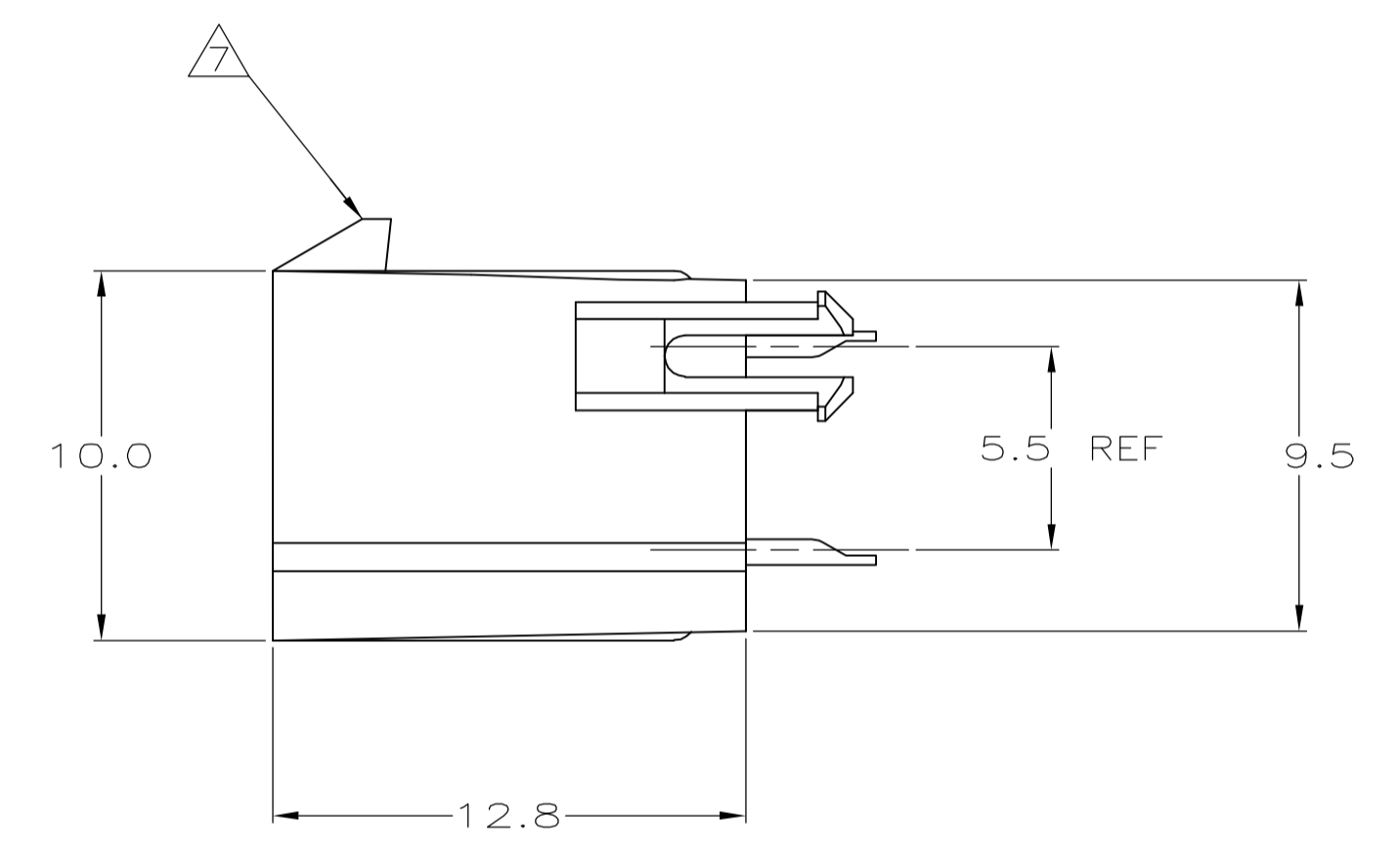


LOC		DIST		REVISIONS			
CM	00	REV	DATE	BY	APP'D	DATE	BY
A		1	RELEASED PER ECO-06-022135	25SEP06	KW	DC	



RECOMMENDED MOUNTING HOLE PATTERN FOR 1.78 MAX THICK P.C. BOARD COMPONENT SIDE SHOWN

- △ MATERIAL: HOUSING - NYLON, UL94V-0 (COLOR - WHITE, COLOR OF PARTS MAY VARY). CONTACTS - 0.25 THK COPPER ALLOY.
- △ CONTACT FINISH: 0.003 MIN THK TIN OVER 0.00127 MIN THK NICKEL OVER ENTIRE CONTACT.
- 3. SOLDER TAIL MEETS AMP SOLDERABILITY SPECIFICATION 109-11-2.
- 4. MATES WITH SIMILARLY PLATED AMP-DUAC™ POWER CONNECTOR RECEPTACLE HOUSINGS/SOCKET CONTACTS.
- △ RIBS ON FOUR CORNERS OPTIONAL.
- △ AMP LOGO AND MATERIAL ID MAY BE LOCATED ON EITHER LONG SIDE OF PART.
- △ SIZE, SHAPE OR STYLE OF THIS FEATURE MAY VARY.



THIS DRAWING IS A CONTROLLED DOCUMENT.		DWN K. WHITAKER 21JUNE2006	 Tyco Electronics Corporation Harrisburg, PA 17105-3608
DIMENSIONS: mm		CHK D. COLEY 21JUNE2006	
TOLERANCES UNLESS OTHERWISE SPECIFIED:		APP'D D. COLEY 21JUNE2006	NAME
0 PLC ± - 1 PLC ± 0.2 2 PLC ± 0.13 3 PLC ± - 4 PLC ± - ANGLES ± 0.30°		PRODUCT SPEC 108-1699	ASSEMBLY, HEADER, VERTICAL, TIN PLATED, W/PEGS, W/O DRAIN HOLES, 94V-0,SPECIAL,AMP-DUAC
MATERIAL △ 1		FINISH △ 2	RESTRICTED TO
CUSTOMER DRAWING		SIZE A1	SCALE 5:1 SHEET 1 OF 1 REV A

12	1586784-1
NO. OF POSITIONS	PART NO