

PART NO.	ENG. NO.	LENGTH
1300062363	104001K12M020	6FT 7IN [2M]
1300062616	104001K12M030	9FT 10IN [3M]
1300069046	104001K12M050	16 FT 5IN [5M]
1300069047	104001K12M100	32FT 10IN [10M]
1300069048	104001K12M200	65 FT 7IN [20M]
1300069049	104001K12M300	98FT 5IN [30M]

104001K12M020

LENGTH
M001 = .1 METERS
M010 = 1.0 METERS
M100 = 10 METERS

© PART NUMBER LEGEND

NOTES:

- MATERIAL: AS NOTED
- FINISH: AS NOTED
- ELECTRICAL:
VOLTAGE PER IEC60664: 483V
600V PER UL 2238
CURRENT: 10A
- TEMP RATING: -25° TO +90°C
- PROTECTION: IP67 (WHEN MATED)
- COUPLING THREAD: 7/8-16 UN
- UL LISTED FILE: E152210
- ALL DIMS ARE FOR REFERENCE UNLESS TOLERANCED OR NOTED OTHERWISE

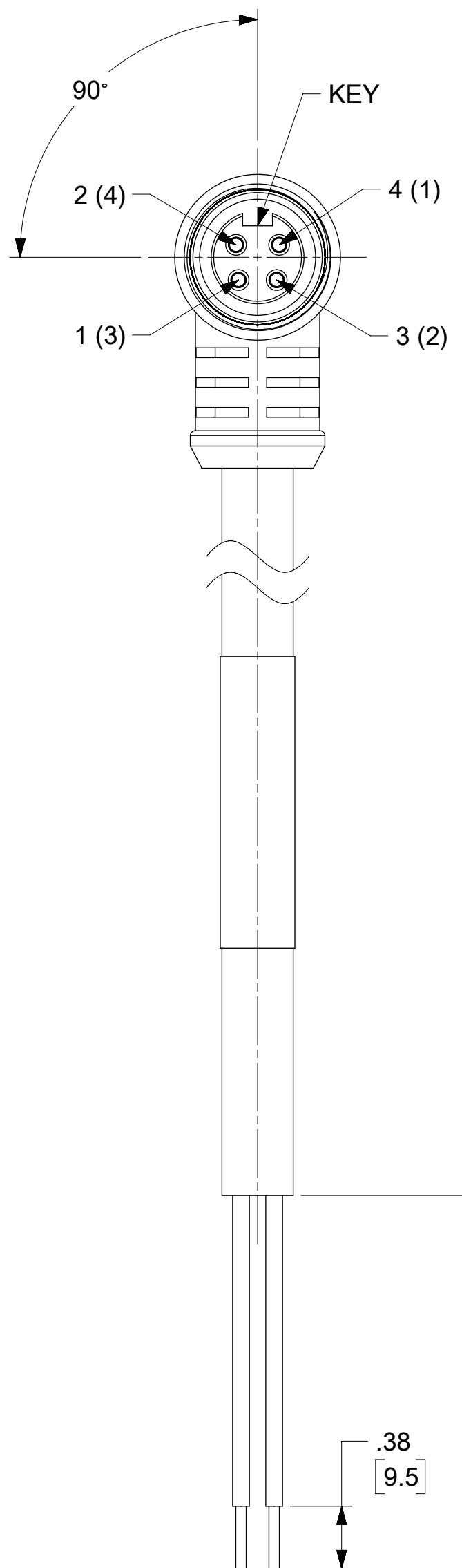
© CABLE FLEX CHARACTERISTICS

TORSIONAL FLEX TEST	20 MILLION CYCLES PER MIL-C-13777G
BEND FLEX TEST	20 MILLION CYCLES PER MIL-C-13777G
WELD SLAG RESISTANCE	WOODHEAD STANDARD S-300

7	WRAP LABEL	VINYL	BLACK/YELLOW
6	OVERMOLD (90 DEG)	TPE	TPE
5	COUPLING	ZINC DIE-CAST	BLACK E-COAT
4	FRICTION RING	NYLON	WHITE
3	CONTACT SOCKET	Cu ALLOY	GOLD PLATED
2	INSERT, 4P, FEMALE	TPE	YELLOW
1	CABLE, 16/4, FLEX	TPE JACKET	YELLOW
ITEM	DESCRIPTION	MATERIAL	FINISH

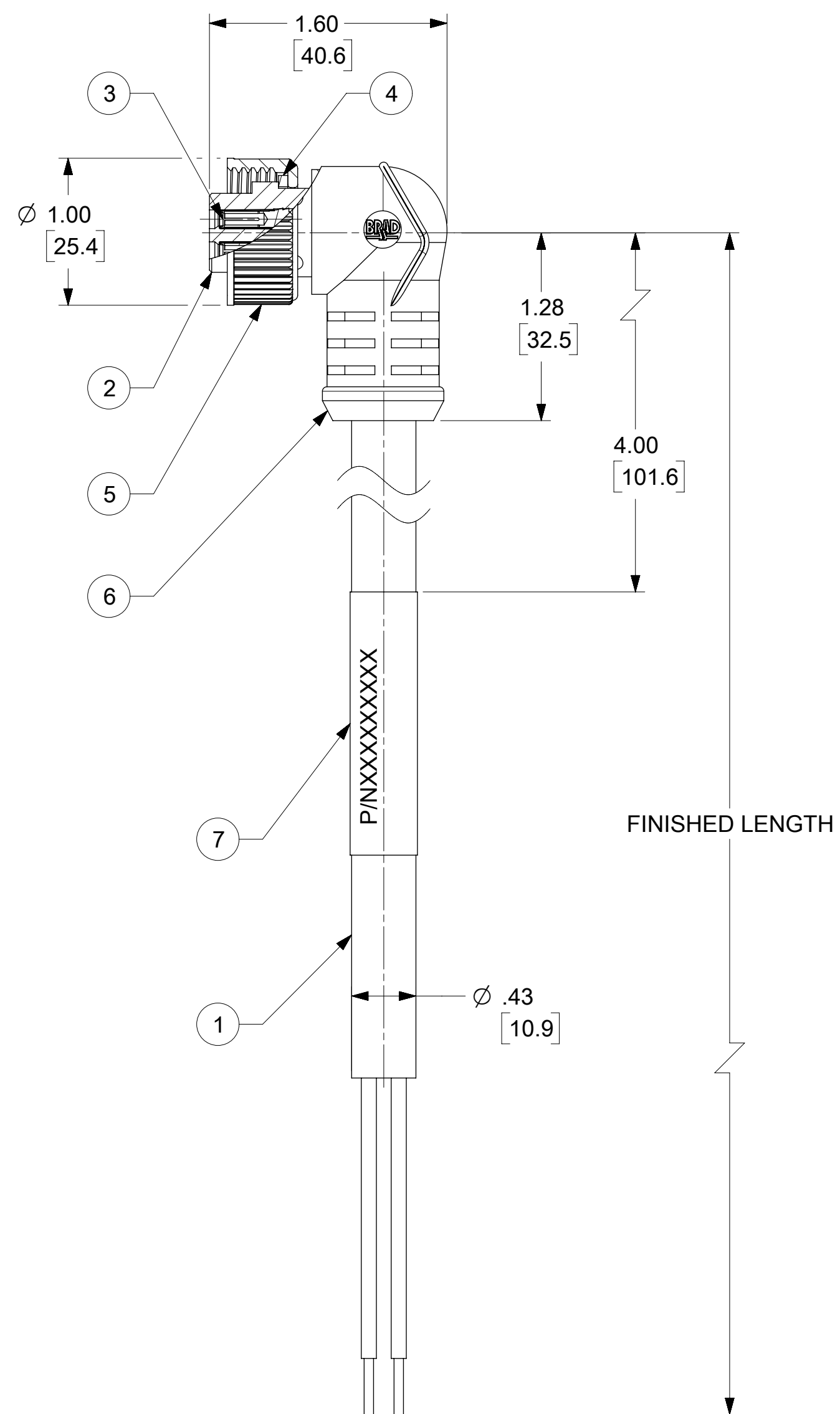
© CABLE LENGTH TOLERANCES

<.3M [1FT]: +19mm-0 [+1.75in-0]
.3 - .9M [1 - 3FT]: +44.5mm-0 [+1.75in-0]
.9 - 1.8M [3 - 6FT]: +55.6mm-0 [+2.19in-0]
1.8 - 3.7M [6 - 12FT]: +88.9mm-0 [+3.50in-0]
3.7 - 7.3M [12 - 24FT]: +165.1mm-0 [+6.50in-0]
7.3-14.6M [24 - 48FT]: +317.5mm-0 [+12.50in-0]
14.6 - 30.5M [48-100FT]: +622.3mm-0 [+24.50in-0]
OVER 30M [100FT] +2% OF FINISHED LENGTH



- (1) 4 - BLACK
- (2) 3 - BLUE
- (3) 1 - BROWN
- (4) 2 - WHITE

CENELEC 50 004
SAE-J-1738A SHOWN
IN (X) PARENTHESIS



FUNCTIONAL SYMBOLS	DIMENSION UNITS	SCALE	THIS DRAWING CONTAINS INFORMATION THAT IS PROPRIETARY TO MOLEX ELECTRONIC TECHNOLOGIES, LLC AND SHOULD NOT BE USED WITHOUT WRITTEN PERMISSION					
$\nabla_A = 0$	INCH/MM	1.25:1	CURRENT REV DESC: REDRAWN TO NX UPDATE NOTES, ADD BOM TABLE, CABLE LENGTH TOLS, P/N LEGEND VOLTAGE WAS 10A, TEMP WAS 105°, ADD FLEX RATING, NEW P/N 1300062616					
$\nabla_E = 0$	GENERAL TOLERANCES (UNLESS SPECIFIED)		EC NO: 693841					
$\nabla_P = 0$	ANGULAR TOL ± °		DRWN: RSTONE 2022/01/26					
	4 PLACES	±	CHK'D: CCHRASKA 2022/01/31					
	3 PLACES	±	APPR: BWOODMAN 2022/02/09					
	2 PLACES	±	INITIAL REVISION:					
	1 PLACE	±	DRWN: GGUSTAFS 2013/10/04					
	0 PLACES	±	APPR: BWOODMAN 2013/11/12					
DRAFT WHERE APPLICABLE MUST REMAIN WITHIN DIMENSIONS		THIRD ANGLE PROJECTION	DRAWING	SERIES	DOCUMENT NUMBER	DOC TYPE	DOC PART	REVISION
			C-SIZE	130006	SD-130006-064	PSD	001	C
			MATERIAL NUMBER	CUSTOMER	SHEET NUMBER			
			SEE P/N LEGEND	GENERAL MARKET	1 OF 1			