

1-353293-3 ✓ ACTIVE

AMP Mini CT

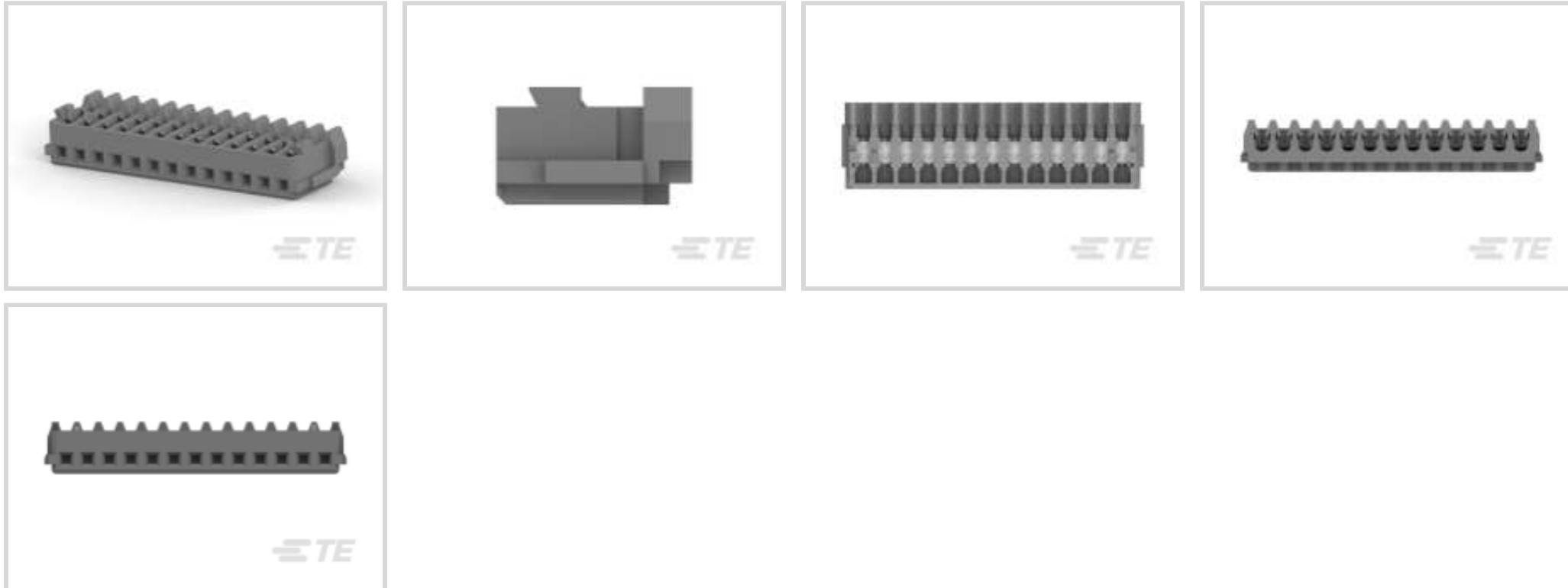
TE Internal #: 1-353293-3

Connector Assembly, Receptacle, Wire-to-Board, 13 Position, .06 in [1.5 mm] Centerline, Insulation Displacement (IDC), 1 Row, Natural, AMP Mini CT

[View on TE.com >](#)



Connectors > PCB Connectors > Wire-to-Board Connectors > Wire-to-Board Connector Assemblies & Housings



Connector Product Type: **Connector Assembly**

Connector & Housing Type: **Receptacle**

Connector System: **Wire-to-Board**

Number of Positions: **13**

Centerline (Pitch): **1.5 mm [ .06 in ]**

### Features

#### Product Type Features

Connector Product Type	Connector Assembly
Connector & Housing Type	Receptacle
Connector System	Wire-to-Board
Sealable	No
Connector & Contact Terminates To	Wire & Cable

#### Configuration Features

Number of Positions	13
Number of Rows	1

#### Body Features

Primary Product Color	Natural
-----------------------	---------

#### Contact Features

Contact Current Rating (Max)	2 A
------------------------------	-----

#### Termination Features

--	--



Termination Method to Wire & Cable	Insulation Displacement (IDC)
------------------------------------	-------------------------------

### Mechanical Attachment

Mating Retention Type	Lock
Mating Retention	With
Connector Mounting Type	Cable Mount (Free-Hanging)

### Housing Features

Centerline (Pitch)	1.5 mm [.06 in]
--------------------	-----------------

### Usage Conditions

Operating Temperature Range	-30 – 105 °C [-22 – 221 °F]
-----------------------------	-----------------------------

### Operation/Application

Circuit Application	Power & Signal
---------------------	----------------

## Product Compliance

[For compliance documentation, visit the product page on TE.com>](#)

EU RoHS Directive 2011/65/EU	Compliant
EU ELV Directive 2000/53/EC	Compliant
China RoHS 2 Directive MIIT Order No 32, 2016	No Restricted Materials Above Threshold
EU REACH Regulation (EC) No. 1907/2006	Current ECHA Candidate List: JUNE 2023 (235) Candidate List Declared Against: JAN 2023 (233) Does not contain REACH SVHC
Halogen Content	Not Low Halogen - contains Br or Cl > 900 ppm.
Solder Process Capability	Not applicable for solder process capability

#### Product Compliance Disclaimer

This information is provided based on reasonable inquiry of our suppliers and represents our current actual knowledge based on the information they provided. This information is subject to change. The part numbers that TE has identified as EU RoHS compliant have a maximum concentration of 0.1% by weight in homogenous materials for lead, hexavalent chromium, mercury, PBB, PBDE, DBP, BBP, DEHP, DIBP, and 0.01% for cadmium, or qualify for an exemption to these limits as defined in the Annexes of Directive 2011/65/EU (RoHS2). Finished electrical and electronic equipment products will be CE marked as required by Directive 2011/65/EU. Components may not be CE marked. Additionally, the part numbers that TE has identified as EU ELV compliant have a maximum concentration of 0.1% by weight in homogenous materials for lead, hexavalent chromium, and mercury, and 0.01% for cadmium, or qualify for an exemption to these limits as defined in the Annexes of Directive 2000/53/EC (ELV). Regarding the REACH Regulation, the information TE provides on SVHC in articles for this part number is based on the latest European Chemicals Agency (ECHA) 'Guidance on requirements for substances in articles' posted at this URL: <https://echa.europa.eu/guidance-documents/guidance-on-reach>

## Compatible Parts



TE Part # CAT-AM7017-H342  
AMP COMMON TERMINATION HEADERS



TE Part # CAT-3984552-BHTHVS  
CT Box Header SMT: Vert, Shrouded



TE Part # CAT-AM7053-H342  
MINI COMMON TERMINATION HEADERS



TE Part # CAT-3983174-PHBXHK  
CT 2mm Post Header Assembly Box H Kink



TE Part # CAT-3980407-RHDRRA  
CT 2mm Header Assembly: Right Angle



TE Part # CAT-3980655-RHAWP  
CT Relay Header Assembly: Wire-to-Panel



TE Part # 2-292227-0  
1.5 MINI CT SGL H SMT W BOSS 2



TE Part # 1-292230-8  
1.5 MINI CT SGL V SMT W/BOSS 1



TE Part # 1-292215-9  
MINI CT SGL RELAY 19P NAT



TE Part # 2-292230-0  
1.5 MINI CT SGL V SMT W/BOSS 2



TE Part # 292227-2  
1.5 MINI CT SGL H SMT W BOSS 2



TE Part # 292230-6  
1.5 MINI CT SGL V SMT W/BOSS 6



TE Part # 1-292215-3  
MINI CT SGL RELAY 13P NAT



TE Part # 1-292215-7  
MINI CT SGL RELAY 17P NAT



TE Part # 1-292230-3  
1.5 MINI CT SGL V SMT W/BOSS 1



TE Part # 1-292254-4  
CT RELAY HDR ASSY 14P NAT



TE Part # 1-292254-1  
CT RELAY HDR ASSY 11P NAT



TE Part # 292230-3  
1.5 MINI CT SGL V SMT W/BOSS 3

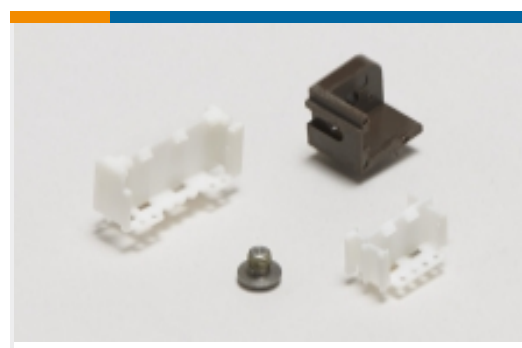


TE Part # 292254-9  
CT RELAY HDR ASSY 9P NAT

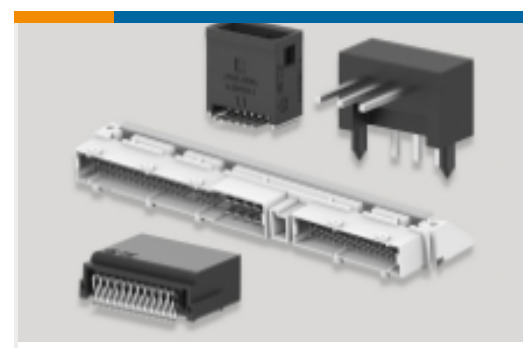


TE Part # 1-292215-8  
MINI CT SGL RELAY 18P NAT

Also in the Series | **AMP Mini CT**



PCB Connector Mounting(10)

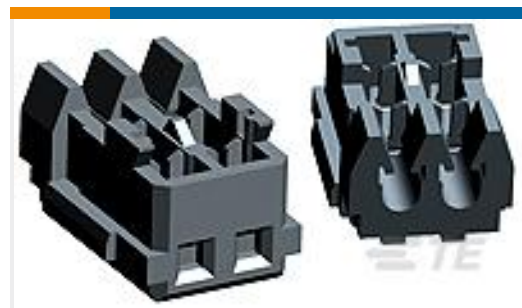


PCB Headers &amp; Receptacles(332)

Wire-to-Board Connector Assemblies  
& Housings(172)

Wire-to-Board Connector Contacts(4)

## Customers Also Bought

TE Part #1-353293-8  
MINI CT MT REC ASSY 18P GRAYTE Part #2-353294-4  
AMP MINI D/R HDR HSG 24P NATUTE Part #2-353294-6  
AMP MINI D/R HDR HSG 26P NATUTE Part #1-353293-2  
MINI CT MT REC ASSY 12P GRAYTE Part #3-353294-2  
AMP MINI D/R HDR HSG 32P NATUTE Part #3-353293-1  
1.5MM CT MT REC ASSY 11P BLACKTE Part #3-353293-5  
1.5MM CT MT REC ASSY 15P BLACKTE Part #2-353293-6  
1.5MM CT MT REC ASS'Y 6P BLACKTE Part #3-353293-7  
1.5MM CT MT REC ASSY 17P BLACKTE Part #8-292112-3  
MT REC ASSY (#26,28)

## Documents

### CAD Files

Customer View Model

[ENG\\_CVM\\_CVM\\_1-353293-3\\_K.2d\\_dxf.zip](#)

English

3D PDF

3D

Customer View Model

[ENG\\_CVM\\_CVM\\_1-353293-3\\_K.3d\\_igs.zip](#)



English

### Customer View Model

[ENG\\_CVM\\_CVM\\_1-353293-3\\_K.3d\\_stp.zip](#)

English

By downloading the CAD file I accept and agree to the [Terms and Conditions](#) of use.

### Product Specifications

#### Application Specification

English

### Product Environmental Compliance

[MD\\_1-353293-3\\_072420171244\\_dmtec](#)

English

[MD\\_1-353293-3\\_072420171244\\_dmtec](#)

English

### Instruction Sheets

#### AIR MINI PRESS FOR AMP MINI CT CONNECTOR

Japanese

[Instruction Sheet \(non U.S.\)](#)

Japanese

#### Instruction Sheet for Mini CT DC Drawer Connector SF Type

Japanese

[Instruction Sheet \(non U.S.\)](#)

English

#### 1.5mm Pitch Mini CT DC Drawer Connector SF Type

Japanese

[Instruction Sheet \(non U.S.\)](#)

Japanese

#### 1.5mm Pitch Mini CT Hybrid Drawer Connector SF Type

Japanese

[Instruction Sheet \(non U.S.\)](#)

Japanese

#### 1.5mm Pitch Mini CT Hybrid Drawer Connector Slim Type

Japanese

[Instruction Sheet \(non U.S.\)](#)

Japanese

### Agency Approvals

[UL](#)

English