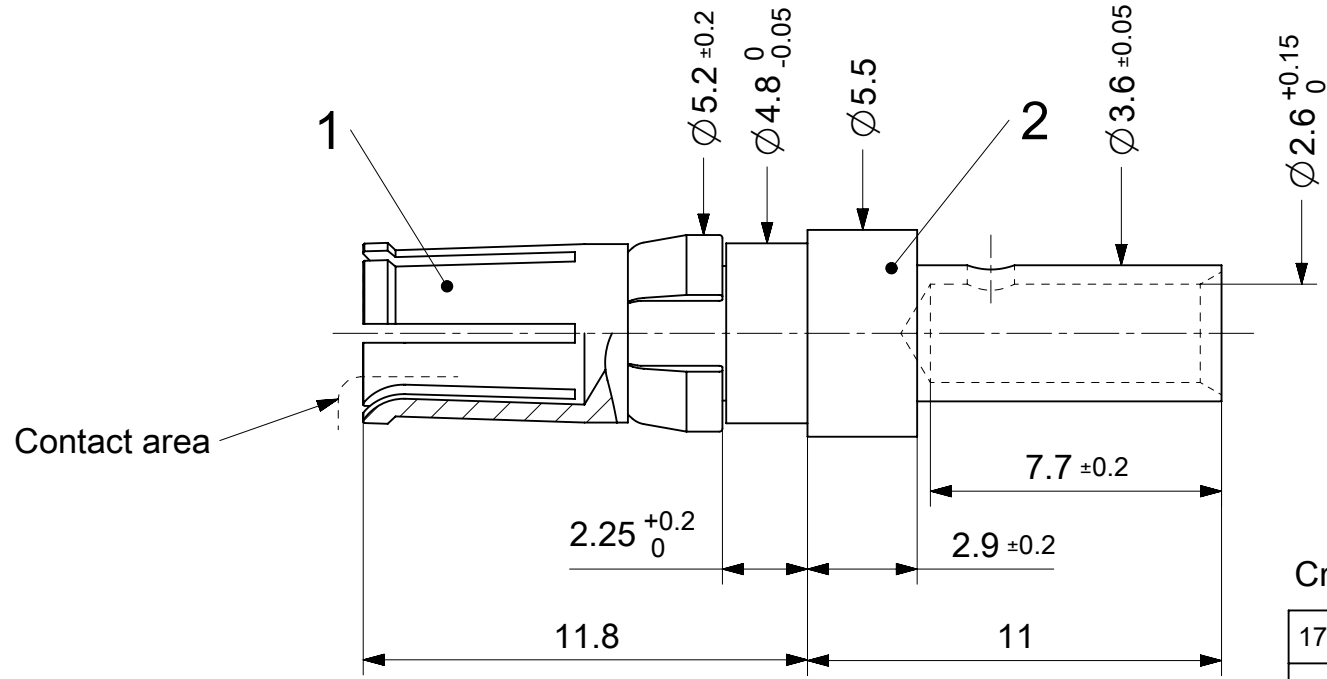


2:1



RoHS compliant  
by exemption

Crimping tools see document 2195600660

1727040151	FMP003S103	103
1727040152	FMP003S106	106
1731120669	FMP003S110	110
1731120035	FMP003S204	204
Material Number	FCT Part Number	Material + Finish See extra sheet

UNLESS OTHERWISE SPECIFIED DIMENSIONS FOR REFERENCE ONLY				REPLACEMENT FOR DOCUMENT NUMBER: FMP003S						
THIS DRAWING CONTAINS INFORMATION THAT IS PROPRIETARY TO MOLEX ELECTRONIC TECHNOLOGIES, LLC AND SHOULD NOT BE USED WITHOUT WRITTEN PERMISSION										
FUNCTIONAL SYMBOLS	DIMENSION UNITS	SCALE	CURRENT REV DESC: A24297							
$\frac{F}{A} = 0$	mm	5:1	<p>EC NO: 686737</p> <p>DRWN: VLOKESHA 2021/03/30</p> <p>CHK'D: MTEUBEL 2021/11/29</p> <p>APPR: MTEUBEL 2021/11/29</p> <p>INITIAL REVISION:</p> <p>DRWN: VLOKESHA 2021/03/30</p> <p>APPR: MTEUBEL 2021/11/29</p>							
GENERAL TOLERANCES (UNLESS SPECIFIED)										
ANGULAR TOL	±	°								
DIVISIONAL SYMBOLS										
4 PLACES	±		<p>DOCUMENT NUMBER</p> <p>1727040151</p> <p>DOC TYPE</p> <p>PSD</p> <p>DOC PART</p> <p>000</p> <p>REVISION</p> <p>A</p>							
3 PLACES	±									
2 PLACES	±									
1 PLACE	±									
0 PLACES	±		DRAFT WHERE APPLICABLE MUST REMAIN WITHIN DIMENSIONS		FIRST ANGLE PROJECTION	DRAWING	SERIES	MATERIAL NUMBER	CUSTOMER	SHEET NUMBER
			A4-SIZE	172704	SEE TABLE	GENERAL MARKET	1 OF 1			