

PART NAME: KNOB

SCALE: 1:1

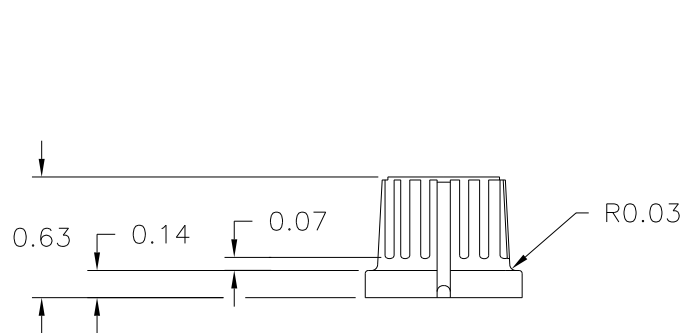
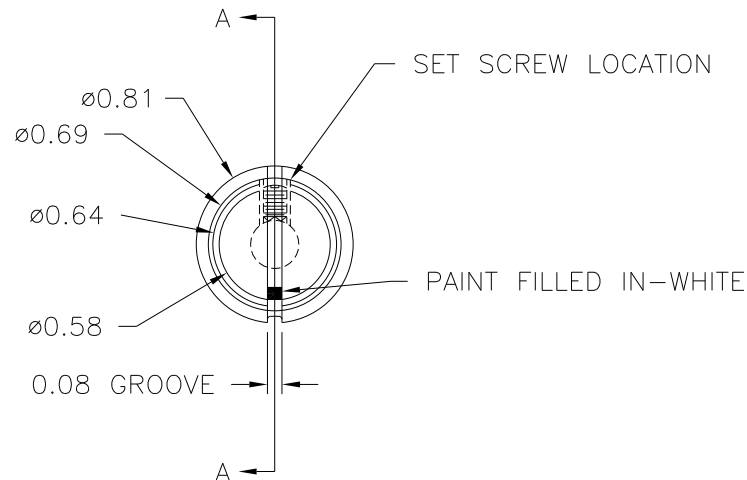
DATE: 8/10/94

DR. BY HD

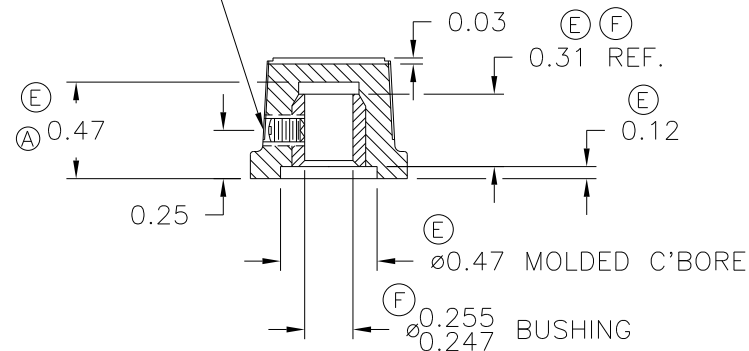
DAVIES MOLDING COMPANY
CAROL STREAM, ILLINOIS 60188

P/N 1145

THIS DRAWING IS THE PROPERTY OF DAVIES MOLDING COMPANY, IS SUBMITTED SOLELY AS A DESIGN OR ENGINEERING PROJECT.
WE ACCEPT NO RESPONSIBILITY WHATSOEVER FOR THE PRACTICAL APPLICATION OF THE PIECES MADE TO THIS DESIGN.



③ ④ ⑥
M4 X 0.7 X 4 LG.
SLOTTED TYPE SET SCREW



MATERIAL: INJ. PHENOLIC
COLOR: BLACK

③

| | | | |
|---|--|-----|-----------|
| F | 4 WAS 6 0.31 WAS 0.35 I.D. WAS 0.25 | JAM | 3/22/16 |
| E | CORRECTED DIMS, 0.47 WAS 0.50 0.35 REF. WAS 0.38 0.12 WAS 0.06 0.47 WAS 0.50 | JAM | 9/19/07 |
| D | REMOVED ALTERNATE SET SCREW | JAM | 8/6/01 |
| C | ALTERNATE WAS METRIC | JAM | 6/5/01 |
| B | WAS SOCKET | ST | 2/21/2000 |
| A | Deleted .010R Add 1/2 dim. | RP | 7/9/97 |

| | |
|---|----------------------------------|
| TOLERANCES: UNLESS OTHERWISE SPECIFIED | DO NOT SCALE DRAWING |
| DECIMALS: X.XXX ± .005 X.XX ± .015 | MM: X.XX ± 0.15MM X.X ± 0.4MM |
| FRACTIONS ± 1/64 | ANG. ± 1° |

CHANGES