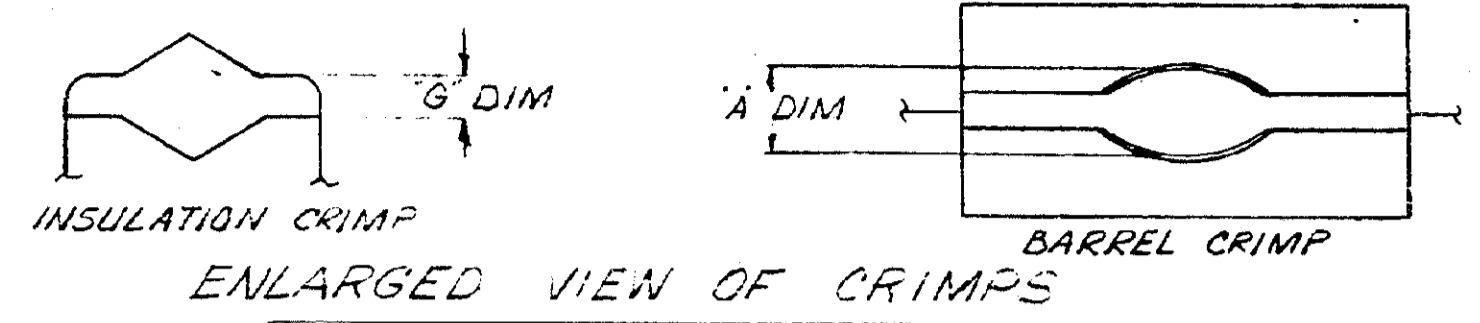
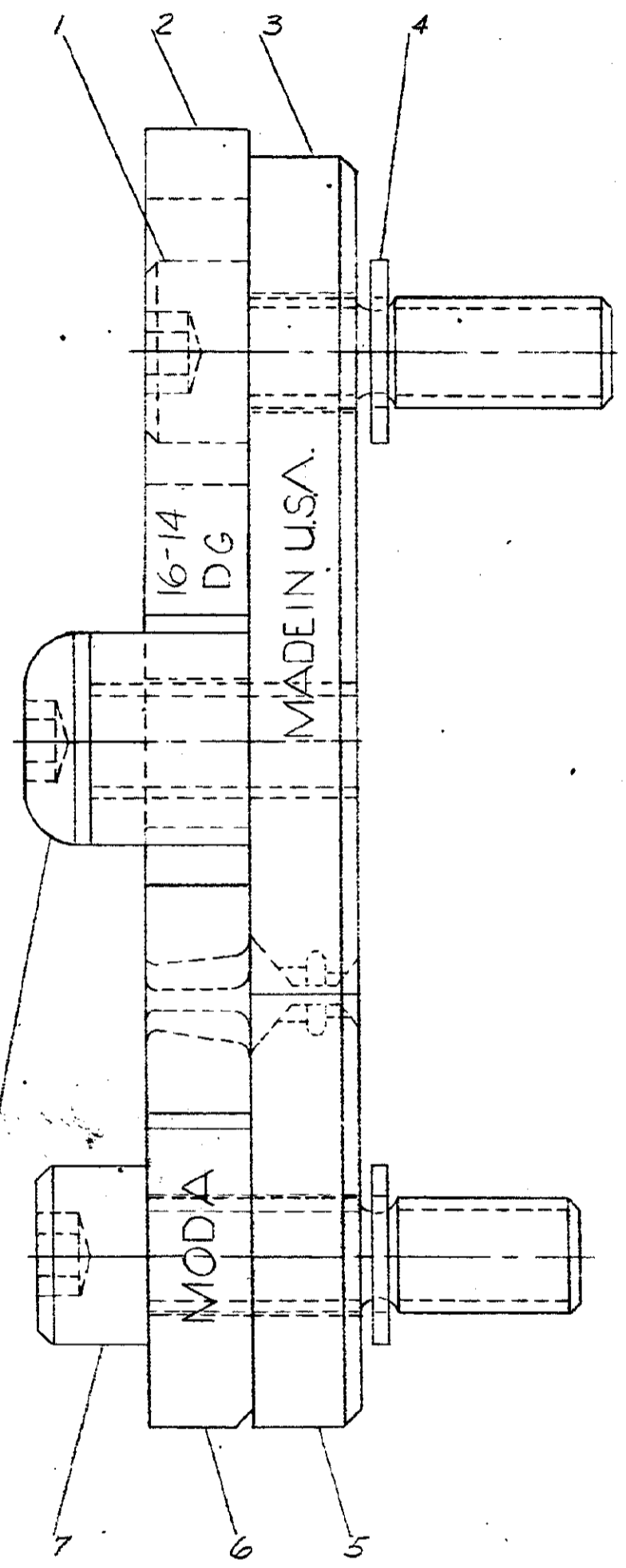
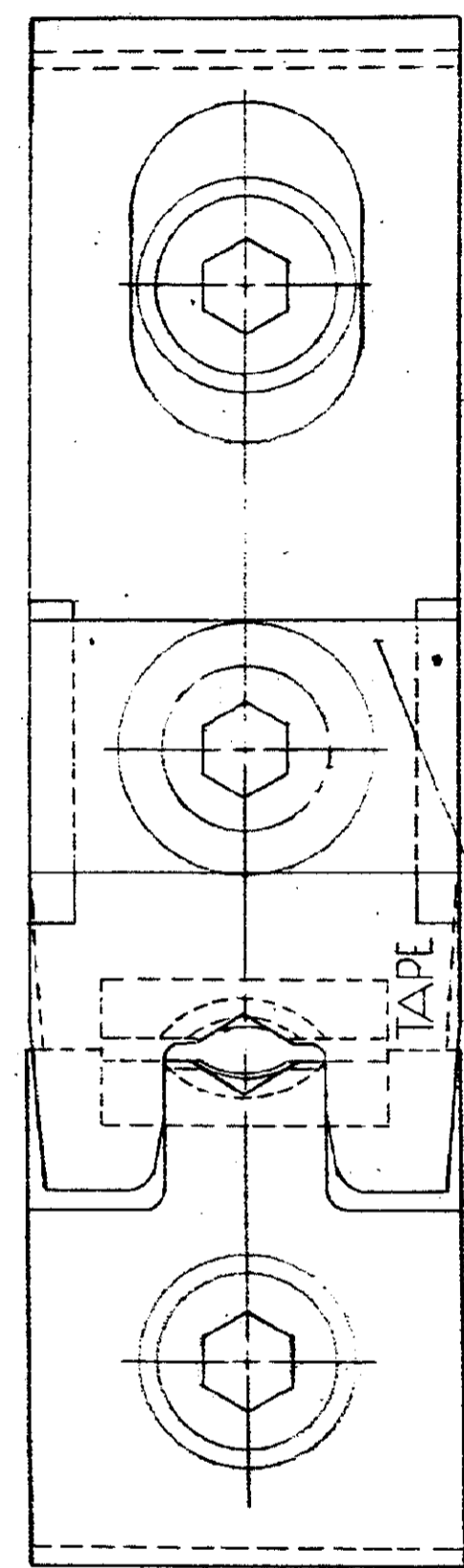


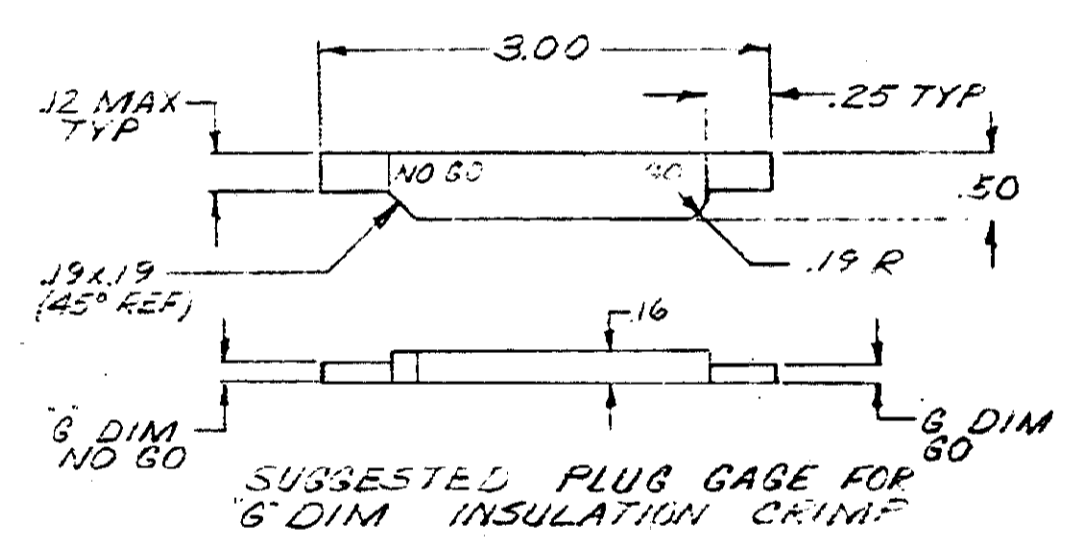
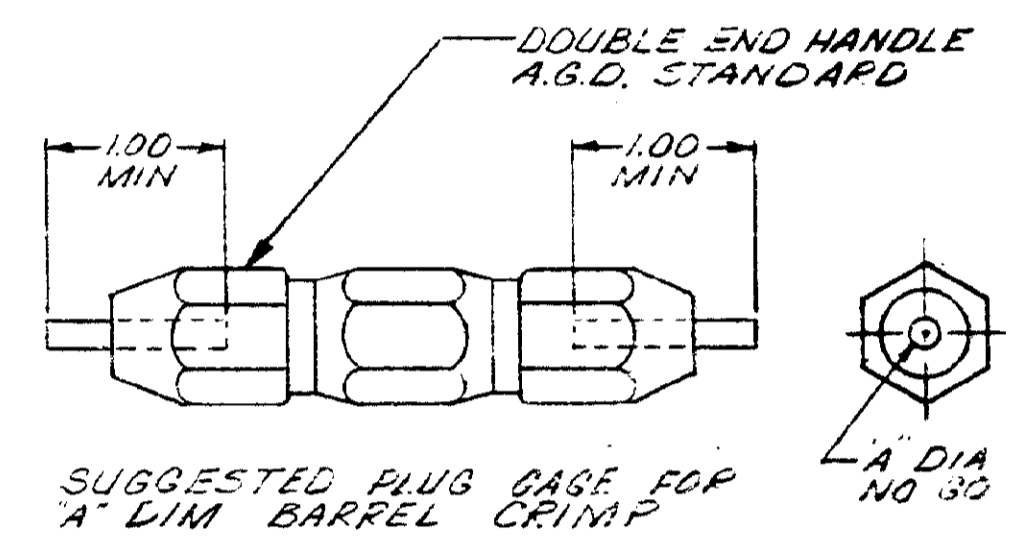
NUMBER 69904

PLUG GAGE DIMENSIONS APPLY WHEN TOOL IS BOTTOMED BUT NOT UNDER PRESSURE.



ENLARGED VIEW OF CRIMPS

G DIM AT POS #1		A DIM	
GO	NO GO	GO	NO GO
.030	.050	.080	.086



SUPERSEDED BY 15-2423

QTY	NUMBER	NAME	REMARKS	ITEM NO.
1	307275-1	SADDLE		9
1	2-59577-9	SCREW (10-32 UNF-3A x .470 LONG)		5
1	59781-6	SCREW-SPECIAL		7
1	3-59619-2	ANVIL-INSULATION		6
1	307213-2	INSERT-BARREL-LOWER		5
2	1-21046-3	RING-RETAINING		4
1	307212-2	INSERT-BARREL-UPPER		3
1	1-307285-2	INDENTER-INSULATION		2
1	59781-2	SCREW		1

REV	DATE	DESCRIPTION
1	12-17-69	AS SUP'D BY 15-2423
2	12-17-69	REVISED

REQUIRED PER ASSEMBLY

©1969 BY AMP INCORPORATED. ALL RIGHTS RESERVED. AMP PRODUCTS COVERED BY PATENTS AND/OR PATENTS PENDING.

CUSTOMER COPY REFERENCE ONLY

DR B. Shonfeld 12-17-69

CHK R. J. Jurgens 12-17-69

DE R. J. Jurgens 12-17-69

NAME R. J. Jurgens

WIRE - RANGE - INSULATION TYPE 16-14 + + CROSS CRIMP DG

TOLERANCE EXCEPT AS NOTED ± .015 ± .015

SCALE 4-1 M C

NO. 69904

DESCRIPTION DIE ASSEMBLY MOD A

DIMENSIONS IN INCHES. DO NOT SCALE PRINT.