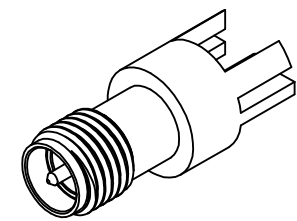
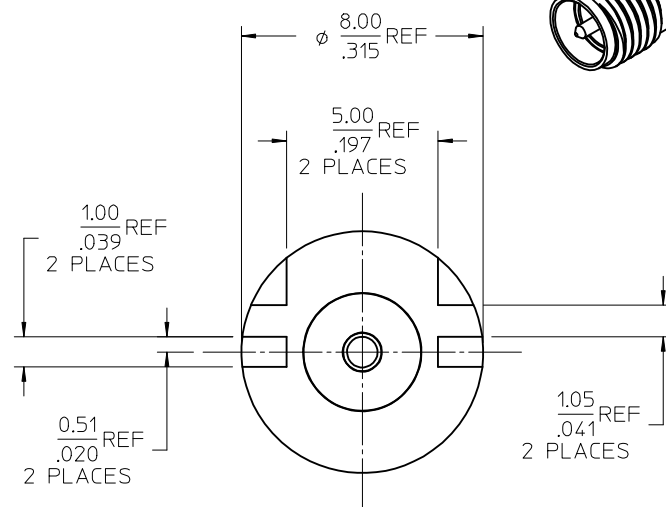
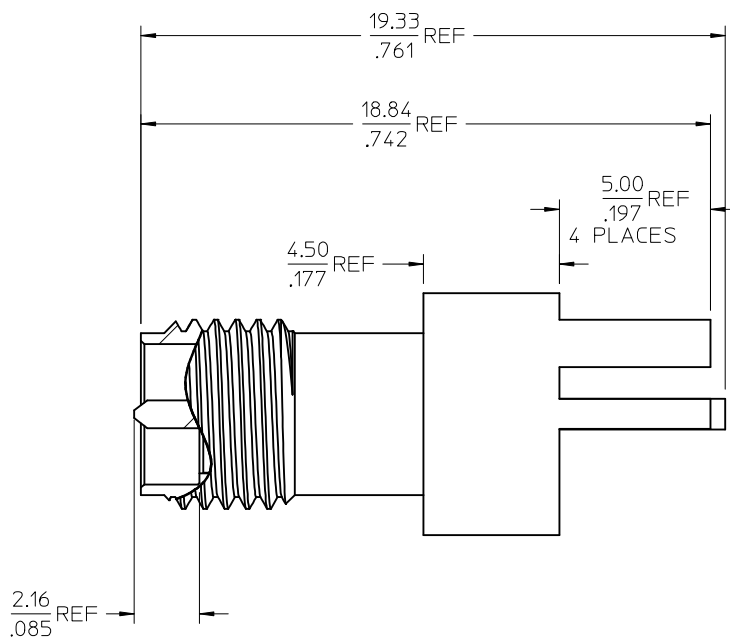


MATERIALS AND FINISHES

BODY BRASS  
PLATED GOLD

CENTER CONTACT BRASS  
PLATED GOLD

INSULATOR TEFLON



PART # 73251-0680

CHG: REDREW IN SD  
CHANGED ALL DIMS  
FROM IN/MM TO MM/IN

EC NO: URF2007-0261  
DRWN: FLAHERTY 2007/01/04  
CHKD: 2007/01/04  
APPR: WIENER 2007/01/04

REV	DESCRIPTION

QUALITY SYMBOLS

GENERAL TOLERANCES (UNLESS SPECIFIED)

	mm	INCH
4 PLACES	± .005	± .0004
3 PLACES	± .004	± .0003
2 PLACES	± .003	± .0002
1 PLACE	± .002	± .0001

ANGULAR ± 2 °

DRAFT WHERE APPLICABLE  
MUST REMAIN  
WITHIN DIMENSIONS

DIMENSION STYLE		SCALE	DESIGN UNITS	THIRD ANGLE PROJECTION
MM/IN			METRIC	
DRAWN BY	DATE	TITLE	SMA JACK, EDGE MOUNT REV POLAR, 50 OHMS, EWR-3274 SMA-J/PCB	MATERIAL NO. <b>732510680</b>
GMH	1998/11/17			
CHECKED BY	DATE	APPROVED BY	DATE	DOCUMENT NO. SD-73251-068
DHG	1998/11/19			

MATERIAL NO. <b>732510680</b>		DOCUMENT NO. SD-73251-068		SHEET NO. 1 OF 1
THIS DRAWING CONTAINS INFORMATION THAT IS PROPRIETARY TO MOLEX INCORPORATED AND SHOULD NOT BE USED WITHOUT WRITTEN PERMISSION				