



APC1

Air Purification Combo ONE

APC1 datasheet

Version: 2.0

Release Date: 2023-03-09

Document Status: Production

The APC1 is a compact, box-shaped, all-in-one environmental sensor solution to precisely measure particulate matter and aerosols, volatile organic compounds, temperature and humidity. It leverages the SciSense leading edge sensor technology to provide an accurate, fully calibrated, maintenance-free solution to air quality monitoring.

For maximum flexibility, the APC1 provides up to 20 environmental signal parameters through UART or I²C interfaces. Moreover, it features temperature compensation algorithms to simplify integration on system level, thereby accelerating time to market at minimal overall BOM costs.

The APC1 is a proven, maintenance-free technology, designed for high volumes and reliability.

Key Features & Benefits

Calibrated signal outputs in compliance with international standards (PM1.0, PM2.5, PM10, TVOC, eCO₂¹, AQI², temperature and relative humidity).

Matchbox-size, fully orchestrated design for space-constrained applications and lowest overall BOM costs.

System level temperature compensation to expedite integration on system level and time to market.

Particle detection down to 0.3µm

Superior accuracies over wide temperature and humidity ranges

- Temperature
 - Accuracy: ±0.45°C, typ.
 - Range: 5 to 50°C
- Humidity
 - Accuracy: ±4%RH, typ.
 - Range: 10 to 95%RH

Applications

- **Home appliances**
 - Air cleaners / purifiers
- **Building Automation / smart home / HVAC³**
 - Indoor air quality detection
 - Demand-controlled ventilation
 - Smart thermostats
- **IoT devices & air quality monitors**

Properties

Supply voltage: 4.5 to 5.5V

UART or I²C with 3.3V communication interface

Power consumption: 75mA

Short response times

- Temperature T₆₃: <60s
- Humidity T₆₃: <18s

Smallest footprint: 50 x 38 x 21mm

¹ eCO₂ = equivalent CO₂ values for compatibility with HVAC ventilation standards

² AQI = Air Quality Index

³ HVAC = Heat, Ventilation and Air Conditioning

Table of Contents

Key Features & Benefits	2
Applications	2
Properties	2
Table of Contents	3
1 Block diagram	4
2 Absolute maximum ratings	4
3 Intended use	5
4 Functional component specifications .	5
4.1 General.....	5
4.2 Environmental Conditions	5
4.3 Sensor specifications	6
4.3.1 Temperature and humidity	6
4.3.2 Particulate matter	7
4.3.3 VOC	8
5 Electrical specifications	9
6 Hardware interface specifications	10
7 Host communication	11
7.1 UART interface.....	11
7.1.1 UART application circuitry.....	11
7.1.2 UART communication.....	12
7.2 I2C interface	13
7.2.1 I2C application circuitry	13
7.2.2 I2C communication	14
8 Operation	16
8.1 Operating modes.....	16
8.2 Output data	17
8.2.1 64-byte output structure	17
8.2.2 Error codes.....	18
8.2.3 Module type, ID and firmware version	19
8.3 Commands	20
8.3.1 UART Commands	20
8.3.2 UART communication examples ..	21
8.3.3 I2C Commands.....	23
8.3.4 I2C communication examples	23
8.3.5 Hardware command - Deep Sleep	24
9 Integration and operation	25
9.1 General.....	25
9.2 Combo orientation.....	25
9.3 Integration into a host system	26
9.3.1 Mechanical Integration	26
9.3.2 Temperature and humidity compensation on system level	26
10 Package drawings & markings	28
11 Ordering information	29
12 Shipment & Packaging	29
13 RoHS Compliance & SciSense Green Statement	30
14 Copyrights & Disclaimer	30
15 Document status	31
16 Revision information	31

1 Block diagram

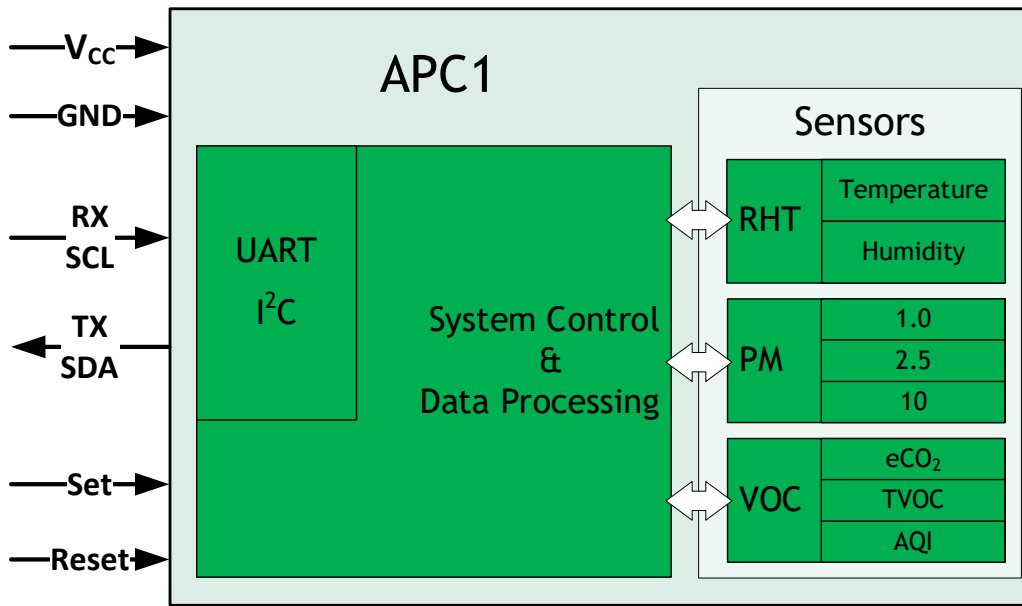


Figure 1: Functional Blocks

The APC1 combo module comprises of a temperature and humidity sensor, a multi-particulate matter (PM) sensor and a VOC sensor, providing standardized signal outputs. Equipped with an internal fan and a control CPU, the APC1 autonomously controls the sensor functionality, including full temperature compensation and output via UART or I²C interface.

2 Absolute maximum ratings

Table 1: Absolute Maximum Ratings

Symbol	Parameter	Min	Typ	Max	Unit	Comments
Environmental Operating & Storage Conditions						
See Table 3						
Electrical Parameters						
V _{DD}	Supply Voltage	-0.3	5.0	6.0	V	
V _{IO}	I/O pins	-0.3		5.5	V	
I _{IO}	Max. current per I/O pin	-18		20	mA	
See Table 7 for further information						

Exposure of the APC1 to conditions outside these ranges may result in reduced performance and accuracy or even permanently damage the APC1. Prolonged operation at these limits can lead to reduced lifetime.

3 Intended use

The APC1 sensor combo is intended for use in common indoor environments. It shall be operated in normal indoor air within its specified, non-condensing environmental conditions, with no aggressive or poisonous gases present. Prolonged exposure to environments outside these conditions can affect performance and lifetime of the sensor.

The APC1 is not designed for use in safety-critical or life-protecting applications.

4 Functional component specifications

4.1 General

Table 2: Module specifications⁴

Parameter	Conditions	Value	Unit
Output data rate		1	Hz
Noise Level ⁵	0.2m distance	24	dB(A)
Noise Level long-term drift	0.2m distance	0.5	dB(A)/a
Lifetime	25 °C; 50% RH	10	years
Physical Size		50 × 38 × 21	mm
Weight		36	g

4.2 Environmental Conditions

Table 3: Operating & Storage Conditions

Symbol	Parameter	Min	Typ	Max	Unit	Comments
T _{AMB}	Operating Ambient Temperature	5		50	°C	
RH _{AMB}	Operating Ambient Rel. Humidity	10		95	%	Non-condensing
T _{STRG}	Storage Temperature	10		50	°C	
RH _{STRG}	Storage Relative Humidity	20		60	%	Non-condensing

⁴ Default combo conditions in standard measurement mode: 24 °C and 5 V supply voltage, unless stated otherwise.

⁵ Measured indoors @ background noise <17dB(A).

4.3 Sensor specifications

4.3.1 Temperature and humidity

The APC1 deploys a highly accurate capacitive humidity and temperature sensor.

Table 4: Temperature and humidity sensor specifications

Parameter	Conditions	Min	Typ	Max	Unit
Temperature					
Range	@50%RH	5	25	50	°C
Accuracy	@50%RH		0.45	0.7	°C
Resolution			0.1		°C
Repeatability	@50%RH and 24°C			0.05	°C
Response Time T ₆₃	T-step from 23 to 45°C @50%RH			<60	s
Relative Humidity					
Range	@24°C	10	50	95	%RH
Accuracy	@24°C and 25 to 75%RH		4	6	%RH
Resolution			0.1		%RH
Repeatability	@24°C and 25 to 75%RH			0.75	%RH
Response Time T ₆₃	RH step from 40% to 60% @24°C			<18	s

4.3.2 Particulate matter

The APC1 uses proven laser scattering technology to reliably detect particles down to 0.3 μm .

Table 5: Particulate matter sensor specifications

Parameter	Condition	Value	Unit
Size ranges	PM1.0	0.3 - 1.0	μm
	PM2.5	0.3 - 2.5	μm
	PM10	0.3 - 10	μm
Resolution		1	$\mu\text{g}/\text{m}^3$
Standard volume		0.1	L
Effective concentration range	PM2.5	0 – 500	$\mu\text{g}/\text{m}^3$
	PM10	0 – 500	$\mu\text{g}/\text{m}^3$
Maximum Upper Limit of Range	PM2.5	≥ 1000	$\mu\text{g}/\text{m}^3$
	PM10	≥ 1500	$\mu\text{g}/\text{m}^3$
Maximum Consistency Error	PM2.5 100 – 1000 $\mu\text{g}/\text{m}^3$ 0 – 100 $\mu\text{g}/\text{m}^3$	± 10	%
		± 10	$\mu\text{g}/\text{m}^3$
	PM10 100 – 1000 $\mu\text{g}/\text{m}^3$ 0 – 100 $\mu\text{g}/\text{m}^3$	± 15	%
		± 15	$\mu\text{g}/\text{m}^3$
Counting Efficiency	@ 0.3 μm	50	%
	$\geq 0.5 \mu\text{m}$	98	%
Laser Wavelength		650	nm
Laser Class	DIN EN 60825-1	1	
Start-Up Time ⁶	typical	30	s

⁶ Determined by fan rev up after powering.

4.3.3 VOC

The APC1 deploys a multi-gas sensor solution based on metal-oxide (MOX) technology. Outputs are provided in standard TVOC or eCO₂ concentrations or as AQI values⁷.

Table 6: VOC sensor specifications

Parameter	Description		Min	Typ	Max	Unit
Output Signals	TVOC	Total VOC concentration	0		65,000	ppb
	eCO ₂	Equivalent CO ₂	400		65,000	ppm CO ₂ -equiv.
	AQI-UBA ⁸	Air Quality Index Classification of TVOC value	1		5	-
Start-Up Time ⁹	Initial Start-Up	After first power up		60		min
	Warm-Up	After every power up		3		min

⁷ TVOC = Total Volatile Organic Compounds; eCO₂ = equivalent CO₂; AQI = Air Quality Index

⁸ Classified TVOC output signal according to the indoor air quality levels by the German Federal Environmental Agency (UBA, 2007).

⁹ Device is not designed for power-cycling.

5 Electrical specifications

Table 7: Electrical specifications

Symbol	Parameter	Min	Typ	Max	Unit	Comments
V _{DD}	Supply Voltage	4.5	5.0	5.5	V	
I _{Op}	Operating Current	-	75	≤120 ¹⁰	mA	Active measurement & fan
I _{Idle}	Idle Current	-	9	≤10	mA	Idle mode
I _{DeepSleep}	Deep Sleep Current	-	1.7	≤2	mA	Deep Sleep mode (via SET pin)
V _{IH}	I/O Input HIGH level voltage	2.7			V	@ 3.3V
V _{IL}	I/O Input LOW level voltage			0.6	V	@ 3.3V

Default combo conditions in standard measurement mode: 24°C and normal ambient air, unless stated otherwise.

Table 8: ESD / EMC ratings

		Electrostatic Discharge			
ESD _{HBM}	Electrostatic Discharge HBM	±2,000		V	JS-001-2014

¹⁰ Only during short / extreme conditions e.g. start-up of fan.

6 Hardware interface specifications

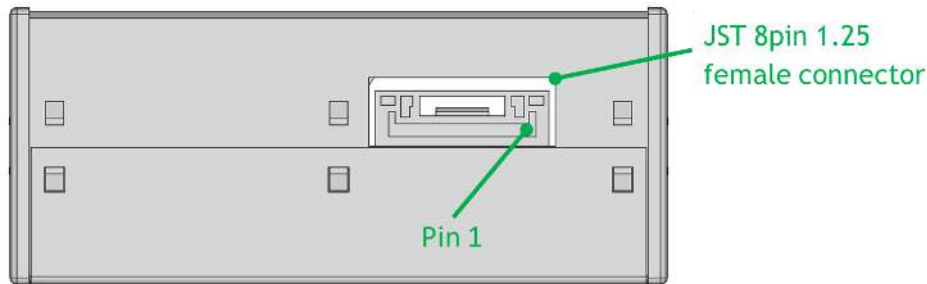


Figure 2: Connector type and pin orientation on device

Table 9: Pin assignment

Pin ID	Pin Name	Pin Type	Description
1	V _{DD}	Supply	5V (Supply voltage)
2	GND	Supply	Ground
3	SET	Input	LOW: Deep Sleep mode. HIGH or floating: resume previous operating mode (Idle or Measurement mode). Internally pulled-up.
4	UART_RX / I2C_SCL	Input	UART RX or I ² C_SCL. Internally pulled-up.
5	UART_TX / I2C_SDA	Output	UART TX or I ² C_SDA. Internally pulled-up.
6	RESET	Input	Set LOW to Reset device. Internally pulled-up.
7	NC		Internal use only. Do not connect.
8	NC		Internal use only. Do not connect.

7 Host communication

7.1 UART interface

The Universal Asynchronous Receiver/Transmitter (UART) protocol is an asynchronous serial interface.

7.1.1 UART application circuitry

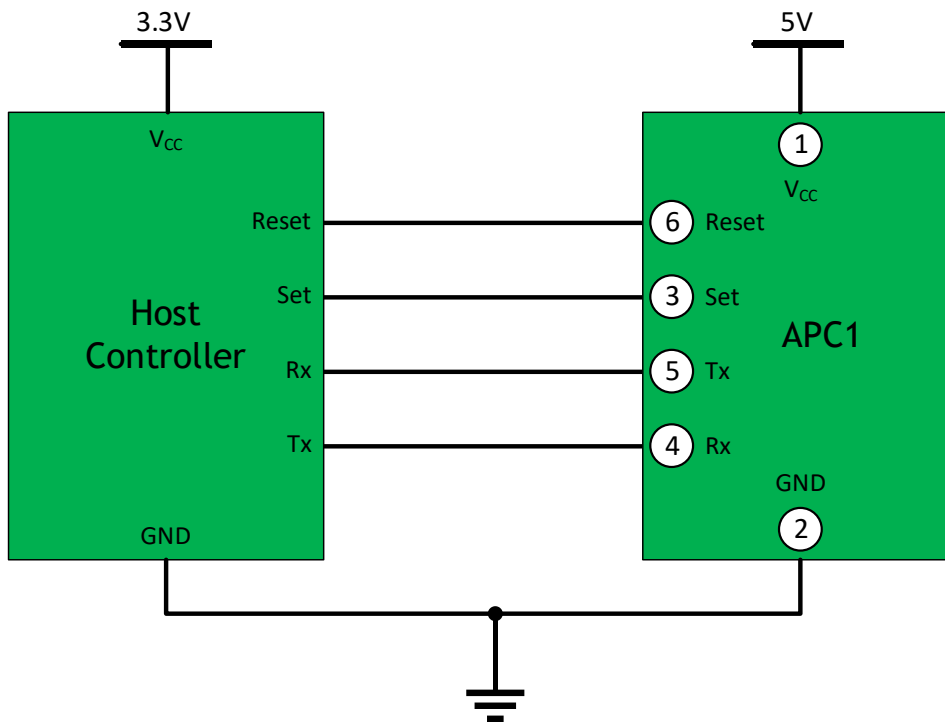


Figure 3: Recommended UART application circuitry

Important notes:

1. While a 5V DC supply voltage is required to drive the fan. The communication interfaces run at 3.3V TTL level.
2. Pins 3, 4, 5 and 6 are pulled-up internally
3. Do not connect SET (pin 3) and RESET (pin 6) when not used.
4. Do not connect pins 7 and 8.
5. The outer metal shell is connected to GND.
Do not connect to any other live component or parts of circuitry except GND.
6. Do not remove the outer metal shell of the APC1.
7. Do not open the module.

7.1.2 UART communication

UART communication between the APC1 and a host system is based on transmitter (Tx) and receiver (Rx) connected to the host system as depicted in [Figure 3](#) with the following settings:

Table 10: APC1 UART communication settings

Parameter	Value	Unit	Description
Baud rate	9,600	bit/s	-
Data bits	8	bit	-
Parity	None	-	-
Stop bit	1	bit	-

The data byte structure looks as follows:

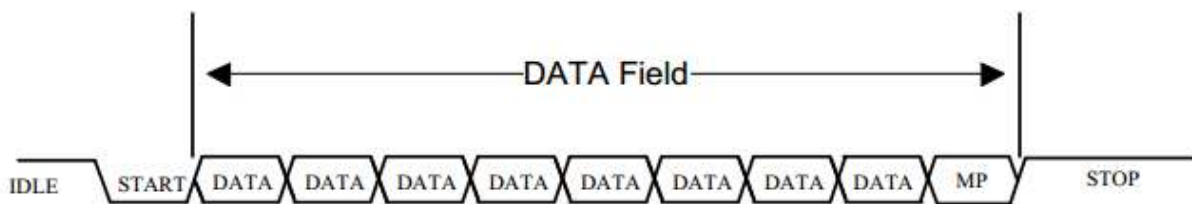


Figure 4: APC1 data byte structure

7.2 I2C interface

The Inter-Integrated Circuit (I2C) is a synchronous multi-controller/multi-target serial communication bus interface.

7.2.1 I2C application circuitry

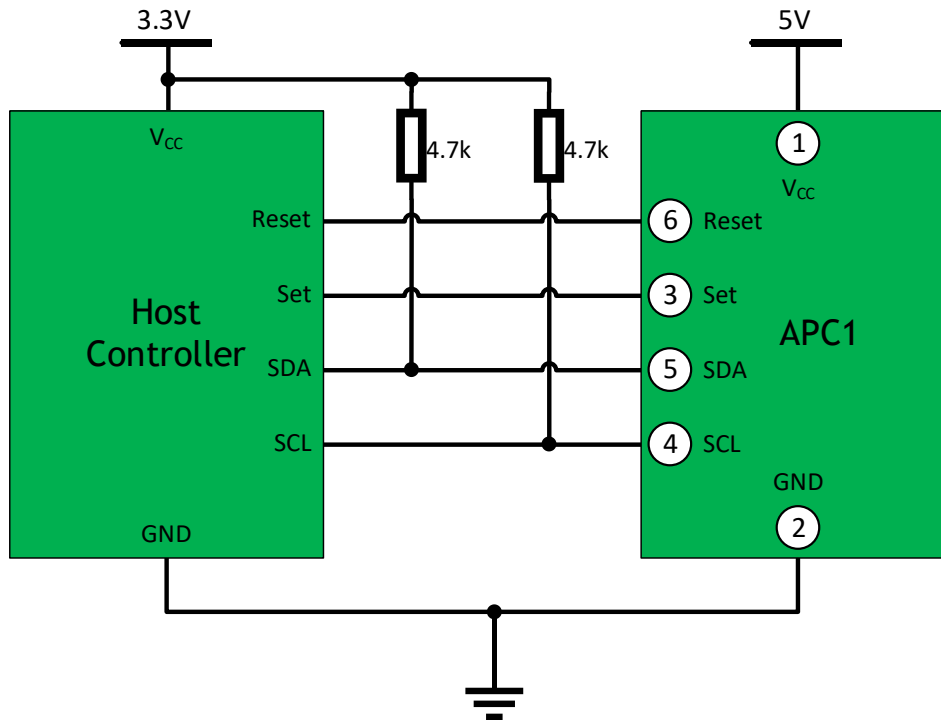


Figure 5: Recommended I2C application circuitry

Important notes:

1. While a 5V DC supply voltage is required to drive the fan. The communication interfaces run at 3.3V TTL level.
2. While pins 3 and 6 are pulled-up internally, pins 4 and 5 require pull-ups as depicted.
3. Do not connect SET (pin 3) and RESET (pin 6) when not used.
4. Do not connect pins 7 and 8.
5. The outer metal shell is connected to GND.
Do not connect to any other live component or parts of circuitry except GND.
6. Do not remove the outer metal shell of the APC1.
7. Do not open the module.

7.2.2 I2C communication

I2C communication between the APC1 and a host system is based on the 100kbit/s standard mode with SDA and SCL connected to the host system as depicted in [Figure 5](#) with the following settings:

Table 11: APC1 I2C communication settings

Parameter	Value	Unit	Description
Slave Address	0x12	-	Device's I2C address (7 bit)
SCLK frequency	100	Kbit/s	I2C standard mode

Table 12: APC1 I2C timing parameters

Parameter	Symbol	Value		Unit
		Min	Max	
Hold time (repeated) START condition. After this period, the first clock pulse is generated	t_{HD_STA}	4	-	μs
LOW period of the SCLK clock	t_{LOW}	4.7	-	μs
HIGH period of the SCLK clock	t_{HIGH}	4.0	-	μs
Data hold-time	t_{HD_DAT}	5.0	-	μs
Data set-up time	t_{SU_DAT}	250	-	ns
Set-up time for a repeated START condition	t_{SU_STA}	4.7	-	μs
Set-up time for STOP condition	t_{SU_STO}	4.0	-	μs
Bus free time between a STOP and START condition	t_{BUF}	4.7	-	μs

The timing sequences look as follows with the timings defined in [table 12](#):

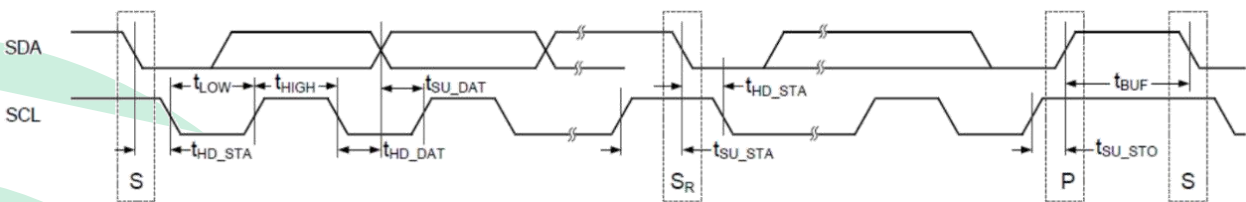


Figure 6: I2C timings

There are two possible command sequences:

1. Master reads slave (APC1) continuously.
2. Master reads specific slave (APC1) register.

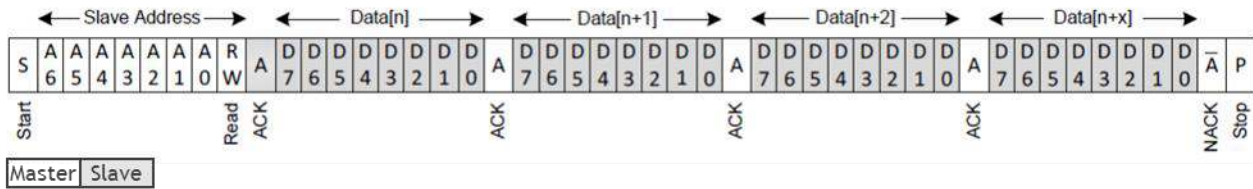


Figure 7: I2C command sequence for continuous reading

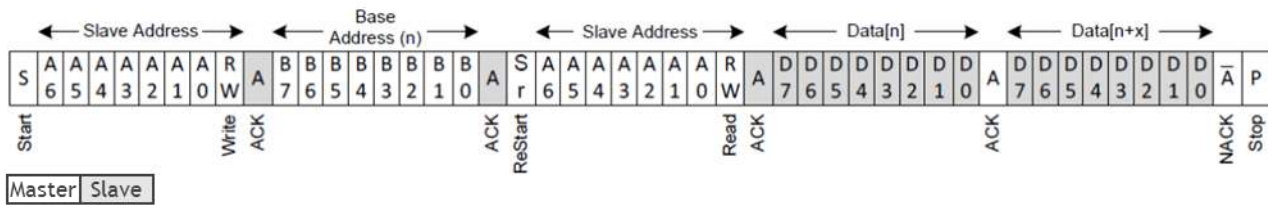


Figure 8: I2C command sequence for specific register reading

8 Operation

8.1 Operating modes

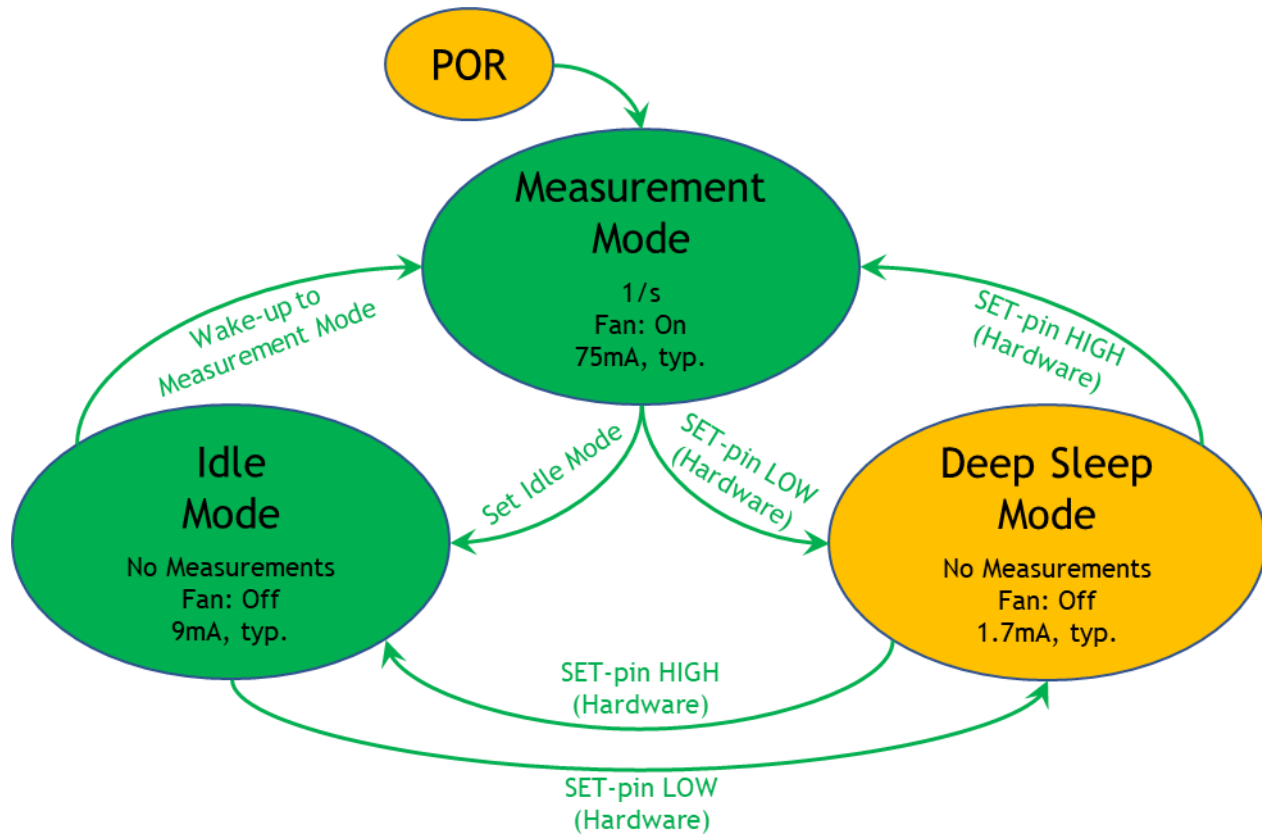


Figure 9: Operating Modes

After Power-on (POR) the APC1 enters its default operating mode: Measurement Mode, carrying out a new set of measurement data every second.

For power savings and to stop the fan, the device can be set to Idle Mode. Moreover, it can be put into Deep Sleep by hardware (see [Section 8.3.5](#)). No measurements or measurement data can be executed or obtained in Idle or Deep Sleep Mode.

See [Section 8.3](#) for further information on how to set commands and to obtain measurement data from the device.

8.2 Output data

8.2.1 64-byte output structure

When in Measurement mode, the following structure of measurement data is provided and updated every second.

Table 13: 64 byte output registers

Byte	Field Name	Size (byte)	Range		Resolution	Unit	Access (R/W)	Description
			Data	Physical				
0x00	Frame header	2	0x42 0x4D	-	-	-	R	Frame header
0x02	Frame length	2	0x00 0x3C	-	-	-	R	Frame length (60 byte)
0x04	PM1.0	2	0-500	0-500	1	ug/m3	R	PM1.0 mass concentration
0x06	PM2.5	2	0-1,000	0-1,000	1	ug/m3	R	PM2.5 mass concentration
0x08	PM10	2	0-1,500	0-1,500	1	ug/m3	R	PM10 mass concentration
0x0A	PM1.0 in air	2	0-500	0-500	1	ug/m3	R	PM1.0 mass concentration in atmospheric environment
0x0C	PM2.5 in air	2	0-1,000	0-1,000	1	ug/m3	R	PM2.5 mass concentration in atmospheric environment
0x0E	PM10 in air	2	0-1,500	0-1,500	1	ug/m3	R	PM10 mass concentration atmospheric environment
0x10	# particles >0.3µm	2	0-65,535	0-65,535	1	Particle count	R	Number of particles with diameter > 0.3µm in 0.1L of air
0x12	# particles >0.5µm	2	0-65,535	0-65,535	1	Particle count	R	Number of particles with diameter > 0.5µm in 0.1L of air. To determine # of PM0.5 particles subtract field 0x12 from field 0x10.
0x14	# particles >1.0µm	2	0-65,535	0-65,535	1	Particle count	R	Number of particles with diameter > 1.0µm in 0.1L of air. To determine # of PM1.0 particles subtract field 0x14 from field 0x10.
0x16	# particles >2.5µm	2	0-65,535	0-65,535	1	Particle count	R	Number of particles with diameter > 2.5µm in 0.1L of air. To determine # of PM2.5 particles subtract field 0x16 from field 0x10.
0x18	# particles >5.0µm	2	0-65,535	0-65,535	1	Particle count	R	Number of particles with diameter > 5.0µm in 0.1L of air. To determine # of PM5 particles subtract field 0x18 from field 0x10.
0x1A	# particles >10µm	2	0-65,535	0-65,535	1	Particle count	R	Number of particles with diameter > 10µm in 0.1L of air. To determine # of PM10 particles subtract field 0x1A from field 0x10.
0x1C	TVOC	2	0-65,000	0-65,000	1	ppb	R	TVOC output
0x1E	eCO ₂	2	400-65,000	400-65,000	1	ppm	R	Output in ppm CO ₂ equivalents

Byte	Field Name	Size (byte)	Range		Resolution	Unit	Access (RW)	Description
			Data	Physical				
0x20	Reserved	2	-	-	-	-	-	Reserved
0x22	T-comp.	2	0-500	0-50	0.1	°C	R	Compensation only valid for detached module operation according to orientation 4 (figure 10). See Section 9.3.2 for temperature and humidity compensation on system level.
0x24	RH-comp.	2	0-1,000	0-100	0.1	%	R	
0x26	T-raw	2	0-500	0-50	0.1	°C	R	Uncompensated temperature
0x28	RH-raw	2	0-1,000	0-100	0.1	%	R	Uncompensated humidity
0x2A	RS ₀	4	100 - 50M	(100) 1k - 10M (50M)	1	Ω	R	Gas sensor raw resistance value RS _i . (RS ₁ not used) Values show specified range. Values in brackets show total / measurement range.
0x2E	RS ₁	4						
0x32	RS ₂	4						
0x36	RS ₃	4						
0x3A	AQI	1	1-5	1-5	1	-	R	Air Quality Index according to UBA Classification of TVOC value
0x3B	Reserved	1	-	-	-	-	-	Reserved
0x3C	Version	1	-	-	-	-	R	Firmware version
0x3D	Error code	1	-	-	-	-	R	See Section 8.2.2 for details
0x3E	Checksum	2	-	-	-	-	R	Frame (0x00 – 0x3D) checksum
Total bytes:		64						

Note: First byte: MSB; last byte: LSB; valid for all multi-byte data strings of 64-byte output structure.

8.2.2 Error codes

The error codes can be obtained from the 64 byte output structure (byte 0x3D).

Table 14: Error codes

Bit7	Bit6	Bit5	Bit4	Bit3	Bit2	Bit1	Bit0
X	RHT ¹¹	VOC ¹²	Laser	Fan stopped	Photodiode	Fan-speed low	Too many Fan restarts

No error: error code = 0x00 (= default condition)

¹¹ Temperature and humidity sensor

¹² VOC Sensor

8.2.3 Module type, ID and firmware version

Using the 0xE9 command the following structure containing the module type, its ID and firmware version.

Table 15: Module type, ID & FW registers

Byte	Field Name	Size (byte)	Data	Access (R/W)	Description
0x00	Frame header	2	0x42 0x4D	R	Frame header
0x02	Frame length	2	0x00 0x13	R	Frame length (19 byte)
0x04	Module name & type	6	0x41 0x50 0x43 0x31 0x2D 0x55	R	Example ASCII code: "A" "P" "C" "1" "-" "U" ("U" for UART, "I" for I2C interface)
0x0A	Serial number	8	0x11 0x22 0x33 0x44 0x55 0x66 0x77 0x88	R	Example ID: 1122334455667788
0x12	Delimiter	1	0x2D	R	Example ASCII code: "-"
0x13	FW version	2	0x00 0x22	R	Example: Firmware version 0x22
0x15	Checksum	2	0x04 0xBE	R	Frame (0x00 – 0x14) checksum
Total bytes:		23			

Note: First byte: MSB; last byte: LSB; valid for all multi-byte data strings of structure.

The example data of above structure creates the following output string:

0x41 0x50 0x43 0x31 0x2D 0x55 0x11 0x22 0x33 0x44 0x55 0x66 0x77 0x88 0x2D 0x00 0x22

or

APC1-U1122334455667788-22

where green text represents original hex-values and black text the appropriate ASCII interpretation.

8.3 Commands

The APC1 requires the following command protocol:

Table 16: Host to device command structure

StartByte1	StartByte2	Command	ModeH	ModeL	ChecksumH	ChecksumL
0x42	0x4D	Command	ModeH	ModeL	LRCH	LRCL

After successful execution of a command, the APC1 answers within 200ms as follows:

Table 17: Device to host answer protocol structure

StartByte1	StartByte2	FrameLengthH	FrameLengthL	Command	Data	ChecksumH	ChecksumL
0x42	0x4D	0x00	FrameLengthL	Command or Data	ModeL or Data	LRCH	LRCL

The **Checksum** is the sum of the values of all bytes sent (not considering Checksum itself) with

- ChecksumH = LRCH = High byte
- ChecksumL = LRCL = Low byte

This is valid for both, host-to-device and device-to host communication.

8.3.1 UART Commands

The following UART commands are available:

Table 18: APC1 UART host commands

Command	ModeH	ModeL	Description
0xE1	X	0x00 Set passive mode 0x01 Set active mode	Toggle measurement result communication mode: Passive: Device to send 64-byte structure on request (Default). Active: Device to send 64-byte structure every second
0xE2	X	0x00 Request new meas. data	Once in passive mode, this command requests the device to send a 64-byte data structure containing the latest measurement results.
0xE4	X	0x00 Set to Idle mode 0x01 Wake-up to Meas. mode	Toggle between Idle and Measurement mode (Default).
0xE9	X	X	Read module type, ID & FW version

8.3.2 UART communication examples

8.3.2.1 Read module type, ID & FW version

This command requests the APC1 to send the module type, ID and firmware version.

Table 19: Communication protocol to request module type, ID & FW version

Host command	0x42 0x4D 0xE9 0x00 0x00 0x01 0x78
Device answer	0x42 0x4D FrameLengthH/L Module name & type Serial number Delimiter FW version ChecksumH/L

The device responds by sending a 23-byte structure (see “Device answer”) according to [table 15](#).

8.3.2.2 Read measurement data from device

This command requests the APC1 to send the latest set of measurement results ([64-byte output structure](#)).

As this command is not possible in active mode, make sure the device is in Measurement mode with passive communication.

Table 20: Communication protocol to request the latest set of measurement results

Host command	0x42 0x4D 0xE2 0x00 0x00 0x01 0x71
Device answer	0x42 0x4D FrameLengthH/L PM1.0H/L PM2.5H/L ... Version ErrorCode ChecksumH/L

The device responds by sending the [64-byte output structure](#) with the latest measurement results.

Repeat this command whenever there is a need for new measurement data. Note that the maximum update rate of the 64-byte structure is 1Hz.

8.3.2.3 Set Passive communication mode

This command sets the APC1 to passive (single shot) communication.

Table 21: Communication protocol to set passive communication mode

Host command	0x42 0x4D 0xE1 0x00 0x00 0x01 0x70
Device answer	0x42 0x4D 0x00 0x04 0xE1 0x00 0x01 0x74

The device responds by sending the above device answer.

8.3.2.4 Set Active communication mode

This command sets the APC1 to active (continuous) communication / data update (default after POR).

Table 22: Communication protocol to set active communication mode

Host command	0x42 0x4D 0xE1 0x00 0x01 0x01 0x71
Device answer	0x42 0x4D 0x00 0x04 0xE1 0x01 0x01 0x75

The device responds by sending the above device answer.

8.3.2.5 Set Idle mode

This command sets the device to Idle mode, resulting in:

- No measurements
- No updates of the 64-byte output register structure
- Fan: Off
- Low power consumption: 9mA

Table 23: Communication protocol to set device to Idle mode

Host command	0x42 0x4D 0xE4 0x00 0x00 0x01 0x73
Device answer	0x42 0x4D 0x00 0x04 0xE4 0x00 0x01 0x77

8.3.2.6 Set Measurement mode

This command sets the device from Idle to Measurement mode (default after POR), resulting in:

- Active measurements, updated every second
- Fan: On
- Average power consumption: 75mA

Table 24: Communication protocol to set device to Measurement mode

Host	0x42 0x4D 0xE4 0x00 0x01 0x01 0x74
Device	...0x4D FrameLengthH/L PM1.0H/L PM2.5H/L ... Version ErrorCode ChecksumH/L...

When communication mode is “active”, the device responds by continuously sending the updated **64-byte output structure** (see “Device answer”) containing the latest measurement results.

8.3.3 I2C Commands

The following I2C commands are available:

Table 25: APC1 I2C host commands

Command	ModeH	ModeL	Description
0xE4	X	0x00 Set to Idle mode 0x01 Set to Measurement mode 0x0F Reset	Toggle between Idle and Measurement mode (Default).
0xE9	X	X	Read module type, ID & FW version

Above commands must be written to Write Register Address 0x40 - 0x46.

8.3.4 I2C communication examples

8.3.4.1 Read module type, ID & FW version

This command requests the APC1 to write the module type, ID and firmware version to response address 0x47 - 0x5D.

Table 26: Communication protocol to request module type, ID & FW

Host command	Write 0x42 0x4D 0xE9 0x00 0x00 0x01 0x78 to address 0x40 – 0x46
Device answer	0x42 0x4D FrameLengthH/L Module name & type Serial number Delimiter FW version ChecksumH/L

The device answer can be found in response address 0x47 - 0x5D and is interpreted according to table 15.

8.3.4.2 Set Idle mode

This command sets the device to Idle mode, resulting in:

- No measurements
- No updates of the 64-byte output register structure
- Fan: Off
- Low power consumption: 9mA

Table 27: Communication protocol to set device to Idle mode

Host command	Write 0x42 0x4D 0xE4 0x00 0x00 0x01 0x73 to address 0x40 – 0x46
Device answer	0x42 0x4D 0x00 0x04 0xE4 0x00 0x01 0x77

The device answer can be found in response address 0x47 - 0x4E.

8.3.4.3 Set Measurement mode

This command sets the device from Idle to measurement mode (default after POR), resulting in:

- Active measurements, updated every second
- Fan: On
- Average power consumption: 75mA

Table 28: Communication protocol to set device to Measurement mode

Host	Write 0x42 0x4D 0xE4 0x00 0x01 0x01 0x74 to address 0x40 – 0x46
Device	0x42 0x4D FrameLengthH/L PM1.0H/L PM2.5H/L ... Version ErrorCode ChecksumH/L

The device responds with the 64-byte structure according to [table 13](#).

8.3.4.4 Reset device

This command resets the device resulting in a POR / restart:

Table 29: Communication protocol to reset device

Host	Write 0x42 0x4D 0xE4 0x00 0x0F 0x01 0x82 to address 0x40 – 0x46
Device	Reset

Besides a power-on / reset there is no device answer.

8.3.5 Hardware command - Deep Sleep

Besides power on/off there is a hardware command available to set the module into Deep Sleep mode. The power-saving Deep Sleep mode can be invoked using hardware pin 3 (SET). It can be set at any operating mode (Idle or Measurement mode) by putting the SET pin to LOW (GND), resulting in:

- No measurements
- No updates to the 64-byte output register structure
- Fan: Off
- Lowest power consumption: 1.7mA

To resume the previous operating mode (Idle or Measurement), put the SET pin HIGH again.

9 Integration and operation

9.1 General

- Do not remove the outer metal shell of the APC1.
- Do not attempt to open the module.
- Protection must be added if the sensor is used in the following conditions:
 - PM concentrations $\geq 300\mu\text{g}/\text{m}^3$ for more than 50% of combo lifetime
 - PM concentrations $\geq 500\mu\text{g}/\text{m}^3$ for more than 20% of combo lifetime
 - Kitchen environment
 - Occasional water mist conditions such as in bathroom environments.
- Refer to [Section 3 “Intended Use”](#) for further details.

9.2 Combo orientation

To ensure proper functioning throughout the entire lifetime, the following guidelines for combo orientation must be met:

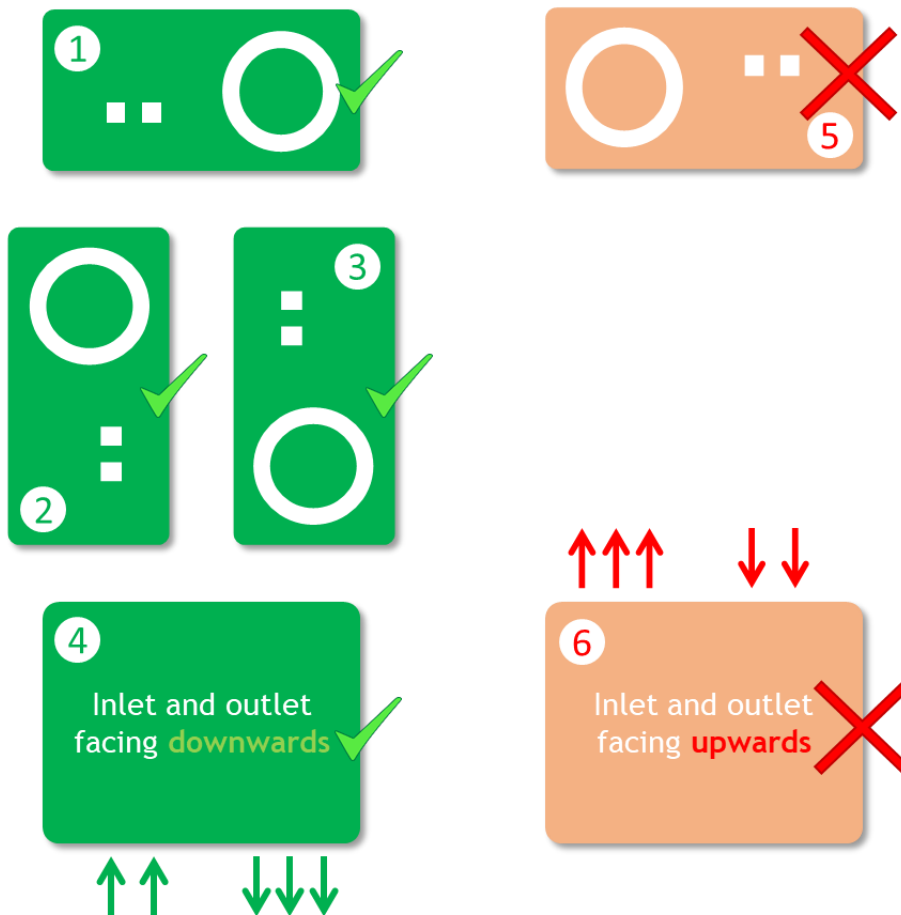


Figure 10: Recommended combo orientation

9.3 Integration into a host system

9.3.1 Mechanical Integration

- Keep inlet and outlet plane of both, APC1 and host system as close as possible to each other. If required, use suitable air guides and/or ductwork with sealants to avoid short-circuits of air flows.
- Host system inlet and outlet must not be smaller than APC1 inlet and outlet.
- To avoid false results, protect/shield inlet and outlet from output air flow of ventilation system or air cleaner.
- Install APC1 at least 20 cm above the floor in order to prevent blocking by larger particles or flock dust. Protect inlet by metal mesh, if required.

9.3.2 Temperature and humidity compensation on system level

For precise temperature and humidity readings, the APC1 is equipped with a temperature and humidity compensation algorithm on module level. Due to excess heat from external/host components, some integrations require further temperature and humidity compensation.

This section describes how to determine and compensate such offsets and correct for consequential humidity errors.

9.3.2.1 Determining and compensating the temperature offset

The following procedure uses a single temperature measurement point to determine the APC1 temperature offset, induced by a host system.

Required items:

- A temperature reference T_{Ref} (e.g. SciSense ENS210 evaluation kit on flex-foil).
- A system with an integrated APC1, logging the device's temperature reading T_{Sys} . **Important Note:** As the device's temperature reading T_{Sys} , it is recommended to use the compensated temperature value T_{comp} from the 64-byte data structure (see [Table 13](#), Register 0x22). Do not use T_{raw} .

T compensation equation:

$$T_{Ref} = T_{Sys} + T_{Offset}$$

Compensation procedure:

1. Setup the temperature reference and system under calibration in a *thermally stable* environment at a typical environmental / operating temperature.
2. Wait for the temperature readings to stabilize (APC1 and reference); thereafter start recording.

Note: For the sake of highest accuracy, it is advisable to carry out a series of experiments and/or log the data for a longer duration while stable.

- For highest precision, average the recorded temperature values before calculating the difference between system and reference with the following equation:

$$\Delta T = T_{Offset} = T_{Ref} - T_{Sys}$$

with

T_{Ref} : Averaged temperature value of the temperature reference

T_{Sys} : Averaged temperature value of the system under calibration

- Compensate the temperature reading by subtracting the determined offset:

$$T_{Comp} = T_{Sys} + T_{Offset} = T_{Sys} + (T_{Ref} - T_{Sys})$$

Example T-Compensation

Assuming the above experiment shows the following results:

$$T_{Ref} = 21^{\circ}C; T_{Sys} = 25^{\circ}C \rightarrow \Delta T = T_{Offset} = T_{Ref} - T_{Sys} = -4^{\circ}C$$

Meaning that the host system causes a temperature offset of an additional 4°C on the APC1, which needs to be compensated for by subtracting said 4°C from the APC1's T_{Sys} reading:

$$T_{Comp} = T_{Sys} + T_{Offset} = T_{Sys} + (T_{Ref} - T_{Sys}) = 25^{\circ}C + (21^{\circ}C - 25^{\circ}C) = 21^{\circ}C$$

9.3.2.2 Correcting the temperature-offset induced humidity error

Since (per definition) the relative humidity output is a temperature-dependent signal, it requires a temperature-offset-dependent correction, provided the temperature offset is other than zero.

Once the T-compensation is done, the humidity correction only requires an additional calculation according to the following equation:

$$RH_{Comp} = RH_{Sys} * (273.15 + T_{Comp}) / (273.15 + T_{Sys}) * 10^{(a * T_{Sys} / (b + T_{Sys}) - a * T_{Comp} / (b + T_{Comp}))}$$

with

T_{Sys} : T-raw temperature reading of the APC1 (see register 0x26 [Table 13](#))

T_{Comp} : Compensated T_{Sys} temperature reading

RH_{Sys} : RH-raw relative humidity reading of the APC1 (see register 0x28 [Table 13](#))

RH_{Comp} : Compensated RH_{Sys} relative humidity reading

a : 7.5 ($T \geq 0^{\circ}C$); factor, defined by physical laws

b : 237.3 ($T \geq 0^{\circ}C$); constant, defined by physical laws

10 Package drawings & markings

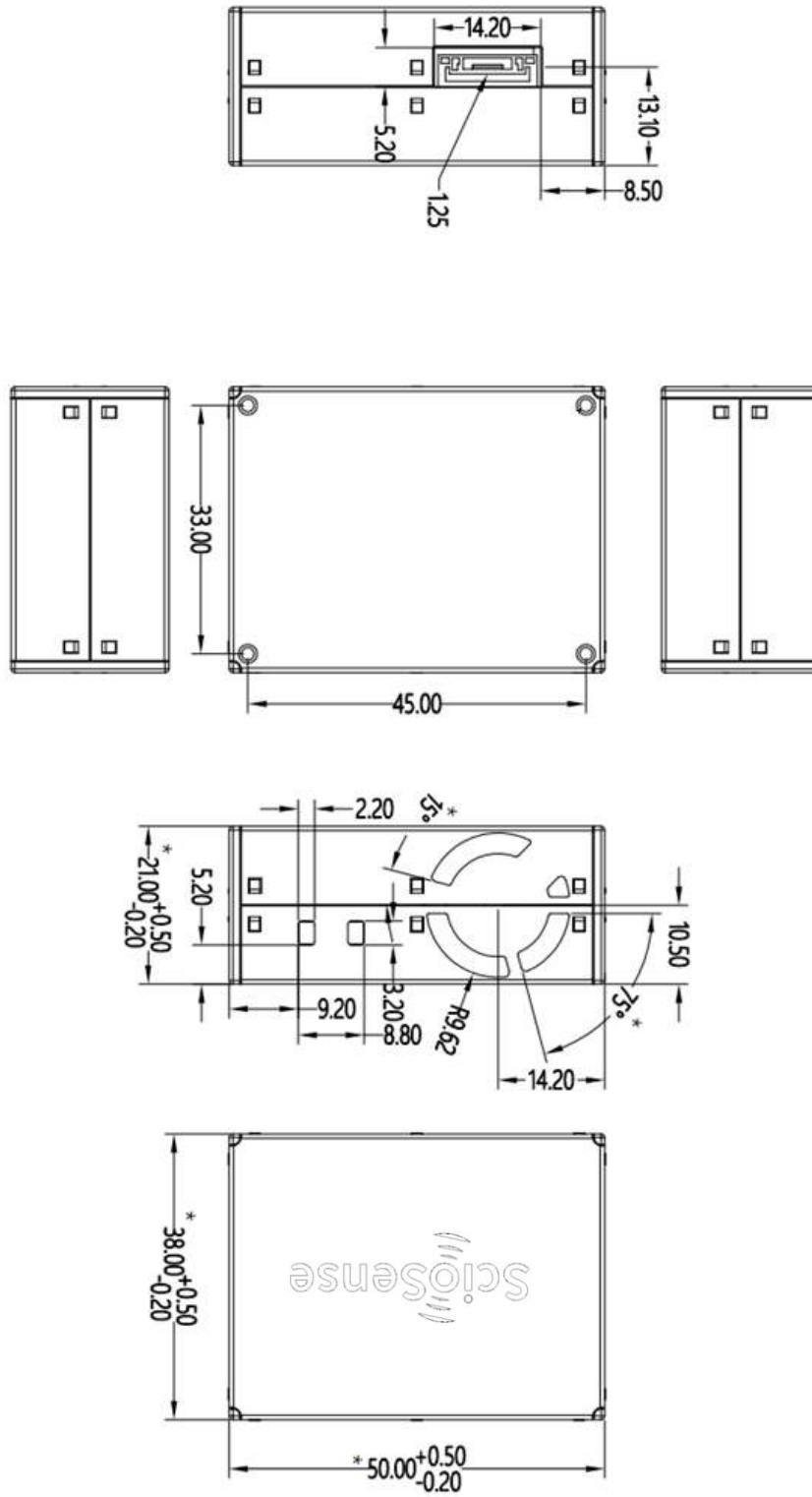


Figure 11: Technical Drawings (all dimensions in mm)



Figure 12: Product label -example of UART version

11 Ordering information

Table 30: Ordering information

Ordering Code	Material ID	Delivery Form	Delivery Quantity	Description
APC1001U	503700201	Box	200	UART interface
APC1001J	503700202	Box	200	I2C interface
APC1001U_EK_ST V1	503700204	Box	1	UART Evaluation Kit

12 Shipment & Packaging

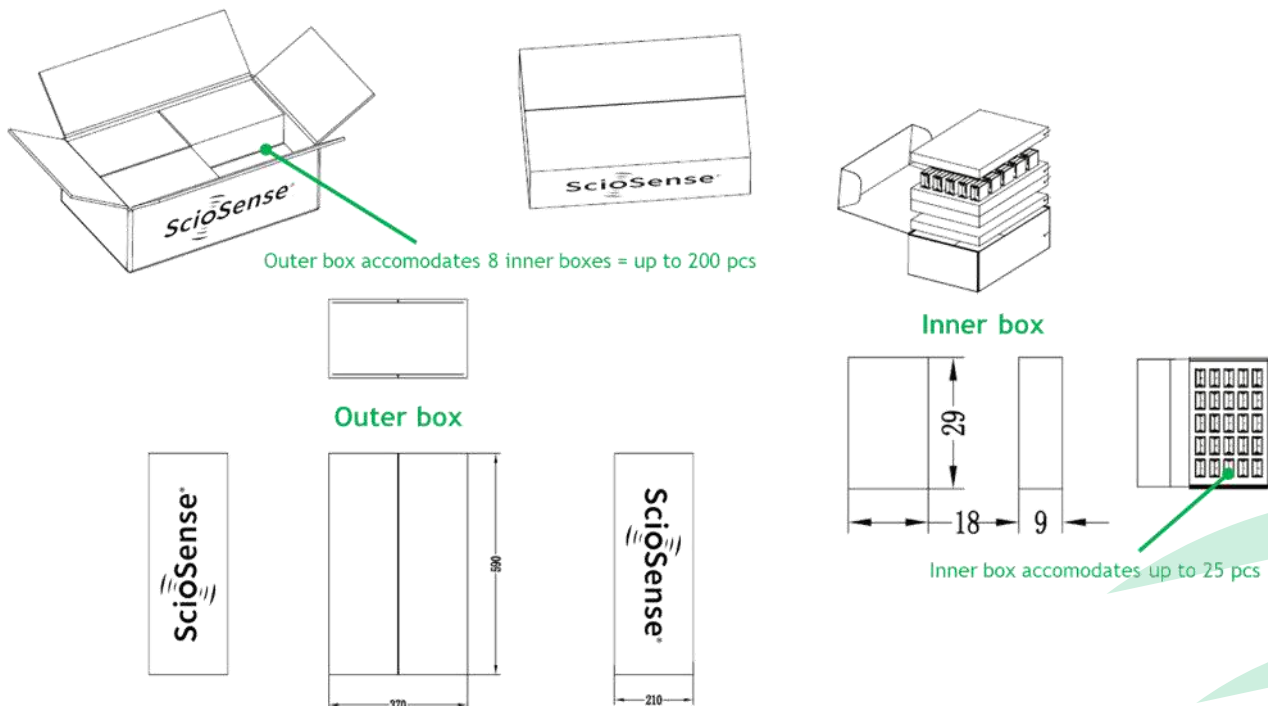


Figure 13: Packaging Information

13 RoHS Compliance & SciSense Green Statement

RoHS: The term RoHS compliant means that Sciosense B.V. products fully comply with current RoHS directives. Our semiconductor products do not contain any chemicals for all 6 substance categories, including the requirement that lead does not exceed 0.1% by weight in homogeneous materials. Where designed to be soldered at high temperatures, RoHS compliant products are suitable for use in specified lead-free processes.

SciSense Green (RoHS compliant and no Sb/Br): SciSense Green defines that in addition to RoHS compliance, our products are free of Bromine (Br) and Antimony (Sb) based flame retardants (Br or Sb do not exceed 0.1% by weight in homogeneous material).

Important Information: The information provided in this statement represents Sciosense B.V. knowledge and belief as of the date that it is provided. Sciosense B.V. bases its knowledge and belief on information provided by third parties, and makes no representation or warranty as to the accuracy of such information. Efforts are underway to better integrate information from third parties. Sciosense B.V. has taken and continues to take reasonable steps to provide representative and accurate information but may not have conducted destructive testing or chemical analysis on incoming materials and chemicals. Sciosense B.V. and Sciosense B.V. suppliers consider certain information to be proprietary, and thus CAS numbers and other limited information may not be available for release.

14 Copyrights & Disclaimer

Copyright Sciosense B.V High Tech Campus 10, 5656 AE Eindhoven, The Netherlands. Trademarks Registered. All rights reserved. The material herein may not be reproduced, adapted, merged, translated, stored, or used without the prior written consent of the copyright owner.

Devices sold by Sciosense B.V. are covered by the warranty and patent indemnification provisions appearing in its General Terms of Trade. Sciosense B.V. makes no warranty, express, statutory, implied, or by description regarding the information set forth herein. Sciosense B.V. reserves the right to change specifications and prices at any time and without notice. Therefore, prior to designing this product into a system, it is necessary to check with Sciosense B.V. for current information. This product is intended for use in commercial applications. Applications requiring extended temperature range, unusual environmental requirements, or high reliability applications, such as military, medical life-support or life-sustaining equipment are specifically not recommended without additional processing by Sciosense B.V. for each application. This product is provided by Sciosense B.V. "AS IS" and any express or implied warranties, including, but not limited to the implied warranties of merchantability and fitness for a particular purpose are disclaimed.

This product is not intended for use as safety device and/or in applications where failure of the product could result in personal injury. Sciosense B.V. shall not be liable to recipient or any third party for any damages, including but not limited to personal injury, property damage, loss of profits, loss of use, interruption of business or indirect, special, incidental or consequential damages, of any kind, in connection with or arising out of the furnishing, performance or use of the technical data herein. No obligation or liability to recipient or any third party shall arise or flow out of Sciosense B.V. rendering of technical or other services.

15 Document status

Table 31: Document status

Document Status	Product Status	Definition
Product Preview	Pre-Development	Information in this datasheet is based on product ideas in the planning phase of development. All specifications are design goals without any warranty and are subject to change without notice.
Preliminary Datasheet	Pre-Production	Information in this datasheet is based on products in the design, validation or qualification phase of development. The performance and parameters shown in this document are preliminary without any warranty and are subject to change without notice.
Datasheet	Production	Information in this datasheet is based on products in ramp-up to full production or full production which conform to specifications in accordance with the terms of SciSense B.V. standard warranty as given in the General Terms of Trade.
Datasheet (Discontinued)	Discontinued	Information in this datasheet is based on products which conform to specifications in accordance with the terms of SciSense B.V. standard warranty as given in the General Terms of Trade, but these products have been superseded and should not be used for new designs.

16 Revision information

Table 32: Revision history

Revision	Date	Comment	Page
2.0	2023-03-09	Fully revised version: Added I2C product version. Added I2C Interface description. Amend temperature and humidity compensation sources. Amend disclaimer.	All
1.1	2022-05-15	Add readout of module ID, code examples & further error codes	
1.0	2022-04-11	Official release	All
0.9.1	2022-02-23	Typos and beautification Amend table 14; add note	All 14, 15
0.9	2021-11-30	Preliminary Version	All

Note(s) and/or Footnote(s):

1. Page and figure numbers for the previous version may differ from page and figure numbers in the current revision.
2. Correction of typographical errors is not explicitly mentioned.

SciSense B.V.

Address: Sciosense B.V.
High Tech Campus 10
5656 AE Eindhoven
The Netherlands

Contact: www.sciosense.com
info@sciosense.com