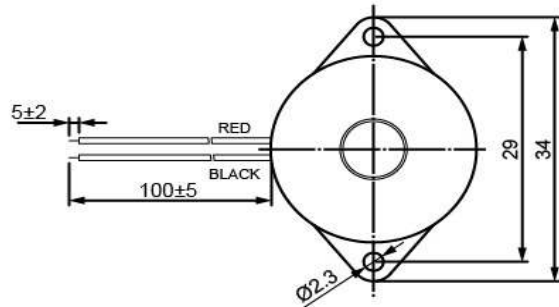
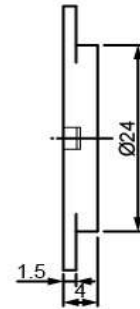



TOP VIEW



SIDE VIEW



Specifications			Notes	Revision History						
Description	Value	Unit		Version	Description		Date	Approved		
Technology	Piezo		1) All dimensions are in mm unless otherwise noted 2) All parts meet RoHS	1	Released from Engineering		10/21/2013	J.S		
Resonant Frequency	5,500	(Hz)								
Rated Voltage	15	(V)								
SPL @ 10cm	90	(dBA)								
Capacitance	18,000	(pF)								
Mount Type	Flange									
Voltage Range	1 ~ 30	(V)								
Max Rated Current	8	(mA)								
Housing Material	NORYL									
Operating Temperature	-30 ~ +70	°C								
Storage Temperature	-40 ~ +85	°C								
Weight	1.9	(g)								
 <b>DB UNLIMITED</b>			<b>Piezo Transducer</b>			<b>TP245515-2</b>				

Additional considerations can be found at [www.dbunlimitedco.com/technical-articles](http://www.dbunlimitedco.com/technical-articles).