

QPD P 4PE2,5 9-16 GY - Connector

1403781

<https://www.phoenixcontact.com/us/products/1403781>

Please be informed that the data shown in this PDF document is generated from our online catalog. Please find the complete data in the user documentation. Our general terms of use for downloads are valid.



QUICKON connector, gray, 4+PE-pos., 1.0 mm² ... 2.5 mm²/690 V/20 A, with QUICKON nut, for cables with a diameter of 9 mm ... 16 mm.

Commercial data

Item number	1403781
Packing unit	1 pc
Minimum order quantity	1 pc
Sales key	BF50
Product key	BF6BCB
GTIN	4046356667128
Weight per piece (including packing)	73.6 g
Weight per piece (excluding packing)	73.6 g
Customs tariff number	85366990
Country of origin	PL

QPD P 4PE2,5 9-16 GY - Connector



1403781

<https://www.phoenixcontact.com/us/products/1403781>

Technical data

Product properties

Type	QPD 5x2,5
Product type	Installation connector
Product family	QPD
Number of positions	5
Connection profile	4+PE
Position marking	1, 2, L, N, PE
Number of connections per position	1
Series	QPD

Insulation characteristics

Overvoltage category	III
Degree of pollution	3

Electrical properties

Rated surge voltage (II/2)	8 kV
Rated surge voltage (III/2)	8 kV
Rated surge voltage (III/3)	6 kV
Rated current	20 A
Contact resistance	< 4 mΩ
rated voltage (II/2)	1000 V
rated voltage (III/2)	1000 V
Rated voltage (III/3)	690 V
Nominal voltage U_N	690 V AC 690 V DC
Nominal current I_N	20 A

Connection data

Connection technology

Connection technology	QUICKON connection
Connection system, internal	IDC connection
Frequency of connections between conductors of the same cross section	max. 10

Conductor connection

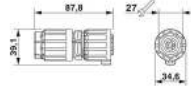
Conductor cross section flexibel	1 mm ² ... 2.5 mm ²
Conductor cross section solid	1 mm ² ... 1.5 mm ²
Connection cross section AWG	16 ... 14
Tightening torque, union nut	10 Nm

Dimensions

QPD P 4PE2,5 9-16 GY - Connector

1403781

<https://www.phoenixcontact.com/us/products/1403781>

Dimensional drawing	
Width	34.6 mm
Height	39.1 mm
Length	87.8 mm
Diameter	39.1 mm

Material specifications

Material	PA
Flammability rating according to UL 94	V0
Contact material	Cu
Contact surface material	silver-plated
Contact carrier material	PA

Cable/line

Structure of individual litz in acc. with VDE 0295 / smallest wire diameter	VDE 0295 class 1 to 6/min. 0.15 mm
External cable diameter ()	9 mm ... 16 mm
Wire diameter including insulation	2 mm ... 3.8 mm
Position marking	1, 2, L, N, PE
Material wire insulation	PVC / PE

Mechanical properties

Mechanical data

Insertion/withdrawal cycles	max. 50
-----------------------------	---------

Environmental and real-life conditions

Ambient conditions

Degree of protection	IP66
	IP68 (2 m / 24 h)
	IP69K
Ambient temperature (operation)	-40 °C ... 100 °C
Temperature when conductor connected	-5 °C ... 50 °C
Ambient temperature (storage/transport)	-40 °C ... 80 °C

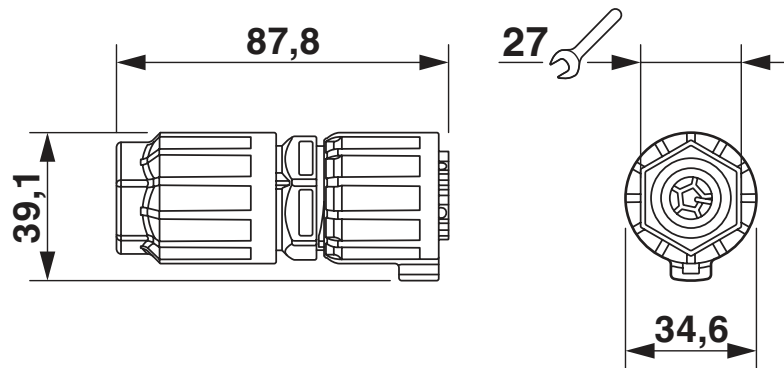
QPD P 4PE2,5 9-16 GY - Connector

1403781

<https://www.phoenixcontact.com/us/products/1403781>

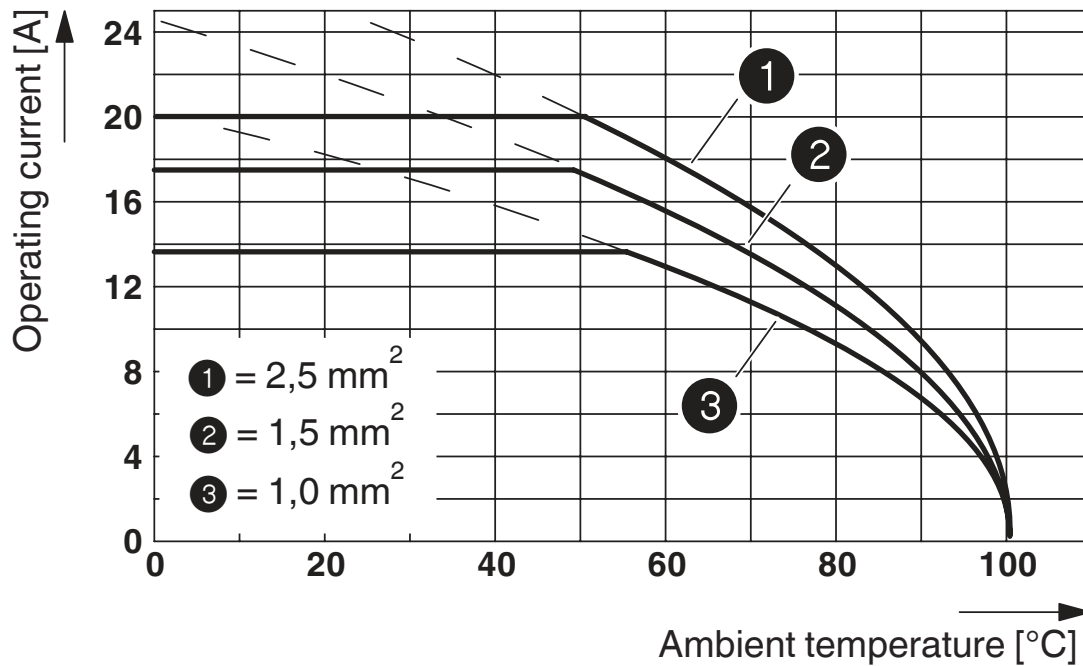
Drawings

Dimensional drawing



Dimensional drawing: connector, 2.5 mm²

Diagram



QPD P 4PE2,5 9-16 GY - Connector



1403781

<https://www.phoenixcontact.com/us/products/1403781>

Approvals

To download certificates, visit the product detail page: <https://www.phoenixcontact.com/us/products/1403781>



IECEE CB Scheme
Approval ID: DE1-65875



EAC
Approval ID: RU C-DE.AI30.B.01102



DNV GL
Approval ID: TAE00003J5



EAC
Approval ID: RU C-DE.BL08.B.00511



VDE Zeichengenehmigung
Approval ID: 40029149



UL Listed
Approval ID: E468743

Nominal voltage U_N	Nominal current I_N	Cross section AWG	Cross section mm^2
600 V	10 A	-	- 14



cUL Listed
Approval ID: E468743

Nominal voltage U_N	Nominal current I_N	Cross section AWG	Cross section mm^2
600 V	10 A	- 14	-

cULus Listed

QPD P 4PE2,5 9-16 GY - Connector



1403781

<https://www.phoenixcontact.com/us/products/1403781>

Classifications

ECLASS

ECLASS-11.0	27440605
ECLASS-12.0	27440605
ECLASS-13.0	27440605

ETIM

ETIM 8.0	EC002560
----------	----------

UNSPSC

UNSPSC 21.0	39121400
-------------	----------

QPD P 4PE2,5 9-16 GY - Connector



1403781

<https://www.phoenixcontact.com/us/products/1403781>

Environmental product compliance

China RoHS	Environmentally friendly use period: unlimited = EFUP-e
	No hazardous substances above threshold values

QPD P 4PE2,5 9-16 GY - Connector

1403781

<https://www.phoenixcontact.com/us/products/1403781>

Accessories

CP-QPD 5X2,5 - Coding profile

1404530

<https://www.phoenixcontact.com/us/products/1404530>



Coding profile, red, for insertion into the 5-pos. QUICKON dome and connector, can be positioned in 72° increments.

QPD QSK 5X2,5 - Protective cap

1404528

<https://www.phoenixcontact.com/us/products/1404528>



Protective cap, transparent plastic, for 5x 2.5 mm² QPD QUICKON connection, IP50.

QPD P 4PE2,5 9-16 GY - Connector

1403781

<https://www.phoenixcontact.com/us/products/1403781>



QPD PSK 5X2,5 - Protective cap

1404529

<https://www.phoenixcontact.com/us/products/1404529>

Protective cap, transparent plastic, for 5 x 2.5 mm² QPD connector, IP50.



QSS 27 - Socket wrench

1670646

<https://www.phoenixcontact.com/us/products/1670646>

Allen wrench, for loosening and fastening the QUICKON union nut, WAF 27 mm



Phoenix Contact 2023 © - all rights reserved
<https://www.phoenixcontact.com>

Phoenix Contact USA
586 Fulling Mill Road
Middletown, PA 17057, United States
(+717) 944-1300
info@phoenixcon.com