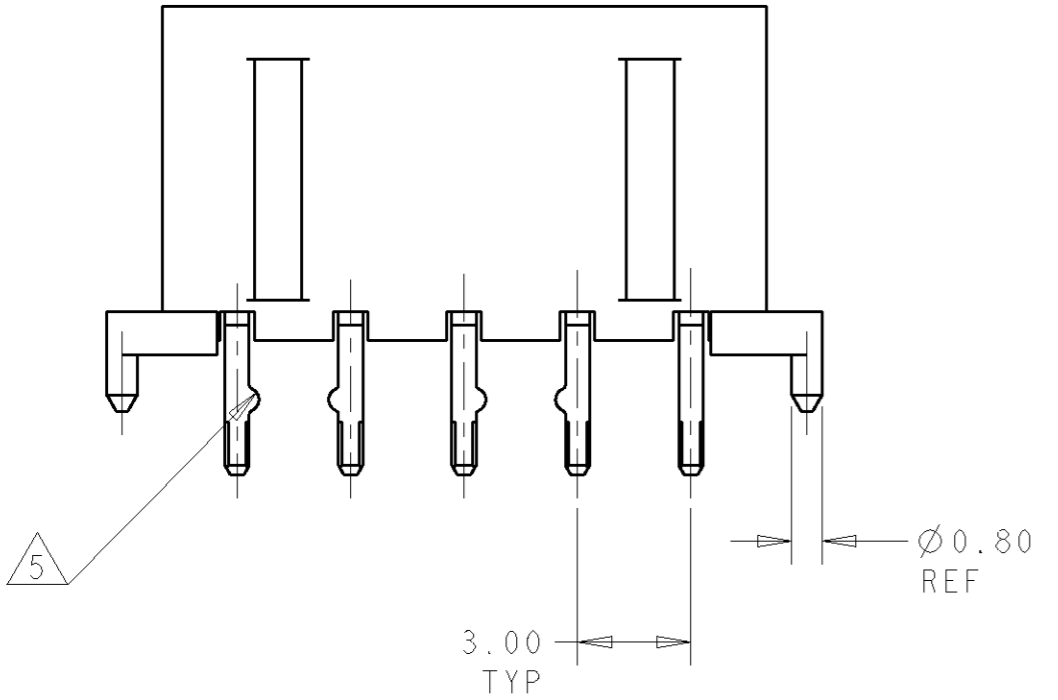
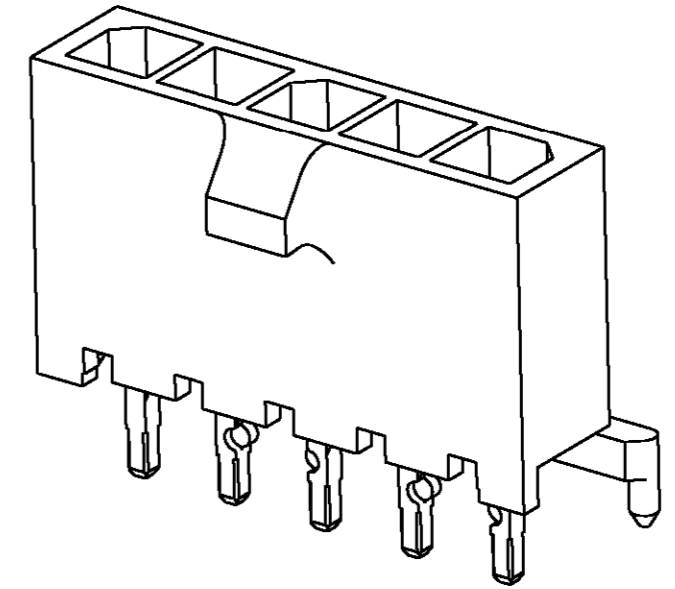
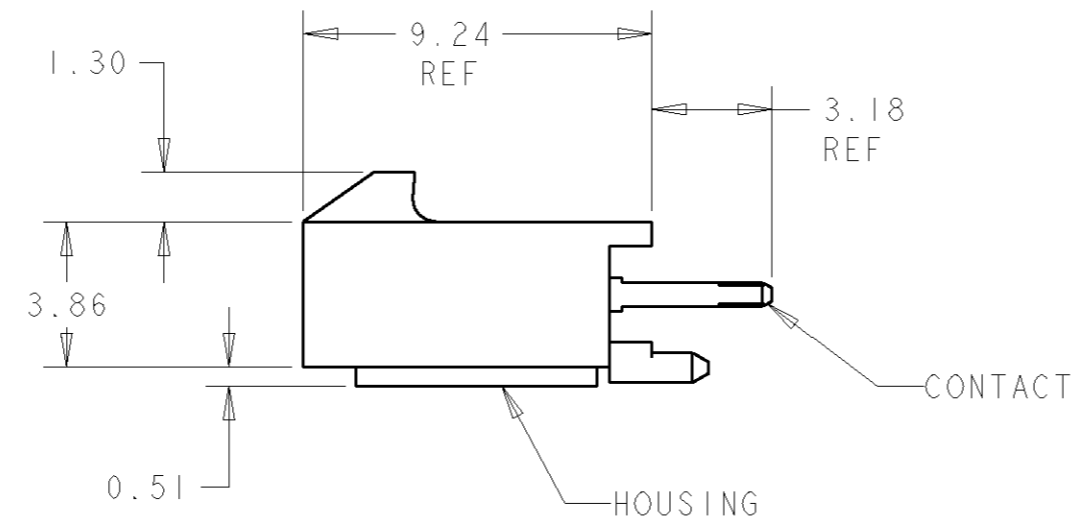
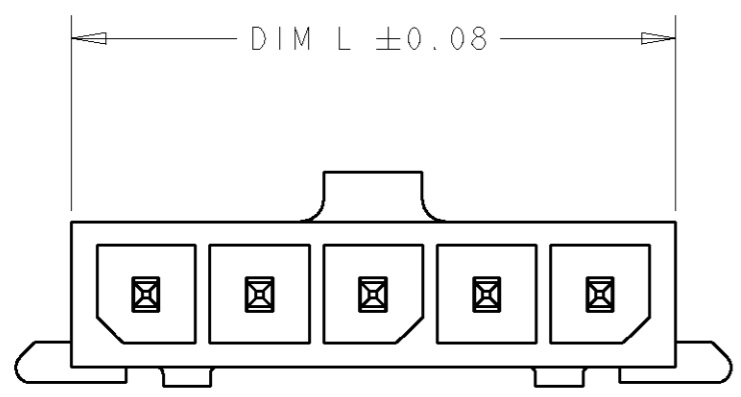
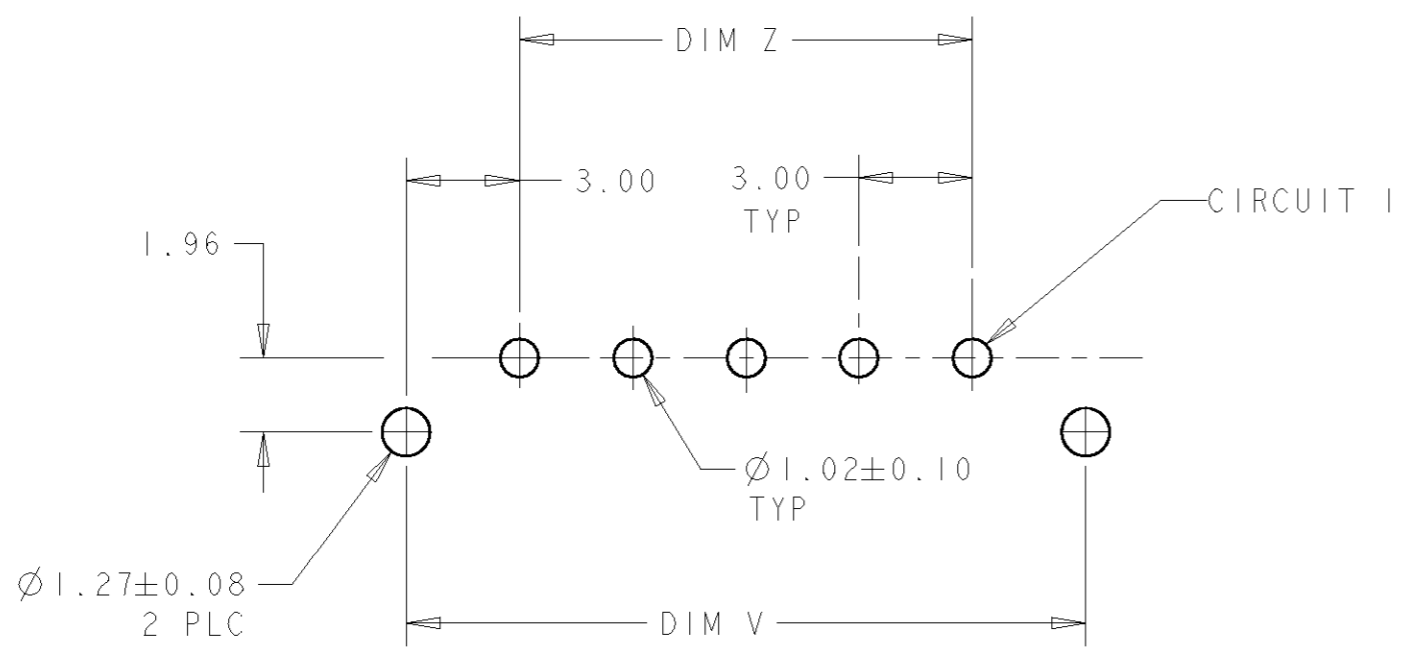


THIS DRAWING IS UNPUBLISHED. RELEASED FOR PUBLICATION .19
 © COPYRIGHT 19 BY AMP INCORPORATED. ALL RIGHTS RESERVED.

| LOC | | DIST | | REVISIONS | | | |
|-----|-----|---------------------------|-----------|-----------|------|--|--|
| P | LTR | DESCRIPTION | DATE | DWN | APVD | | |
| | 0 | RELEASED PER 0G3B-0330-01 | 17-AUG-01 | KW | CJ | | |



- 1 MATERIAL: CONTACTS - BRASS
HOUSING - UL 94V-0 RATED HIGH TEMP NYLON, COLOR BLACK.
- 2 PLATING: CONTACTS - 0.38µm MINIMUM GOLD ON MATING END,
2.54µm MINIMUM TIN LEAD ON SOLDER TAILS, BOTH OVER
1.27µm MINIMUM NICKEL.
- 4 RECOMMENDED PC BOARD THICKNESS OF 1.57.
- 5 RETENTION BUMP FEATURES FACE EACH OTHER, TYPICAL
ALL CONFIGURATIONS.



PCB LAYOUT COMPONENT SIDE 4

| | | | | | |
|-------------------------|-------|-------|-------|----------------|-------------|
| 1,2,11,12 | 33.00 | 39.14 | 37.00 | 12 | 1-1445084-2 |
| 1,2,9,10 | 30.00 | 36.14 | 34.00 | 11 | 1-1445084-1 |
| 1,2,9,10 | 27.00 | 33.14 | 31.00 | 10 | 1-1445084-0 |
| 1,2,7,8 | 24.00 | 30.14 | 28.00 | 9 | 1445084-9 |
| 1,2,7,8 | 21.00 | 27.14 | 25.00 | 8 | 1445084-8 |
| 1,2,5,6 | 18.00 | 24.14 | 22.00 | 7 | 1445084-7 |
| 1,2,5,6 | 15.00 | 21.14 | 19.00 | 6 | 1445084-6 |
| 1,2,3,4 | 12.00 | 18.14 | 16.00 | 5 | 1445084-5 |
| 1,2,3,4 | 9.00 | 15.14 | 13.00 | 4 | 1445084-4 |
| 1,2 | 6.00 | 12.14 | 10.00 | 3 | 1445084-3 |
| 1,2 | 3.00 | 9.14 | 7.00 | 2 | 1445084-2 |
| CON POS W/RET BUMP 5 | DIM Z | DIM V | DIM L | NO. OF POSN | PART NUMBER |

| | | | |
|---|--|-----------------------------------|---|
| THIS DRAWING IS A CONTROLLED DOCUMENT FOR AMP INCORPORATED. IT IS SUBJECT TO CHANGE AND THE CONTROLLING ENGINEERING ORGANIZATION SHOULD BE CONTACTED FOR THE LATEST REVISION. | | DWN J. ROOT 10OCT2000 | Tyco Electronics Harrisburg, PA 17105-3608 |
| DIMENSIONS: mm | | CHK K. WHITAKER 17-APR-2001 | |
| TOLERANCES UNLESS OTHERWISE SPECIFIED: 0 PLC ± 1 PLC ± 2 PLC ±0.13 3 PLC ± 4 PLC ± ANGLES ± FINISH | | APVD C. JONES 17-APR-2001 | NAME VERTICAL THRU HOLE HEADER ASSY, 0.38 MIC GOLD CONTACTS W/PCB PLZN FEATURE, SGL ROW, MICRO MATE-N-LOK™ |
| MATERIAL | | PRODUCT SPEC | SIZE A2 |
| 1 | | APPLICATION SPEC | CAGE CODE 00779 |
| 2 | | WEIGHT | DRAWING NO 1445084 |
| METRIC | | CUSTOMER DRAWING | SCALE 5:1 SHEET 1 OF 1 REV 0 |