

EV-T2M4CC-DC150A-8,0M35ESBK11 - DC charging cable



1192334

<https://www.phoenixcontact.com/us/products/1192334>

Please be informed that the data shown in this PDF document is generated from our online catalog. Please find the complete data in the user documentation. Our general terms of use for downloads are valid.



CHARX connect standard, DC charging cable, with vehicle charging connector and open cable end, for charging electric vehicles (EV) with direct current (DC), with connected PP contact, with replaceable mating face frame, with analog temperature sensors, CCS type 2, IEC 62196-3, 150 A / 1000 V (DC), PHOENIX CONTACT logo, cable: 8 m, black, straight, NOTE: Cable management may be required.

Product description

DC charging cable with vehicle charging connector and free cable end for fast charging of electric vehicles (EV) with direct current (DC) via CCS type 2 vehicle charging inlets, for installation at charging stations for e-mobility (EVSE)

Your advantages

- Complete product range
- The right charging cable for every application, from the carport to the charging park
- Convenient handling due to the ergonomic design
- Available with your logo on request – for consistent branding of your charging station
- Developed and produced in accordance with the IATF 16949 automotive standard and ISO 9001

Commercial data

Item number	1192334
Packing unit	1 pc
Minimum order quantity	1 pc
Sales key	EM01
Product key	XWBAAD
GTIN	4063151244262
Weight per piece (including packing)	11,446 g
Weight per piece (excluding packing)	11,410 g
Customs tariff number	85444290
Country of origin	PL

EV-T2M4CC-DC150A-8,0M35ESBK11 - DC charging cable



1192334

<https://www.phoenixcontact.com/us/products/1192334>

Technical data

Product properties

Product type	DC charging cable
Product family	CHARX connect standard
Application	for charging electric vehicles (EV) with direct current (DC) for installation at charging stations for electromobility (EVSE)
Type	DC charging cable with vehicle charging connector and open cable end
Design	with connected PP contact with replaceable mating face frame with analog temperature sensors
Technology	Combined Charging System
Affixed logo	PHOENIX CONTACT logo
Label	14.1 mm x 44.8 mm (customer logo on request)
Charging standard	CCS type 2
Charging mode	Mode 4

Electrical properties

Type of signal transmission	Pulse width modulation with modulated Powerline communication in accordance with ISO/IEC 15118 / DIN SPEC 70121
Note on the connection method	Crimp connection, cannot be disconnected
Coding	1500 Ω (between PE and PP) PP signal contact connected to cable
Temperature monitoring	2x Pt 1000
Type of charging current	DC
Charging power	150 kW
Charging current	150 A

Power contact

Number	3 (PE, DC+, DC-)
Rated voltage	1000 V DC
Rated current	150 A (up to 40 °C)

Signal contact

Number	2 (CP, PP)
Rated voltage	30 V AC
Rated current	2 A

Temperature sensors (Pt 1000)

Sensor type	Pt 1000
Standards/regulations	DIN EN 60751
Attachment point	Sensor for the DC contacts
Switch-off temperature	90 °C \pm 1 K (equivalent to a Pt 1000 value of 1346.5 Ω)

EV-T2M4CC-DC150A-8,0M35ESBK11 - DC charging cable



1192334

<https://www.phoenixcontact.com/us/products/1192334>

Long-term stability	0.06 % (after 1000 hours at 130 °C)
Recommended measured current	1 mA (1 V at 0°C)
Coefficient	3850 ppm/K
Ambient temperature	-50 °C ... 130 °C (Operation)

Dimensions

Vehicle charging connector

Width	75 mm
Height	139 mm
Depth	267 mm

Material specifications

Color (Housing)	black (9005)
Color (Handle area)	gray (7042)
Color (Mating face)	black (9005)
Color (Protective cap)	black (9005)
Color (Cable)	black (9005)
Material (Vehicle charging connector)	Plastic
Material (Cable outer sheath)	TPE-U
Material (Contact surface)	Silver
Flammability rating according to UL 94	V0 (Mating face)

Cable/line

Cable length	8 m ±45 mm
Wiring standards/regulations	prEN 50620/DIN EN 50620
Cable weight	max. 1380 kg/km
Cable type	Class 6
Cable type	straight
Cable structure	2 x 35 mm ² + 1 x 25 mm ² + 3 x 2 x 0.75 mm ²
External cable diameter	25.9 mm ±0.4 mm
Outer sheath, material	TPE-U
Stripping length of the sheath	140 mm ±10 mm
Cable resistance	≤ 0.000554 Ω/m (based on a power core, at an ambient temperature of 20°C)
Bending radius	min. 259 mm (10x diameter)

Mechanical properties

Mechanical data

Insertion/withdrawal cycles	> 10000
Insertion force	< 100 N
Withdrawal force	< 100 N

Environmental and real-life conditions

EV-T2M4CC-DC150A-8,0M35ESBK11 - DC charging cable



1192334

<https://www.phoenixcontact.com/us/products/1192334>

Ambient conditions

Degree of protection (Vehicle charging connector)	IP44 (plugged in; when plugged in and ready to operate, the degree of protection is only ensued if both plug-in components are original products from Phoenix Contact or suitable standard-compliant products)
Ambient temperature (operation)	-30 °C ... 40 °C max. 55 °C (Current reduction required, observe the DC contact temperature limit value of 90°C)
Ambient temperature (storage/transport)	-40 °C ... 80 °C
Altitude	5000 m (above sea level)

Standards and regulations

Connection in accordance with standard

Normative cable length restrictions	NOTE: Cable management may be required. Cable management is required in the US if the cable length exceeds 7.5 m (IEC 61851-1).
-------------------------------------	--

Standards

Standards/regulations	IEC 62196-3
-----------------------	-------------

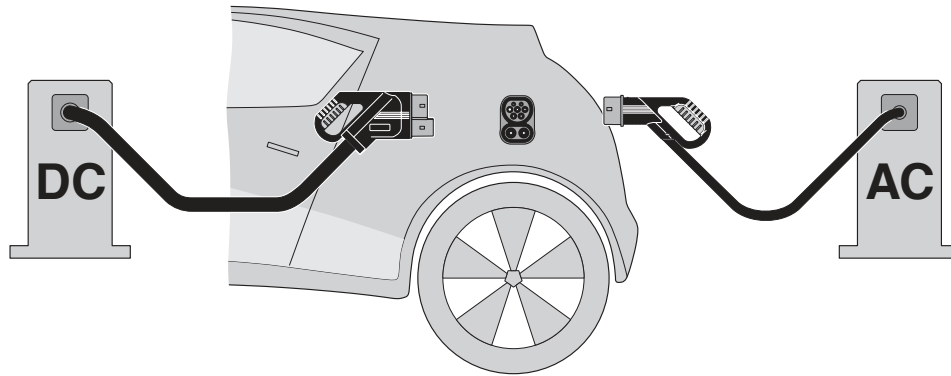
EV-T2M4CC-DC150A-8,0M35ESBK11 - DC charging cable

1192334

<https://www.phoenixcontact.com/us/products/1192334>

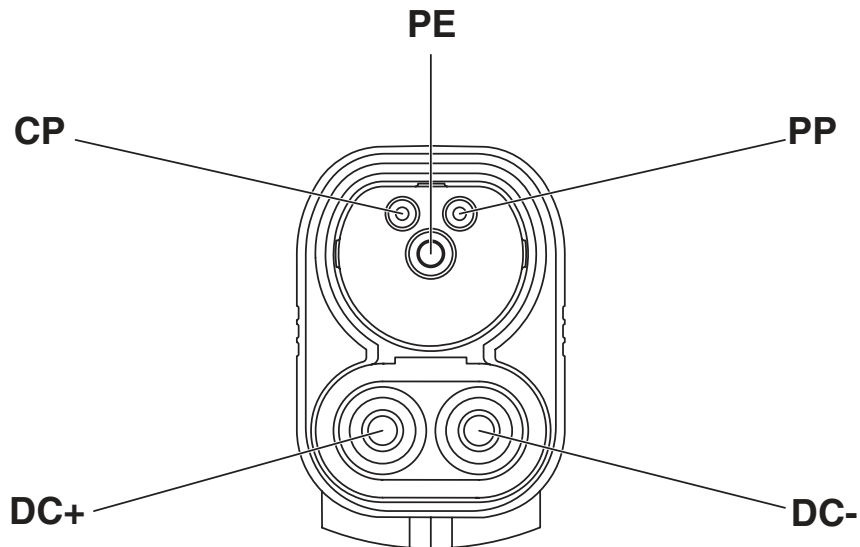
Drawings

Schematic diagram



The Combined Charging System (CCS) principle - standard-compliant charging system for electric vehicles, which supports both conventional AC charging and fast DC charging. Both Vehicle Connectors fit into the CCS Vehicle Inlet.

Schematic diagram



Pin assignment of the Vehicle Connector

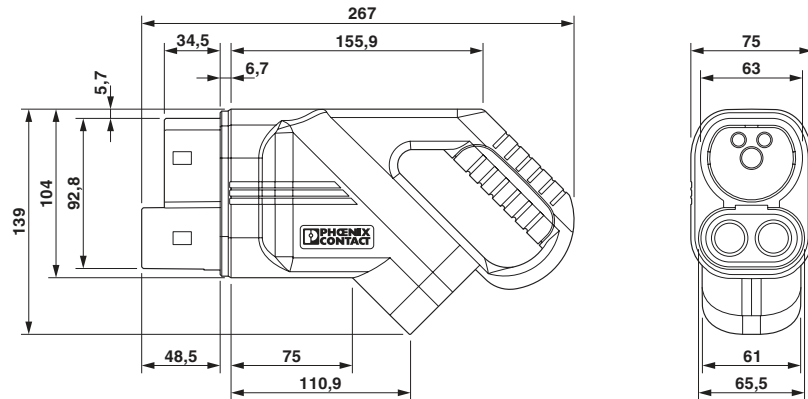
EV-T2M4CC-DC150A-8,0M35ESBK11 - DC charging cable



1192334

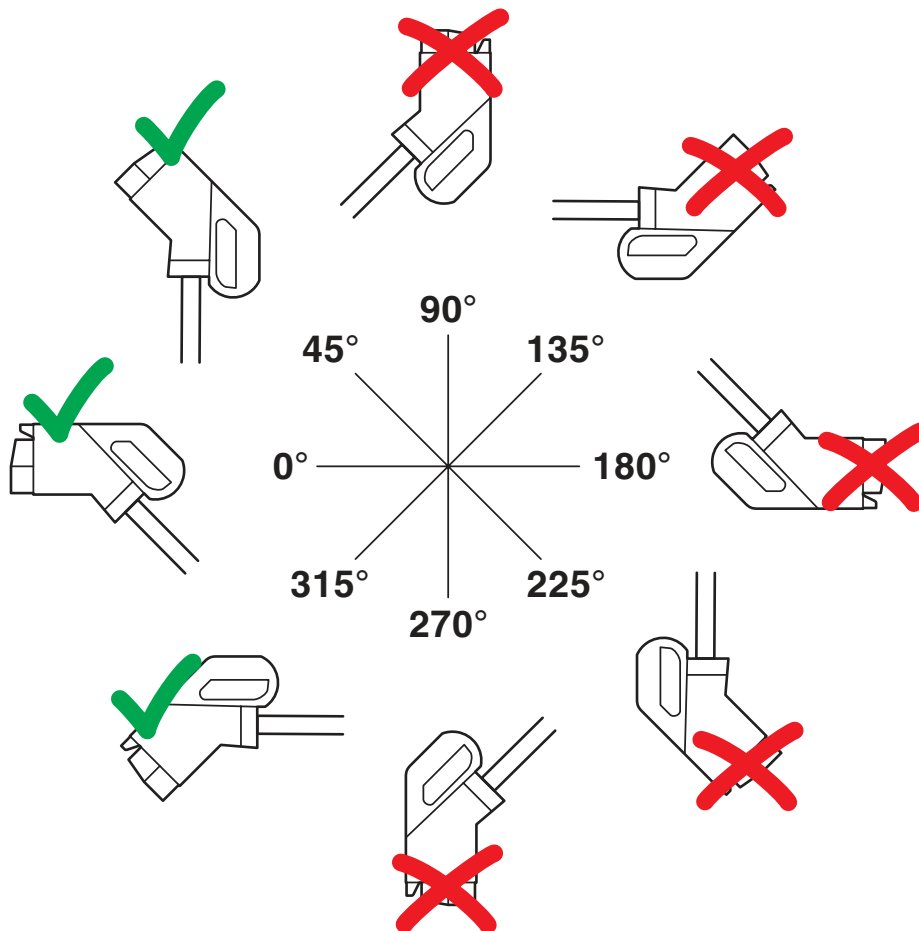
<https://www.phoenixcontact.com/us/products/1192334>

Dimensional drawing



Make sure that the vehicle charging connector is placed in an appropriate charging connector holder, which ensures a minimum protection rating of IP24 in accordance with IEC 61851-1, for the entire time between charging. To create this charging connector holder, use the dimensions of the vehicle charging connector. Detailed dimensions can also be found in the Download area.

Schematic diagram



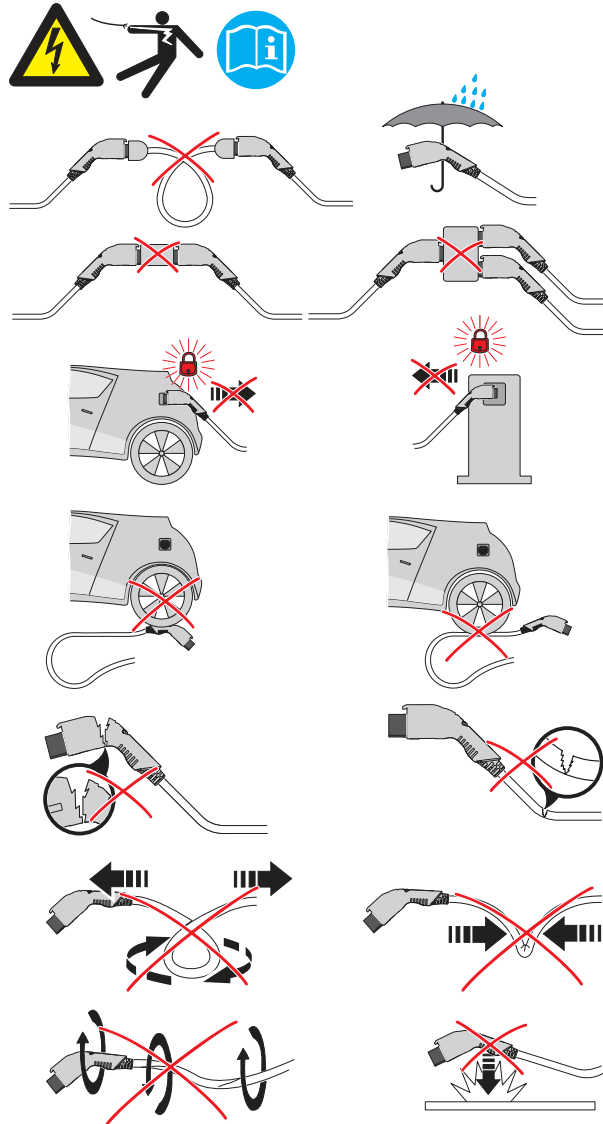
The resting position must be installed in the charging station such that the user cannot hang up the vehicle connector upside down (90° to 270°). However, positions rotated upward (45°) or downward (315°) are options for a resting position.

EV-T2M4CC-DC150A-8,0M35ESBK11 - DC charging cable

1192334

<https://www.phoenixcontact.com/us/products/1192334>

Schematic diagram



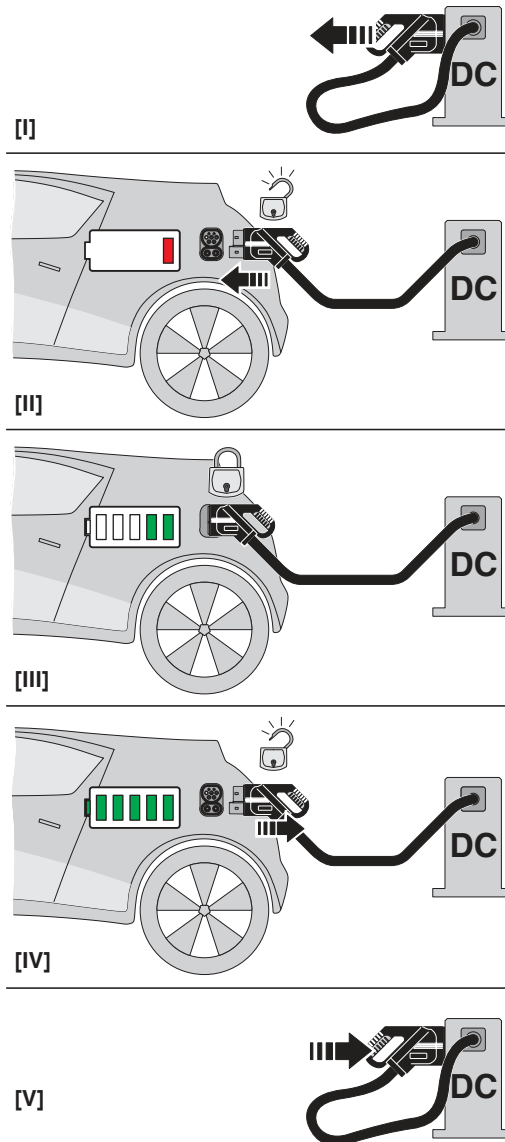
Warnings regarding use

EV-T2M4CC-DC150A-8,0M35ESBK11 - DC charging cable

1192334

<https://www.phoenixcontact.com/us/products/1192334>

Schematic diagram



Operating instructions

EV-T2M4CC-DC150A-8,0M35ESBK11 - DC charging cable




1192334

<https://www.phoenixcontact.com/us/products/1192334>

Approvals

To download certificates, visit the product detail page: <https://www.phoenixcontact.com/us/products/1192334>

 IECEE CB Scheme Approval ID: DE1-65588/M1		Nominal voltage U_N	Nominal current I_N	Cross section AWG	Cross section mm^2
		1000 V	150 A	-	-

EV-T2M4CC-DC150A-8,0M35ESBK11 - DC charging cable



1192334

<https://www.phoenixcontact.com/us/products/1192334>

Classifications

ECLASS

ECLASS-11.0	27144705
ECLASS-12.0	27144705
ECLASS-13.0	27144705

ETIM

ETIM 8.0	EC002897
----------	----------

UNSPSC

UNSPSC 21.0	39121500
-------------	----------

EV-T2M4CC-DC150A-8,0M35ESBK11 - DC charging cable



1192334

<https://www.phoenixcontact.com/us/products/1192334>

Environmental product compliance

REACH SVHC	Lead 7439-92-1
China RoHS	Environmentally Friendly Use Period = 10; For information on hazardous substances, refer to the manufacturer's declaration available under "Downloads"

EV-T2M4CC-DC150A-8,0M35ESBK11 - DC charging cable



1192334

<https://www.phoenixcontact.com/us/products/1192334>

Accessories

EV-T2CCS-PARK - Charging connector holder

1624153

<https://www.phoenixcontact.com/us/products/1624153>



CHARX connect standard, Charging connector holder, Accessories, for vehicle charging connectors on charging stations (EVSE), CCS type 2, IEC 62196-3, Front mounting, housing: black, Item is not compatible with the HPC CCS type 2 charging cable from Phoenix Contact.

EV-PLCC-AC1-DC1 - DC charging controller

1624130

<https://www.phoenixcontact.com/us/products/1624130>



Programmable charging controller for DC and AC charging of electric vehicles in accordance with IEC 61851-1,-23, DIN SPEC 70121, and CHAdeMO, with integrated cellular modem

EV-T2M4CC-DC150A-8,0M35ESBK11 - DC charging cable



1192334

<https://www.phoenixcontact.com/us/products/1192334>

EV-T2CCS-MF-M4X45-BIT - Repair kit

1085796

<https://www.phoenixcontact.com/us/products/1085796>



CHARX connect standard, Repair kit, Accessories, with replaceable mating face frame, with 5x M4X45 rounded head screws with Torx security drive, with special bit for insulated screwdriver, for replacement of the mating face frame of vehicle charging connectors, CCS type 2, IEC 62196-3, housing: black, The vehicle connector housing does not have to be opened in order to replace the mating face frame.

EV-T2CCS-MF-M4X45 - Repair kit

1081734

<https://www.phoenixcontact.com/us/products/1081734>



CHARX connect standard, Repair kit, Accessories, with replaceable mating face frame, with 5x M4X45 rounded head screws with Torx security drive, for replacement of the mating face frame of vehicle charging connectors, CCS type 2, IEC 62196-3, housing: black, The vehicle connector housing does not have to be opened in order to replace the mating face frame.

EV-T2M4CC-DC150A-8,0M35ESBK11 - DC charging cable



1192334

<https://www.phoenixcontact.com/us/products/1192334>

EV-LABEL-K - Label

1309761

<https://www.phoenixcontact.com/us/products/1309761>

CHARX connect, Label, Accessories, for CCS type 2 vehicle charging connector, DIN EN 17186, adhesive



EV-LABEL-L - Label

1309765

<https://www.phoenixcontact.com/us/products/1309765>

CHARX connect, Label, Accessories, for CCS type 2 vehicle charging connector, DIN EN 17186, adhesive



EV-T2M4CC-DC150A-8,0M35ESBK11 - DC charging cable



1192334

<https://www.phoenixcontact.com/us/products/1192334>

G-INS-M40-L68N-PNES-BK - Cable gland

1424484

<https://www.phoenixcontact.com/us/products/1424484>



Cable gland, material for screw connection: PA, external cable diameter 22 mm .
.. 32 mm, shielding: no, connecting thread: M40 x 1.5, color: jet black RAL 9005

CHARX PS/3AC/920DC/87.5KW - DC power module

1162690

<https://www.phoenixcontact.com/us/products/1162690>



CHARX power basic, Fast charging module for setting up DC charging stations, Rack mounting, input: 3-phase, output: 200 V DC...920 V DC / 125 A. The corresponding system control cabinet CHARX PS-CAB/4x87.5KW (Item No. 1165442) is necessary for operating the DC power module

EV-T2M4CC-DC150A-8,0M35ESBK11 - DC charging cable



1192334

<https://www.phoenixcontact.com/us/products/1192334>

CHARX PS-M2/3AC/1000DC/30KW - DC power module

1232243

<https://www.phoenixcontact.com/us/products/1232243>

CHARX power basic, Fast charging module for setting up DC charging stations, 19" rack mounting, CAN bus, input: 3-phase, output: 150 V DC...1000 V DC / 0 A...100 A



CHARX PS-M2/825DC/1000DC/30KW - DC power module

1296467

<https://www.phoenixcontact.com/us/products/1296467>

CHARX power basic, Fast charging module for setting up DC charging stations, 19" rack mounting, CAN bus, output: 150 V DC...1000 V DC / 0 A...100 A



Phoenix Contact 2023 © - all rights reserved
<https://www.phoenixcontact.com>

Phoenix Contact USA
586 Fulling Mill Road
Middletown, PA 17057, United States
(+717) 944-1300
info@phoenixcon.com