

LOC	DIST	REVISIONS					
A	00	P	LTR	DESCRIPTION	DATE	DWN	APVD
			B1	SEE PRODUCT DRAWING	-	-	-


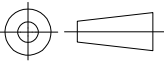
SEE PRODUCTION DRAWING
 1385479

RELEASED FOR PUBLICATION

ALL RIGHTS RESERVED.

THIS DRAWING IS UNPUBLISHED.

© COPYRIGHT - By -

DIMENSIONS: INCHES	DWN	18APR2012	MATERIAL	-	FINISH	-
	CHK	-	 TE Connectivity			
TOLERANCES UNLESS OTHERWISE SPECIFIED:	APVD	-				
0 PLC ± -	PRODUCT SPEC	-	NAME			
1 PLC ± -	APPLICATION SPEC	-	SIDE FEED HDM APPLICATOR			
2 PLC ± -			SIZE	CAGE CODE	DRAWING NO	RESTRICTED TO
3 PLC ± -			A4	00779	C-1385479	-
4 PLC ± -	WEIGHT	-	CUSTOMER DRAWING			
ANGLES ± -			SCALE	1:1	SHEET	1 OF 1
					REV	B1