



SHUR-PLUG 180

TE Internal #: 170889-2

Crimp Terminal Housings, Receptacle, Receptacle, 1 Position,
 Straight, Natural, Soft Vinyl Chloride, -40 – 105 °C [-40 – 221 °F],
 SHUR-PLUG 180

[View on TE.com >](#)

Terminals & Splices > Terminal Housings, Insulation Sleeves & Blocks > Crimp Terminal Housings



Terminal Type: **Receptacle**
 Connector & Housing Type: **Receptacle**
 Number of Positions: **1**
 Terminal Orientation: **Straight**
 Primary Product Color: **Natural**

Features

Product Type Features

Sealable	No
Connector & Contact Terminates To	Wire & Cable
Connector & Housing Type	Receptacle

Configuration Features

Number of Positions	1
---------------------	---

Body Features

Primary Product Color	Natural
-----------------------	---------

Contact Features

Terminal Type	Receptacle
Terminal Orientation	Straight
Contact Mating Retention	Without

Mechanical Attachment

Mating Alignment Type	None
-----------------------	------



Mating Alignment Without

Housing Features

Housing Material Soft Vinyl Chloride

Dimensions

Product Length 34 mm[1.338 in]

Compatible Insulation Diameter Range 3.2 – 4.5 mm

Usage Conditions

Operating Temperature Range -40 – 105 °C[-40 – 221 °F]

Packaging Features

Packaging Quantity 1000

Product Compliance

[For compliance documentation, visit the product page on TE.com>](#)

EU RoHS Directive 2011/65/EU Compliant

EU ELV Directive 2000/53/EC Compliant

China RoHS 2 Directive MIIT Order No 32, 2016 No Restricted Materials Above Threshold

EU REACH Regulation (EC) No. 1907/2006
 Current ECHA Candidate List: JUNE 2023 (235)
 Candidate List Declared Against: JUNE 2023 (235)
 SVHC > Threshold:
 Dioctyltin dilaurate derivs (.3% in Component Part)

Halogen Content Not Low Halogen - contains Br or Cl > 900 ppm.

Solder Process Capability Not applicable for solder process capability

Product Compliance Disclaimer

This information is provided based on reasonable inquiry of our suppliers and represents our current actual knowledge based on the information they provided. This information is subject to change. The part numbers that TE has identified as EU RoHS compliant have a maximum concentration of 0.1% by weight in homogenous materials for lead, hexavalent chromium, mercury, PBB, PBDE, DBP, BBP, DEHP, DIBP, and 0.01% for cadmium, or qualify for an exemption to these limits as defined in the Annexes of Directive 2011/65/EU (RoHS2). Finished electrical and electronic equipment products will be CE marked as required by Directive 2011/65/EU. Components may not be CE marked. Additionally, the part numbers that TE has identified as EU ELV compliant have a maximum concentration of 0.1% by weight in homogenous materials for lead, hexavalent chromium, and mercury, and 0.01% for cadmium, or qualify for an exemption to these limits as defined in the Annexes of Directive 2000/53/EC (ELV). Regarding the REACH Regulation, the information TE provides on SVHC in articles for this part number is based on the latest European Chemicals Agency (ECHA) 'Guidance on requirements for substances in articles' posted at this URL: <https://echa.europa.eu/guidance-documents/guidance-on-reach>

Compatible Parts



TE Part # 170887-3
IS SHUR PLG 5 DIA NAT



TE Part # 170889-3
SLEEVE DIA5 SHUR PLUG NAT



TE Part # 1217070-1
SHUR PLUG 180 RECEPTACLE 12-8 AWG TPBR



TE Part # 1217606-1
.156 DIA SHUR PLUG PTPBR



TE Part # 170889-1
SLEEVE DIA5 SHUR PLUG NAT



TE Part # 170887-1
SLEEVE DIA5 SHUR PLUG NAT



TE Part # 170887-4
SLEEVE DIA5 SHUR PLUG NAT




TE Part # 1217074-2
SHUR PLUG,180,REC.,2 X 8 AWG,TPBR



TE Part # 42531-3
180 SHPL REC 20-16 016PHBZ

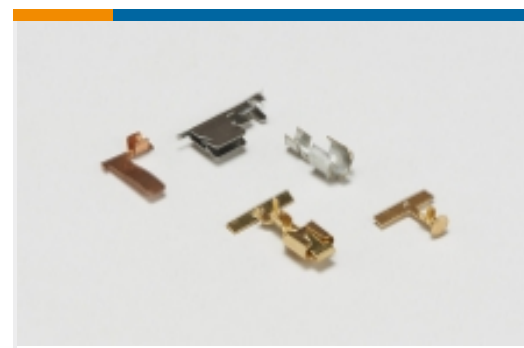
Also in the Series | SHUR-PLUG 180



Crimp Terminal Housings(6)

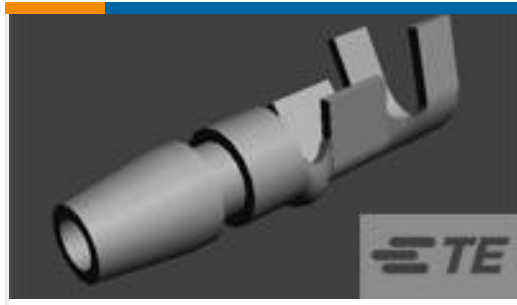


Crimp Wire Pins, Tabs & Ferrules(37)

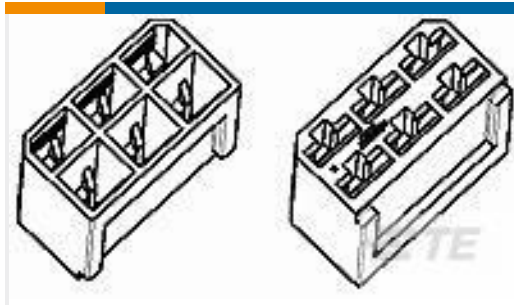


Special Purpose Terminals(1)

Customers Also Bought



TE Part #170020-1
SHUR PLUG 20-14 MM2 TPBR



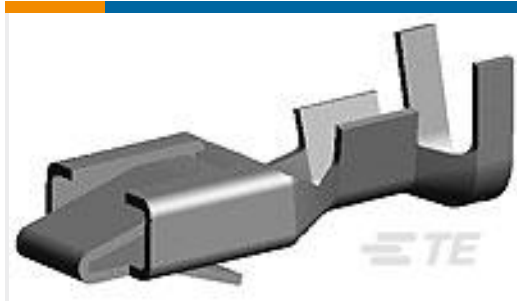
TE Part #1-480281-0
FF 250 REC HSG 6P NYLON BLACK



TE Part #42899-2
RING TONGUE 10-6 AWG TPBR



TE Part #63646-1
187 FASTON REC 20-16 AWG BR



TE Part #640417-2
BLADE REC 250 18-14AWG TPBR



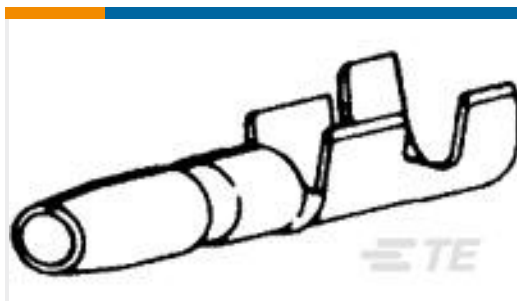
TE Part #41711
RING TERMINAL 22-18 AWG TPBR



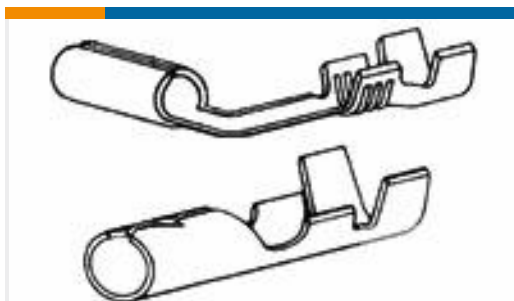
TE Part #61397-1
RING TERMINAL CRIMP 18-14 AWG TPBR



TE Part #60322-2
AMPLIVAR RG 20-16 8 TPBR



TE Part #60766-1
SHUR PLUG 156 18-14 AWG BR



TE Part #42142-2
SHUR PLUG TERMINAL 18-14 AWG BR

Documents

Product Drawings

[SLEEVE DIA3 SHUR PLUG NAT](#)

English

CAD Files

[3D PDF](#)

3D

Customer View Model

[ENG_CVM_CVM_170889-2_B.2d_dxf.zip](#)

English

Customer View Model

[ENG_CVM_CVM_170889-2_B.3d_igs.zip](#)

English

Customer View Model

[ENG_CVM_CVM_170889-2_B.3d_stp.zip](#)

English

By downloading the CAD file I accept and agree to the [Terms and Conditions](#) of use.

Product Environmental Compliance

170889-2

Crimp Terminal Housings, Receptacle, Receptacle, 1 Position, Straight, Natural, Soft Vinyl Chloride, -40 – 105 °C [-40 – 221 °F], SHUR-PLUG 180



[MD_170889-2_01022018728_dmtec](#)

English

[MD_170889-2_01022018728_dmtec](#)

English