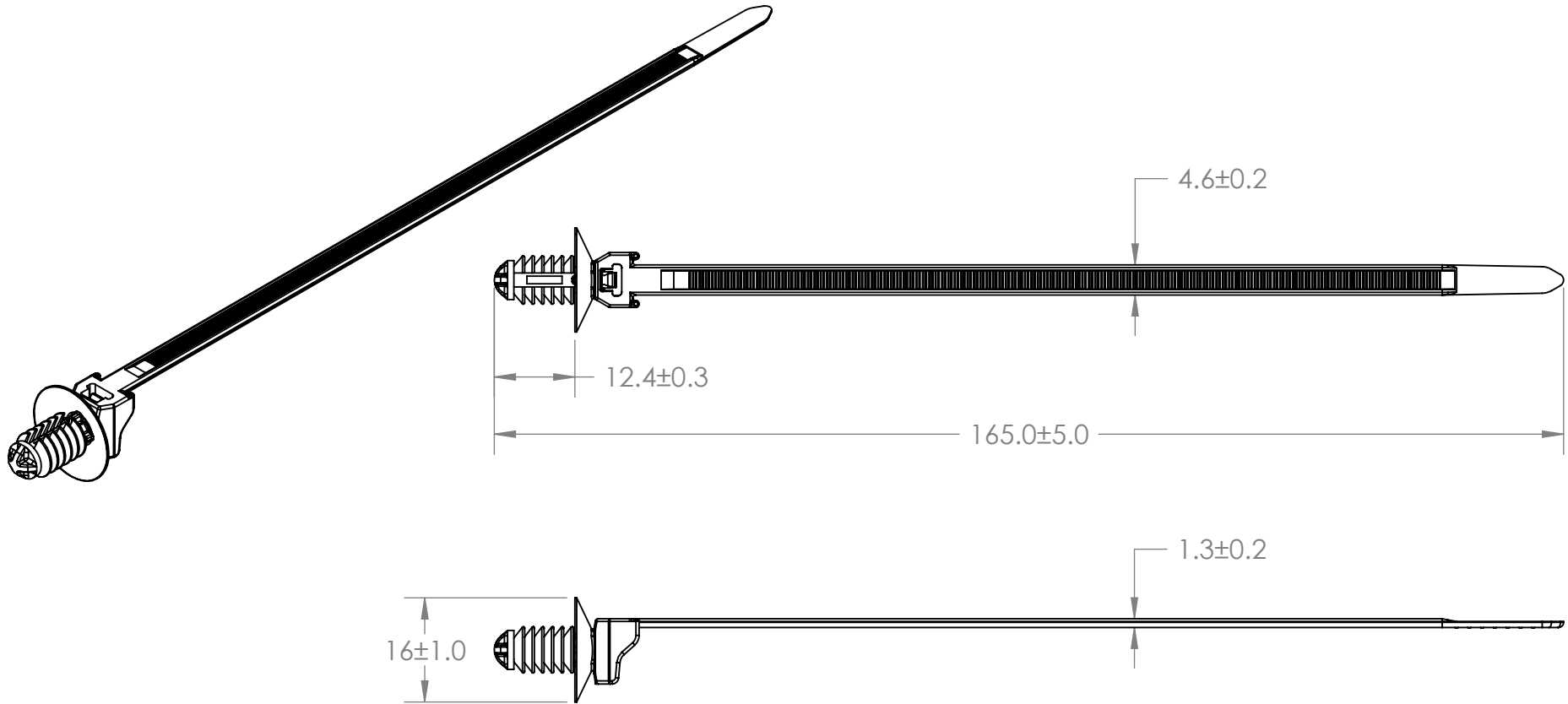


SW2009



Revision level		Revision Record	Changed	Date	Approved	Date
Drawing	Part					
<b>04</b>	-	SEE ECN# 011651	TJM	10/1/2010	TJM	10/01/2010



04

**Material**  
PA66HS, PA66HIRHSUV

1.0 to 35.0	180	6.3-7.0	0.7-7.0
Bundle $\phi$ Range	Min Loop Tensile Strength (Newtons)	Mounting Hole Size	Panel Thickness Range

PERFORMANCE SPECIFICATIONS

Units millimeters

Dimension without tolerances details to:

- .xxxx = ±.0025
- .xxx = ±.013
- .xx = ±.13
- .x = ±.3
- None = ±.8
- ∠ = ±0.5°

The copyright of this drawing is reserved by HellermannTyton. It is issued on condition that it is not reproduced, copied, or disclosed to a third party, either wholly or in part, without the consent of HellermannTyton.

Drawn	AAC	7/12/2010	Article/Type-No	T50SOSFT6LGE	Scale	1:1
Approved	TJM	10/01/2010	Title	T50SOSFT6LG-E T50S OUTSIDE SERRATED WITH FIR TREE	Project Number	PRP09-0334
<p><b>HellermannTyton</b> North America Email: corp@htamericas.com Web: www.hellermann.tyton.com</p>			Drawing-No	Production : Phase	Format	AH
			<b>CT09-0334-003CST</b>		Sheet	1/1

**Product Number**  
**Cross Reference Record**

Uncontrolled Document

<b>Type Number</b>	<b>UNS Universal Number System</b>	<b>Customer Drawing Title</b>
T50SOSFT6LGE(BLK)	157-00097	

Issued By:	Reference Drawing Number:	Issue Date:
<b>HellermannTyton</b>	CT09-0334-003CST	<b>JULY 11,2013</b>