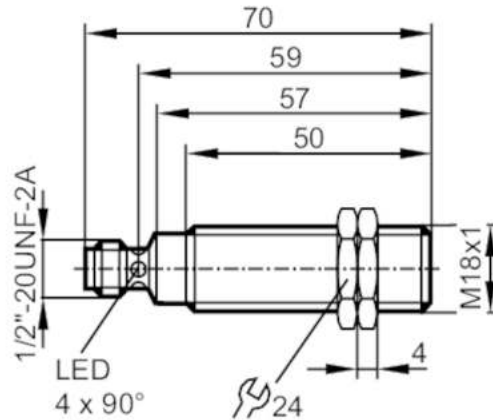


# IGT002



## Inductive sensor

IGK2005-ARKA/M/V4A/LS-104AK



### Product characteristics

Output function		normally open
Sensing range	[mm]	5
Housing		threaded type
Dimensions	[mm]	M18 x 1 / L = 70

### Application

Application	regular cleaning processes
-------------	----------------------------

### Electrical data

Operating voltage	[V]	20...140 AC/DC
Protection class		II
Reverse polarity protection		yes
Max. power-on delay time	[ms]	1000

### Outputs

Output function		normally open
Max. voltage drop switching output DC	[V]	5.5
Max. voltage drop switching output AC	[V]	5.5
Minimum load current	[mA]	5
Max. leakage current	[mA]	1
Permanent current rating of switching output AC	[mA]	80; (200 (...80 °C))
Permanent current rating of switching output DC	[mA]	80; (200 (...80 °C))
Short-time current rating of switching output	[mA]	1200; (20 ms / 0,5 Hz)
Switching frequency AC	[Hz]	25
Switching frequency DC	[Hz]	400
Short-circuit protection		yes
Type of short-circuit protection		pulsed
Overload protection		yes

# IGT002



## Inductive sensor

IGK2005-ARKA/M/V4A/LS-104AK

Detection zone		
Sensing range	[mm]	5
Operating distance	[mm]	0...4.05
Accuracy / deviations		
Correction factor		steel: 1 / stainless steel: 0.7 / brass: 0.5 / aluminium: 0.4 / copper: 0.3
Hysteresis	[% of Sr]	1...20
Operating conditions		
Ambient temperature	[°C]	0...100
Protection		IP 68; IP 69K; ("COP")
Tests / approvals		
EMC	EN 61000-4-2 ESD	4 kV CD / 8 kV AD
	EN 61000-4-3 HF radiated	10 V/m
	EN 61000-4-4 Burst	2 kV
	EN 61000-4-5 Surge	0,5 kV line to line, Ri: 2 Ohm
	EN 61000-4-6 HF conducted	10 V
	EN 55011	class B
MTTF	[years]	394
UL approval	Ta	0...40 °C
	Enclosure type	Type 1
	power supply	Hazardous voltage
	File number UL	E174191
Mechanical data		
Weight	[g]	60.6
Housing		threaded type
Mounting		flush mountable
Dimensions	[mm]	M18 x 1 / L = 70
Thread designation		M18 x 1
Materials		threaded sleeve: stainless steel (1.4404 / 316L); sensing face: PEEK; lock nuts: stainless steel
Displays / operating elements		
Display	switching status	4 x 90° LED, yellow
Accessories		
Items supplied		lock nuts: 2
Remarks		
Pack quantity		1 pcs.

# IGT002



## Inductive sensor

IGK2005-ARKA/M/V4A/LS-104AK

### Electrical connection - plug

Connector: 1 x 1/2"; coding: C

