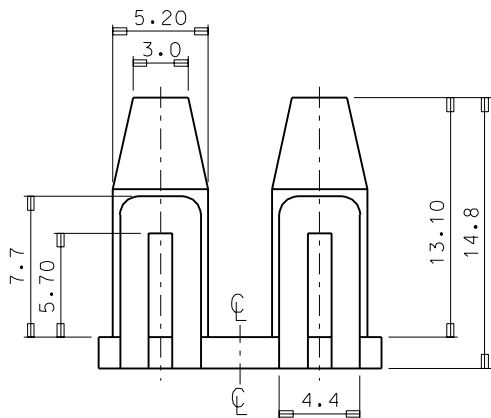
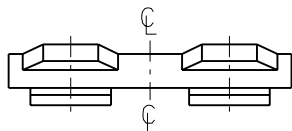


ENG. NO.
SD_35182-029*

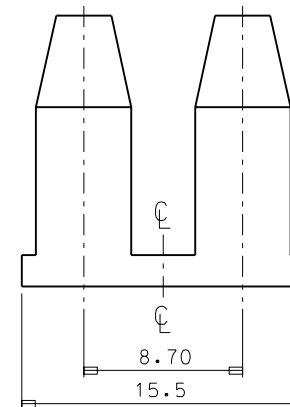
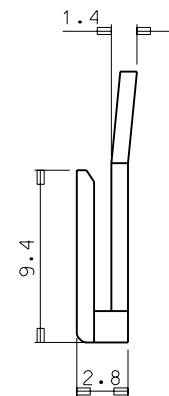
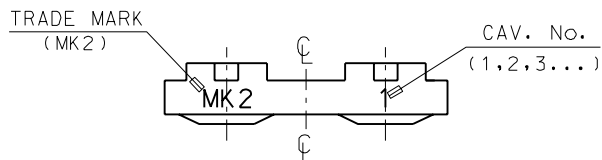
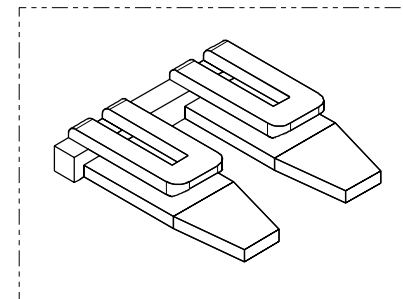
EDP NO.

SIMILAR ITEM

PROJECT NO.
.070 MULTI CONN'



- NOTES
- MATERIAL : NYLON 66 (UL94V-2)
 - COLOR : 35182-0290 (NATURAL)
35182-0292 (RED)
35182-0293 (YELLOW)
35182-0294 (BLUE)
 - MATCHED HOUSING : 35180-040*



				MATERIAL SEE NOTES		molex MOLEX-KOREA CO.,LTD.	
				GENERAL TOLERANCE DIMENSION : ± 0.3 ANGLE : $\pm 1^\circ$		DRAWN BY J. S. KANG	CHK'D BY
				DIMENSION CLASSIFICATION ▽ : CRITICAL ▼ : MAJOR () : REFERENCE		APP'D BY	SCALE 4/1
A	NEW RELEASED	PDR 94-044	95 9.28	ASS'Y PART		TITLE : .070 MULTI MALE HOUSING T.P. A-2P	
LTR	REVISION RECORD	ECN	DATE	DESCRIPTION ENG. NO.		SHEET 1 of 1	
REVISE ONLY ON CAD SYSTEM				---		ENG. NO. SD 35182-029*	
				---		REV A	