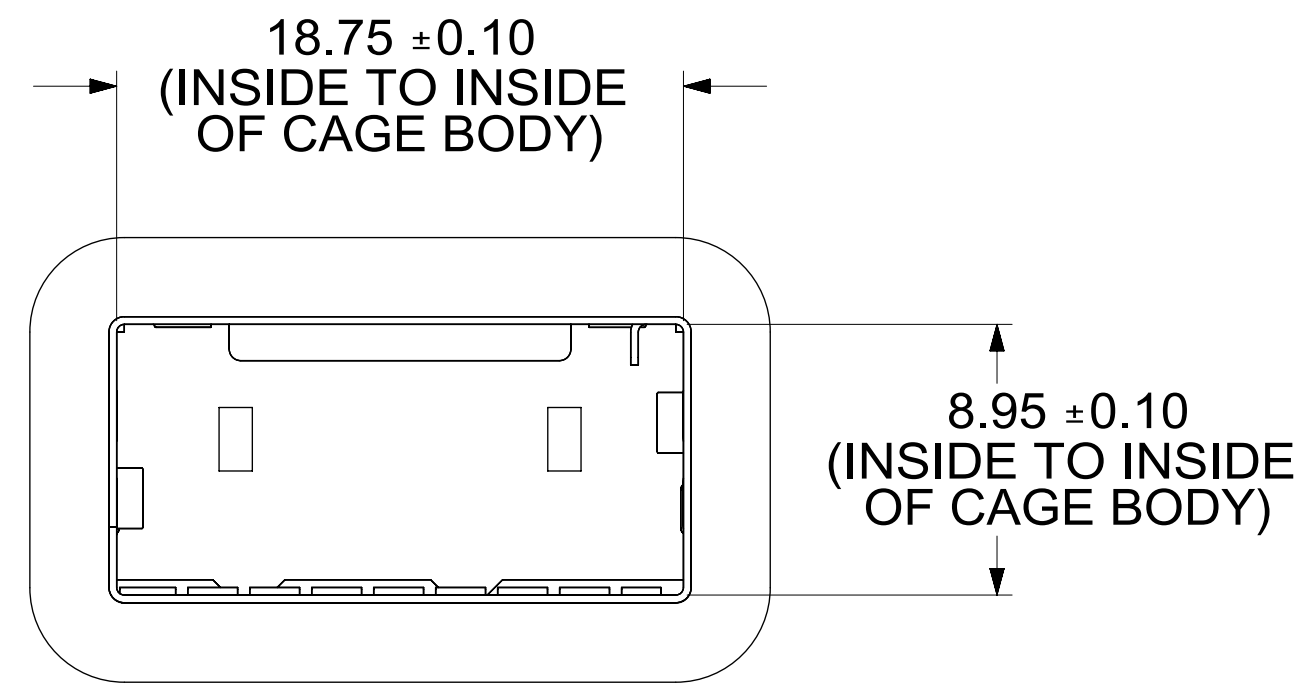
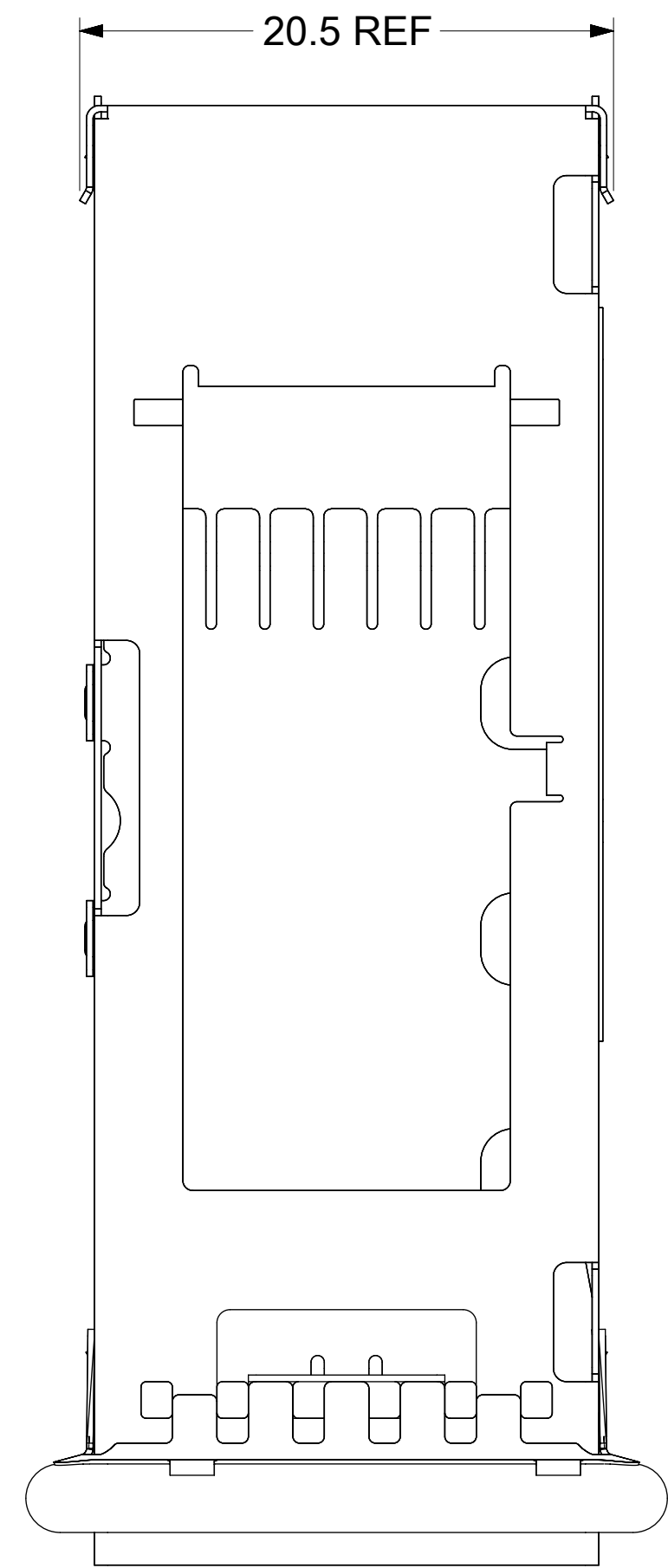
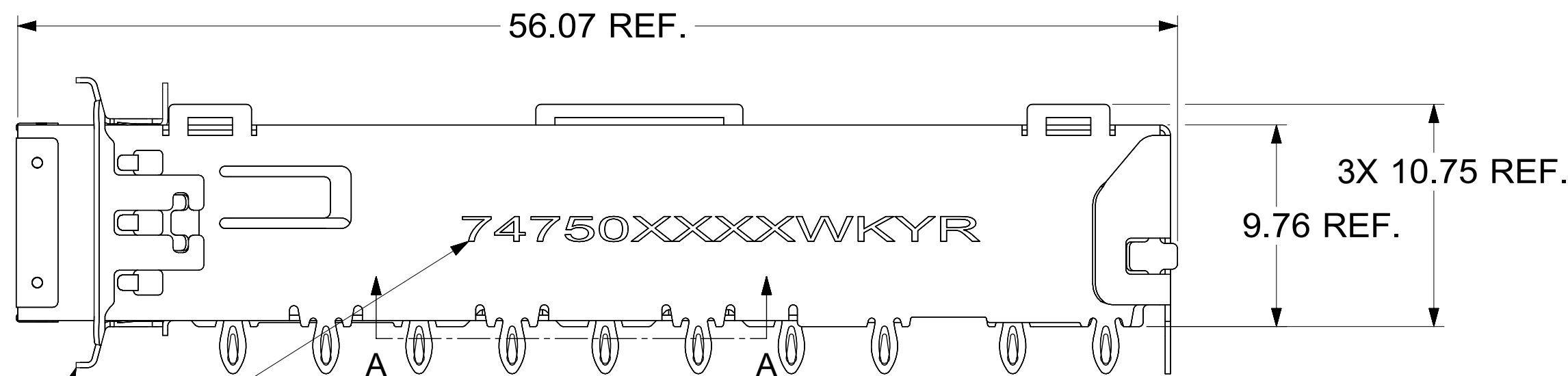
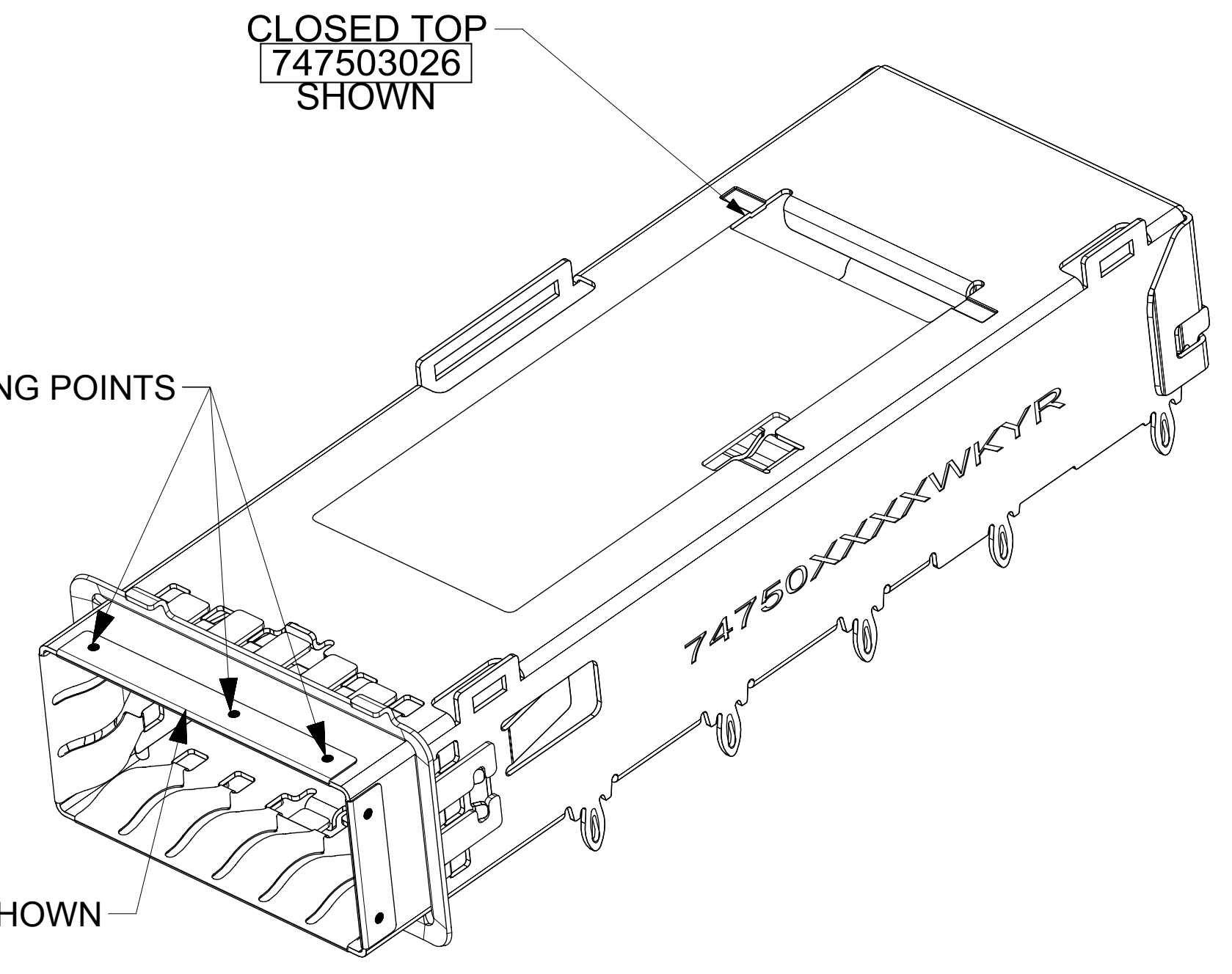
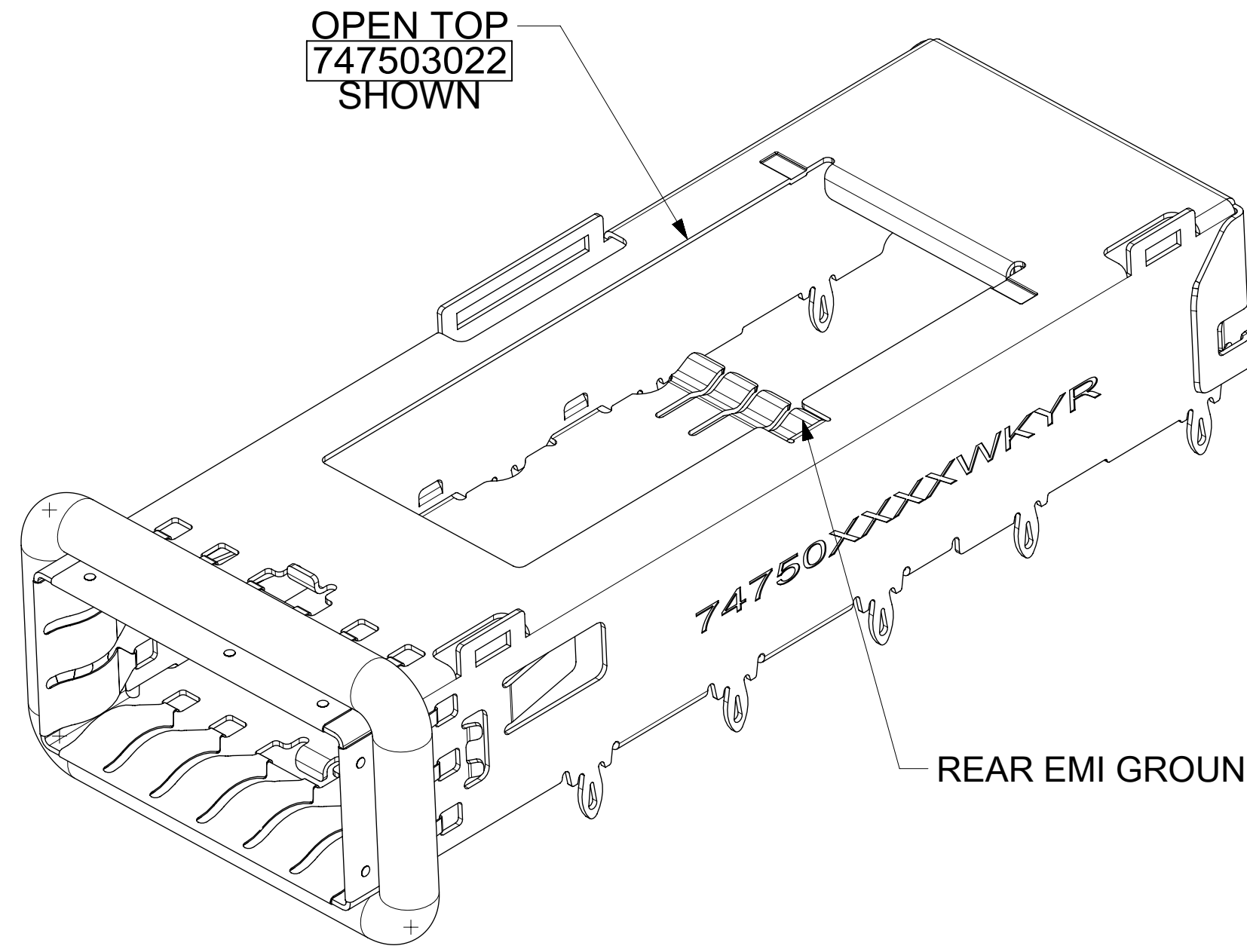


# CAGE DETAILS

(APPLIES TO ALL CAGES IN THIS DRAWING)



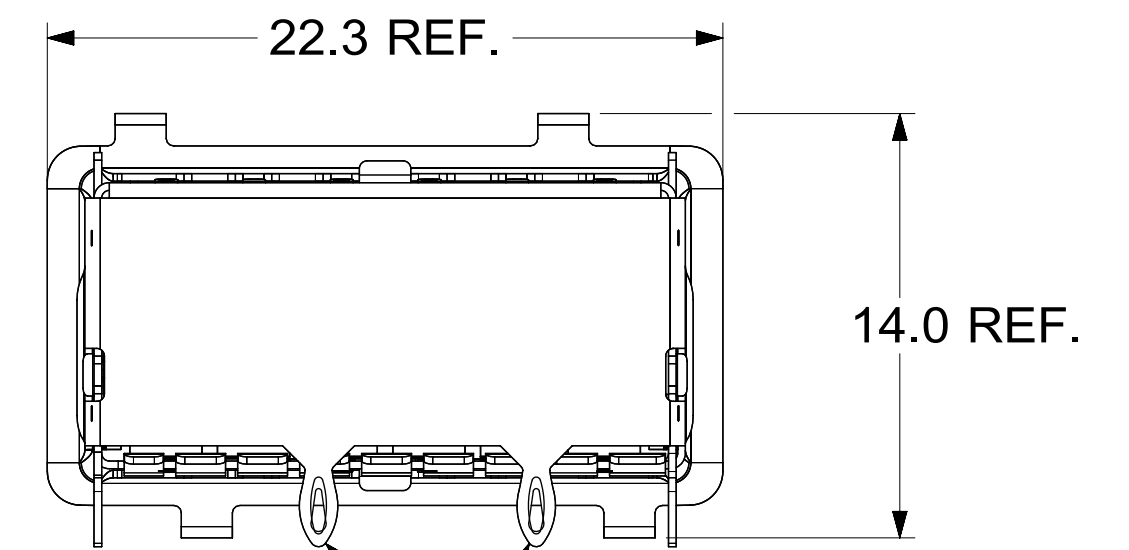
NOTE:  
INTERNAL SPRING FINGERS  
REMOVED FROM THIS VIEW FOR CLARITY.



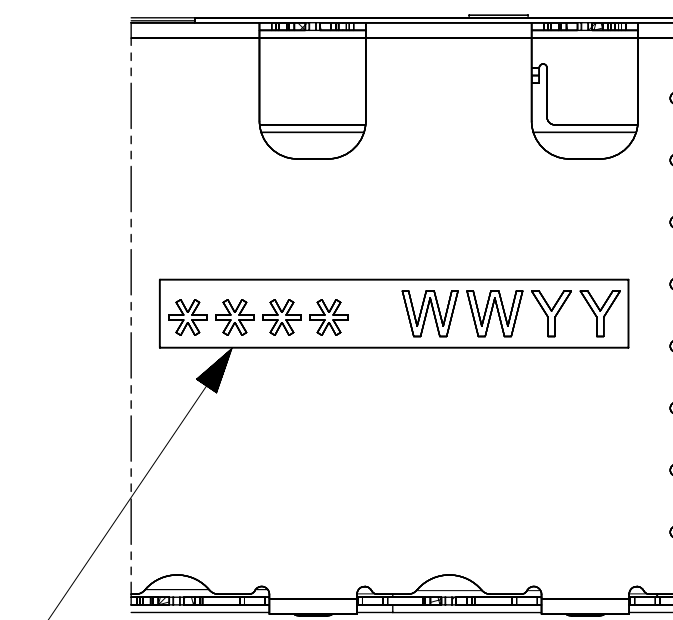
GASKET NOT SHOWN FOR CLARITY

REAR PINS ARE OPTIONAL (SEE CHART)

NOTE:  
GASKET REMOVED FROM THIS VIEW FOR CLARITY.



WEEK/YEAR DATE CODE TABLE	
WK	WEEK OF THE YEAR 01 THRU 52 (EXAMPLE: 01= FIRST WEEK OF YEAR 52= LAST WEEK OF YEAR)
YR	22, 23, 24 ETC.. (EXAMPLE: YEAR 2022= 22)

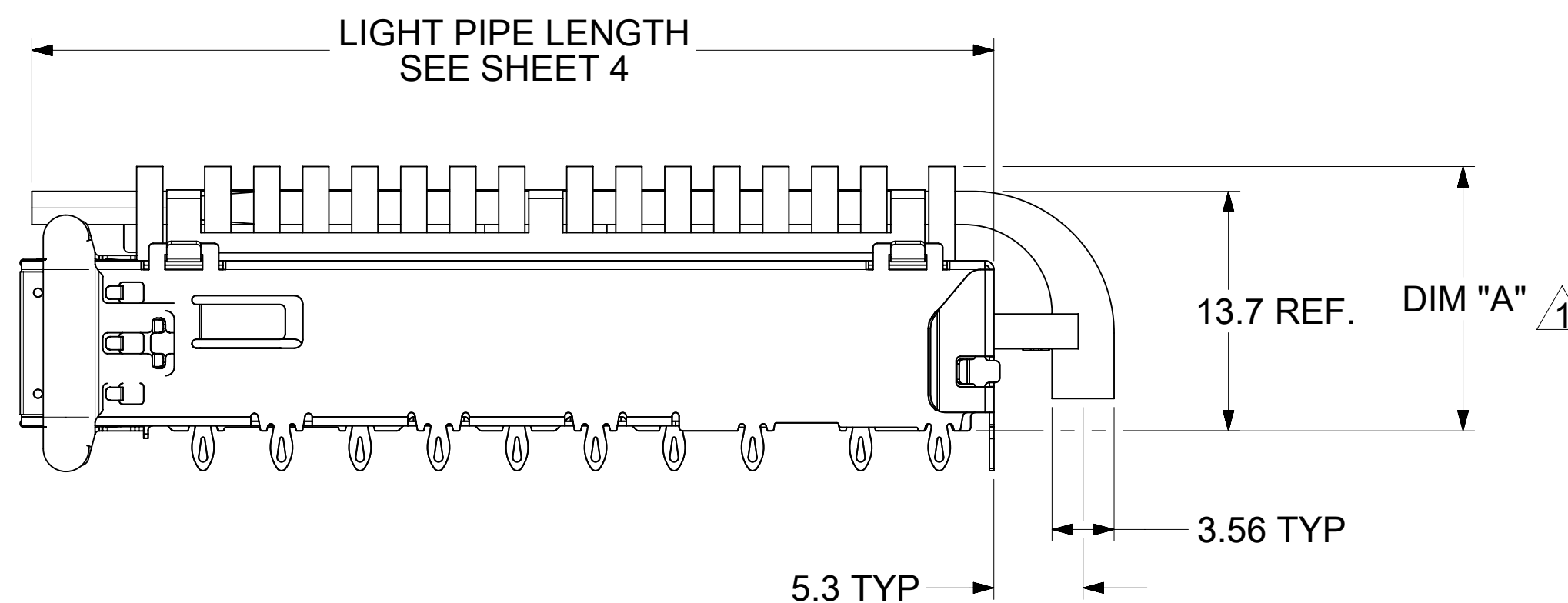
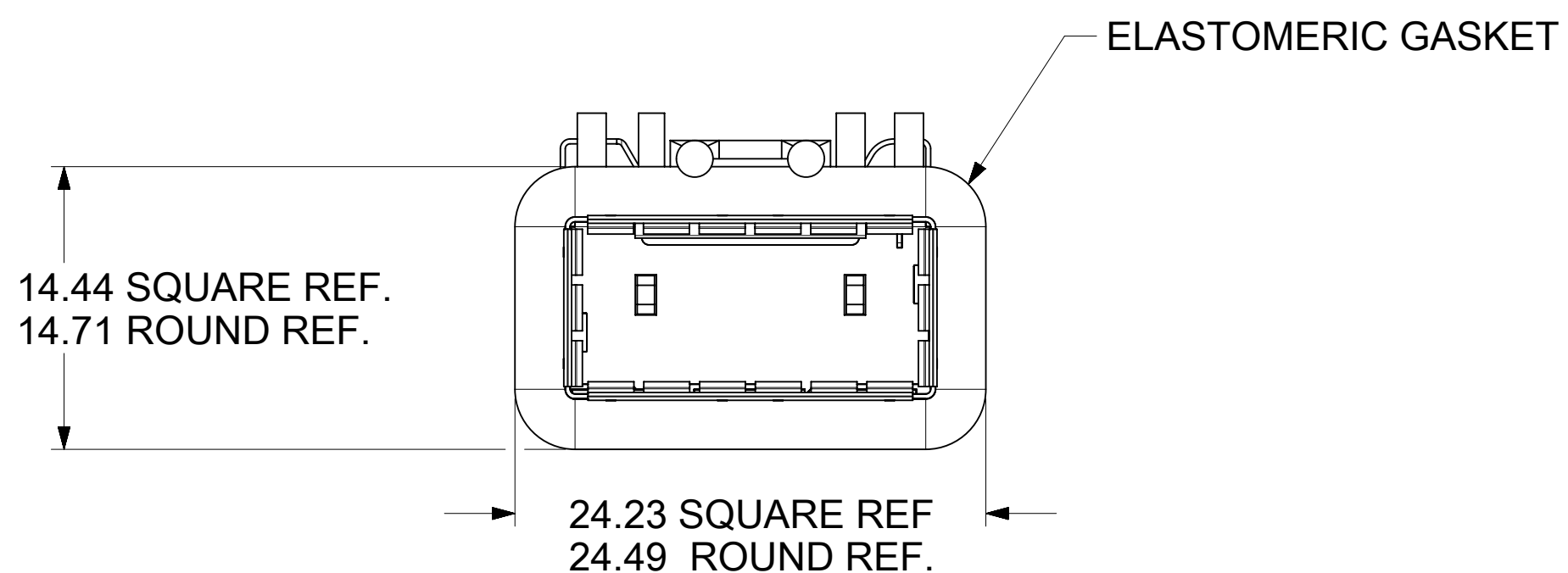
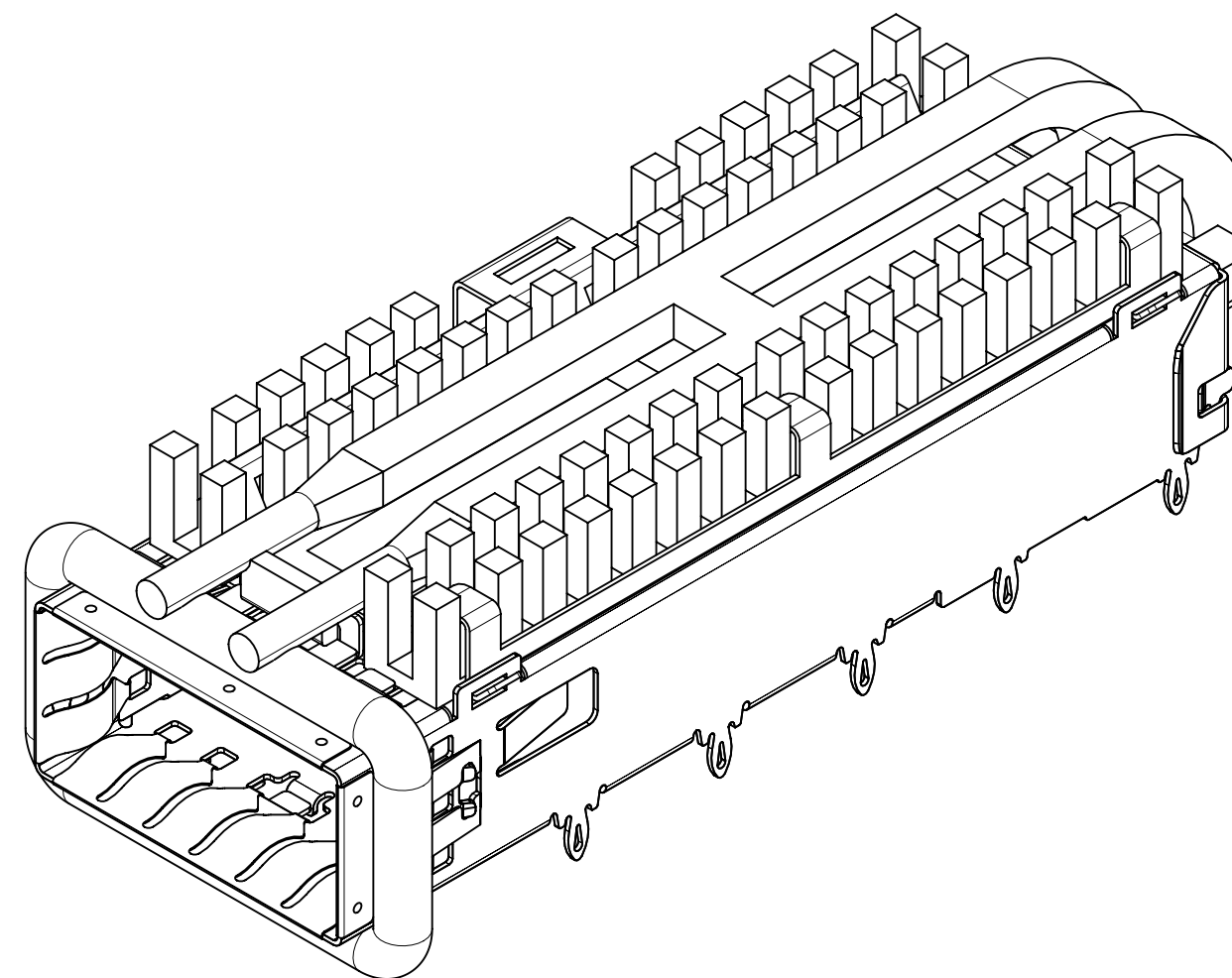
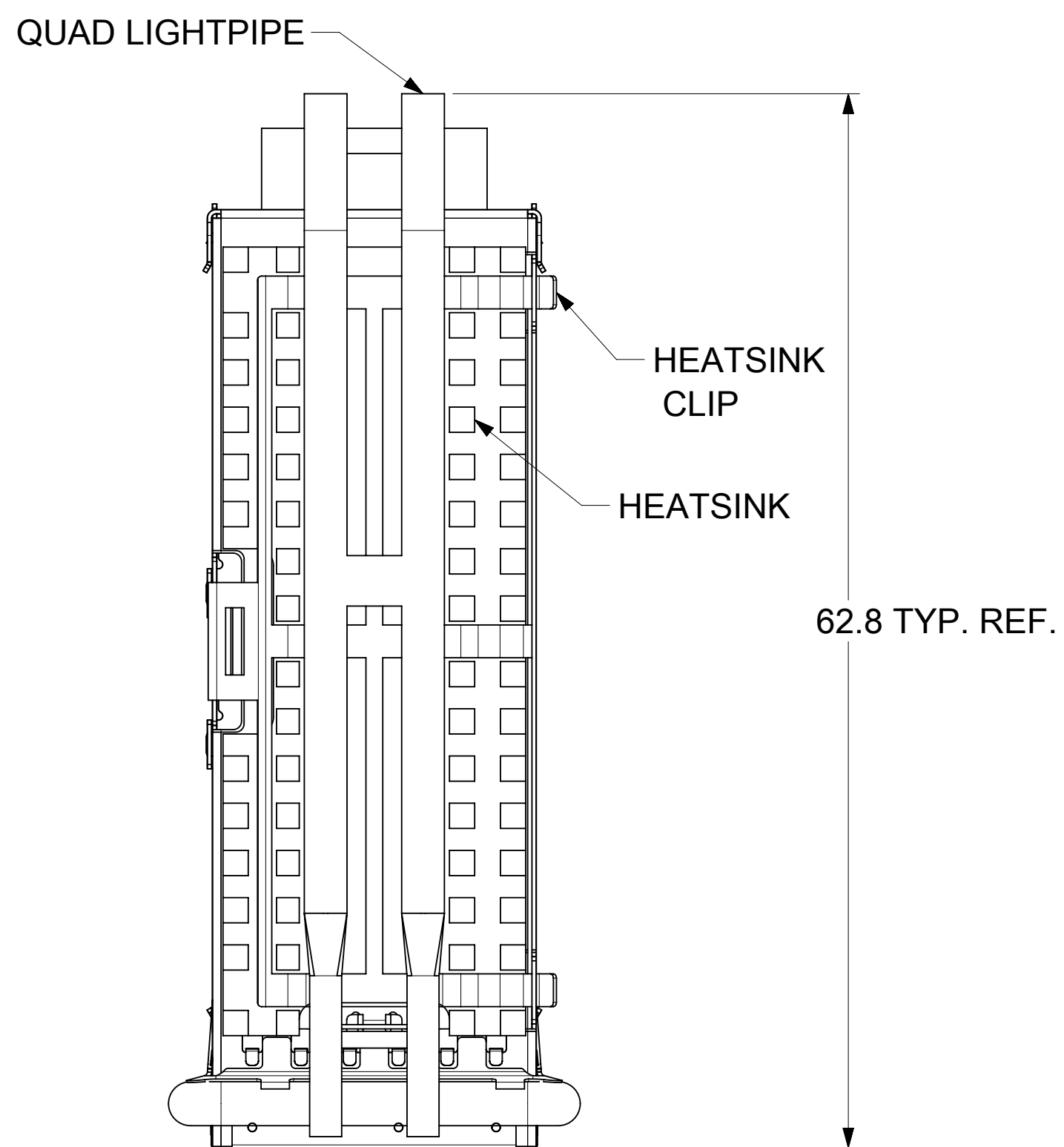


SECTION A-A

- NOTES:
- PRESS FIT LEGS 2.28mm LONG
  - MATERIAL:  
CAGE: 0.25mm THICK COPPER ALLOY, NICKEL PLATED  
SPRING FINGERS: STAINLESS STEEL  
LIGHT PIPE/HEAT SINK CLIP: STAINLESS STEEL  
LIGHT PIPES: POLYCARBONATE (UL 94-V0 RATED)  
HEATSINKS: ALUMINUM (BLACK ANNOXIDIZED).  
ELASTOMERIC GASKET: SILICON, COLOR BLACK
  - CUSTOM HEATSINKS AVAILABLE UPON REQUEST
  - QSFP+ ASSEMBLES ALSO AVAILABLE IN 1X2 (74767 SERIES), 1X3 (74768 SERIES), 1X4 (74769 SERIES) AND 1X6 (74771 SERIES).
  - PACKAGED IN TRAYS.
  - NO RoHS EXEMPTIONS.
  - WELD SPOTS MAY SHOW SLIGHT MATERIAL DISCOLORATION

THIS DRAWING CONTAINS INFORMATION THAT IS PROPRIETARY TO MOLEX ELECTRONIC TECHNOLOGIES, LLC AND SHOULD NOT BE USED WITHOUT WRITTEN PERMISSION											
DIMENSION UNITS		SCALE		CURRENT REV DESC: SEE REV TABLE.							
mm		1:1		<p><b>molex</b></p> <p>QSFP+ 1X1 CAGE ASSEMBLY W / ELASTOMERIC GASKET, SUS INNER SPRING FINGER (ROUND &amp; SQUARE)</p> <p>PRODUCT CUSTOMER DRAWING</p> <p>DOCUMENT NUMBER: <b>747503022</b>    DOC TYPE: PSD    DOC PART: ASY    REVISION: <b>A1</b></p> <p>MATERIAL NUMBER: SEE SHEET 4    CUSTOMER:    SHEET NUMBER: 1 OF 9</p>							
GENERAL TOLERANCES (UNLESS SPECIFIED)											
ANGULAR TOL ± 1.0°											
4 PLACES ±		EC NO: 735397									
3 PLACES ±		DRWN: VISHNM2    2022/10/19									
2 PLACES ± 0.13		CHK'D: PRARTP    2023/01/18									
1 PLACE ± 0.25		APPR: SCHIEN    2023/01/18									
0 PLACES ±		INITIAL REVISION:									
DRAFT WHERE APPLICABLE MUST REMAIN WITHIN DIMENSIONS		DRWN: PKH    2022/05/27		APPR: SCHIEN    2022/07/07		SERIES: <b>74750</b>					
THIRD ANGLE PROJECTION		DRAWING: <b>D-SIZE</b>		SERIES: <b>74750</b>		MATERIAL NUMBER: SEE SHEET 4		CUSTOMER:    SHEET NUMBER: 1 OF 9			

# CAGE ASSEMBLY OPTIONS



## HEATSINK HEIGHT OPTIONS

OVERALL HEATSINK HEIGHT	DIM 'A'	TOL
PCI	13.7	
SAN	16.0	+0.25
NET	23.0	-0.73
CUSTOM	21.0	

<sup>1</sup> HEIGHT OF HEATSINK WITH MODULE INSERTED. DIMENSION MAY BE LESS DUE TO MODULE AND HEATSINK VARIATIONS.

THIS DRAWING CONTAINS INFORMATION THAT IS PROPRIETARY TO MOLEX ELECTRONIC TECHNOLOGIES, LLC AND SHOULD NOT BE USED WITHOUT WRITTEN PERMISSION

DIMENSION UNITS	SCALE	CURRENT REV DESC: SEE REV TABLE.	
mm	3:1		
GENERAL TOLERANCES (UNLESS SPECIFIED)			
ANGULAR TOL	± 1.0°		
4 PLACES	±	EC NO: 735397	2022/10/19
3 PLACES	±	DRWN: VISHNM2	2023/01/18
2 PLACES	± 0.13	CHK'D: PRARTP	2023/01/18
1 PLACE	± 0.25	APPR: SCHIEN	2023/01/18
0 PLACES	±	INITIAL REVISION:	
DRAFT WHERE APPLICABLE MUST REMAIN WITHIN DIMENSIONS		DRWN: PKH	2022/05/27
		APPR: SCHIEN	2022/07/07
THIRD ANGLE PROJECTION	DRAWING	SERIES	MATERIAL NUMBER
	D-SIZE	74750	SEE SHEET 4
		CUSTOMER	SHEET NUMBER
			2 OF 9

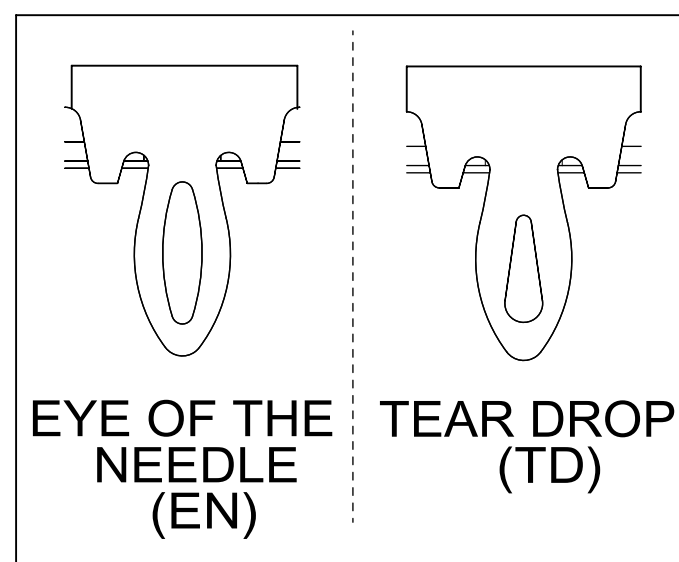
**molex**

QSFP+ 1X1 CAGE ASSEMBLY  
W / ELASTOMERIC GASKET, SUS INNER SPRING FINGER (ROUND & SQUARE)

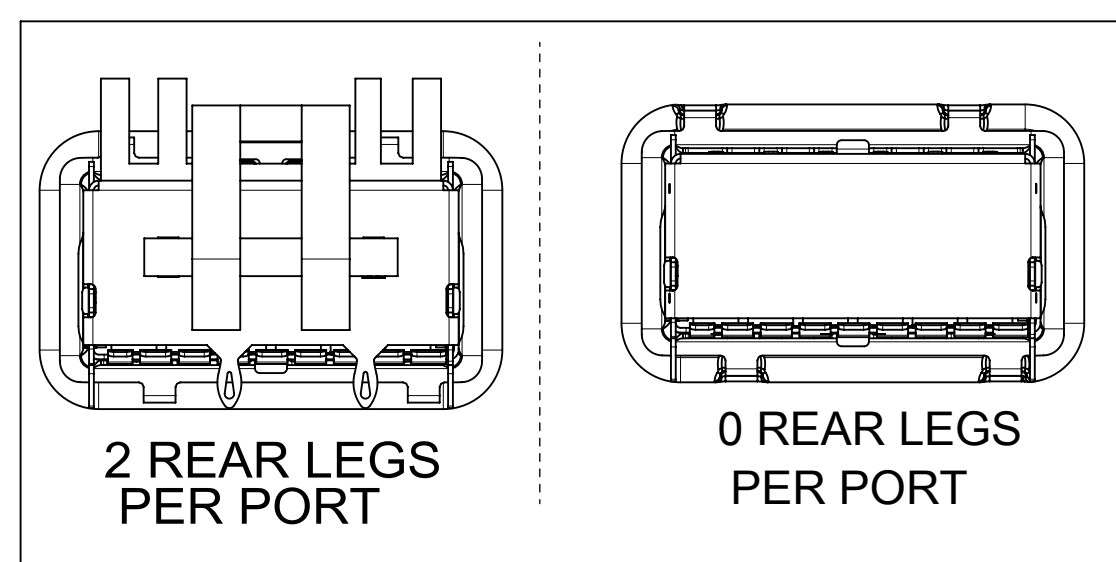
PRODUCT CUSTOMER DRAWING

DOCUMENT NUMBER: 747503022  
DOC TYPE: PSD  
DOC PART: ASY  
REVISION: A1

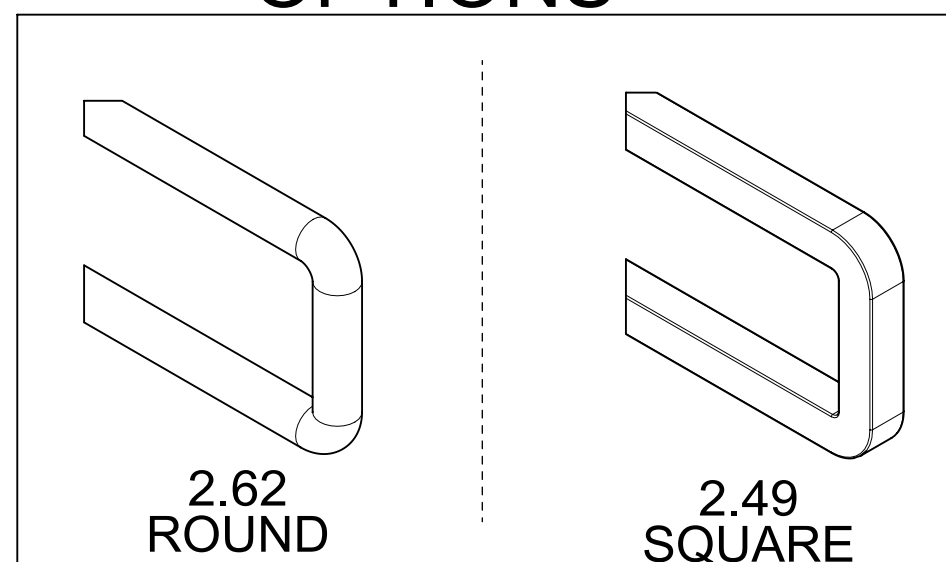
## LEG OPTIONS



## REAR LEG OPTIONS



## ELASTOMERIC GASKET OPTIONS



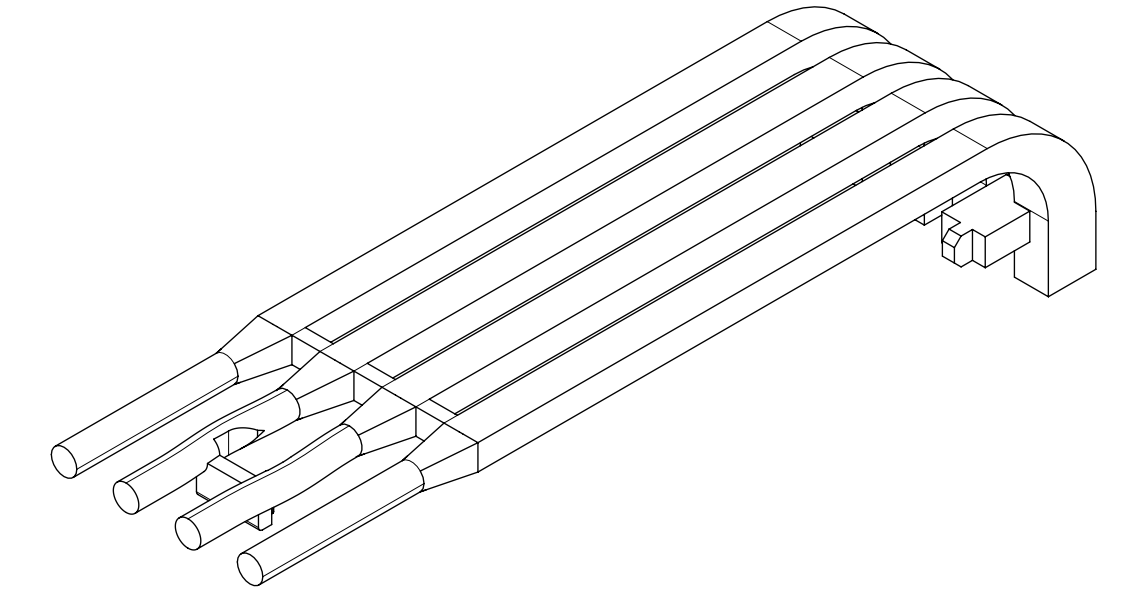
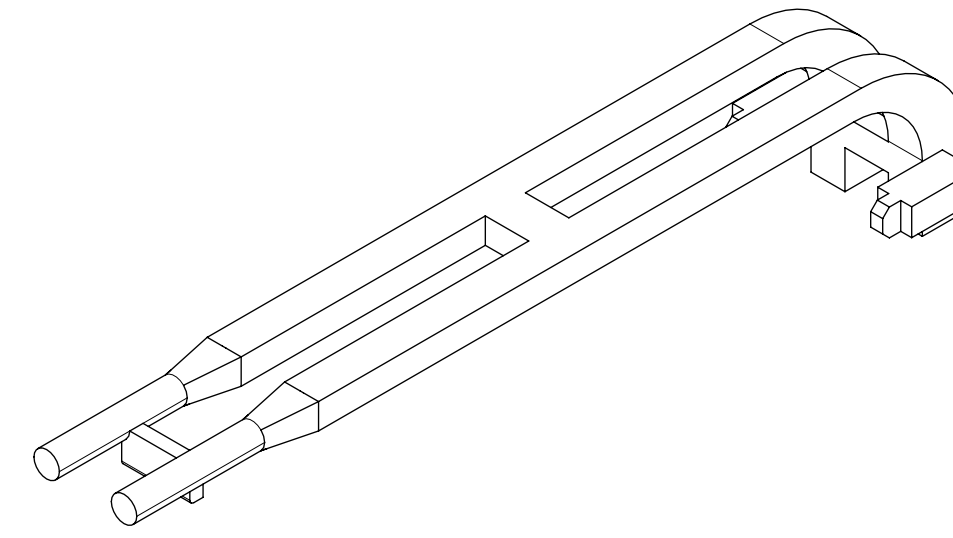
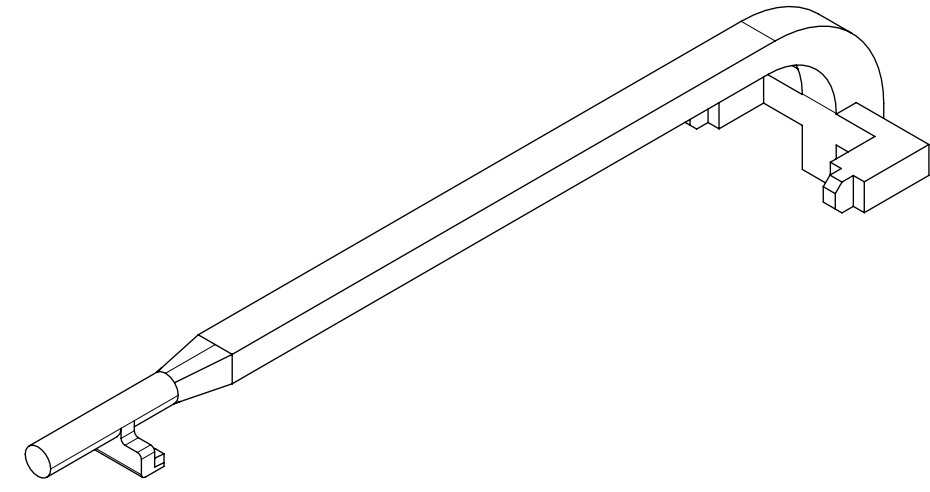
# HEATSINK AND LIGHT PIPE OPTIONS

HEATSINK ONLY

SINGLE LIGHT PIPE

DUAL LIGHT PIPE

QUAD LIGHT PIPE

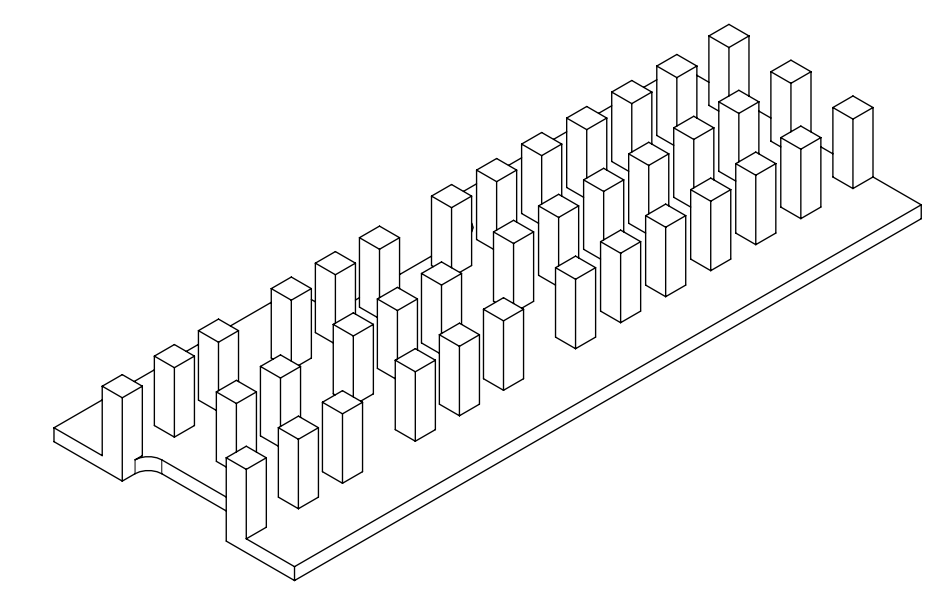
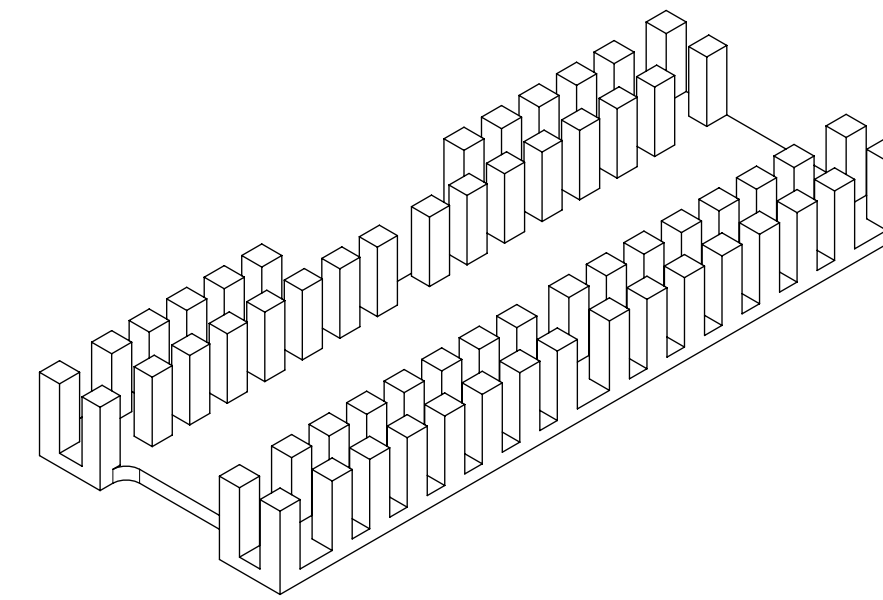
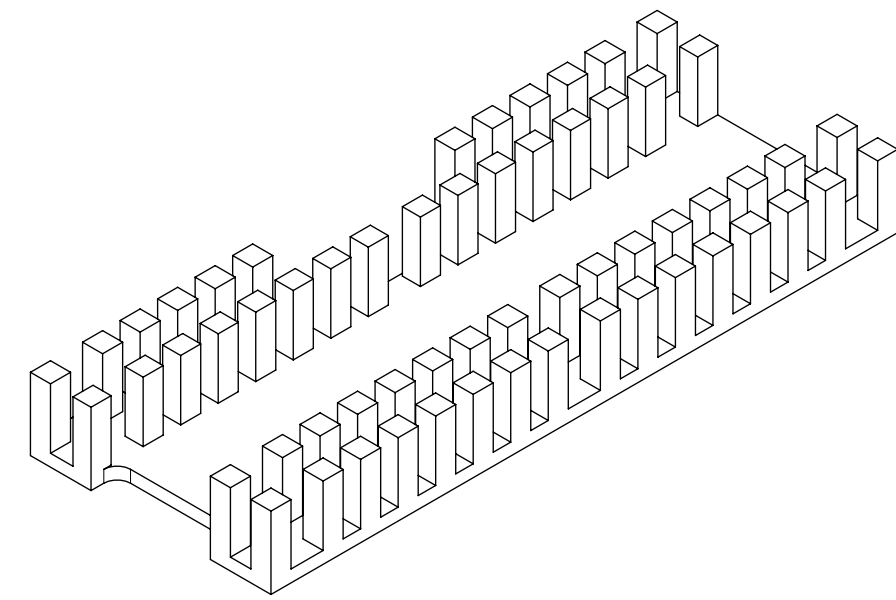
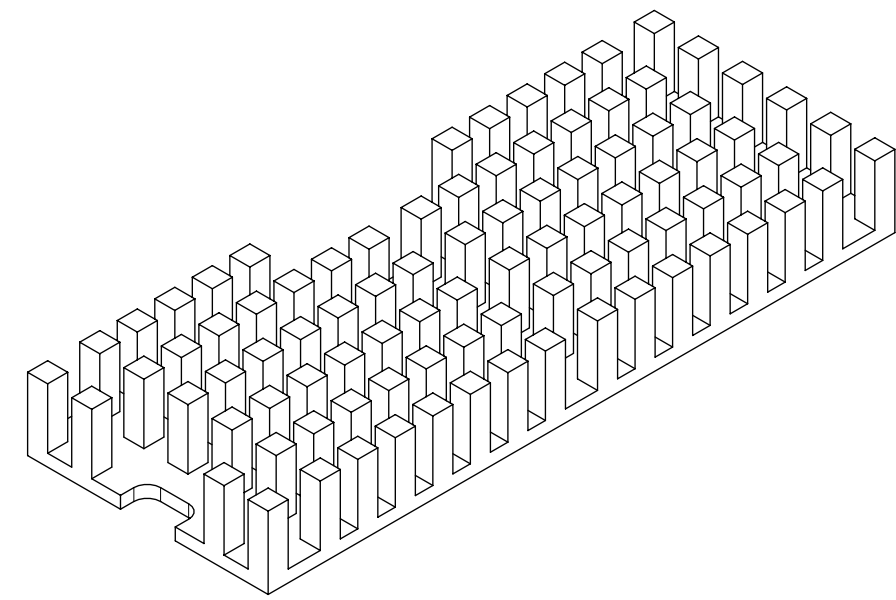


PIN FIELD HEATSINK FOR NO LIGHT PIPE

PIN FIELD HEATSINK FOR SINGLE LIGHT PIPE

PIN FIELD HEATSINK FOR DUAL LIGHT PIPE

PIN FIELD HEATSINK FOR QUAD LIGHT PIPE



NOTES:  
 1. MATERIALS:  
 LIGHT PIPE: LEXAN 940A  
 HEATSINK: ALUMINUM (BLACK ANNOXIDIZED)

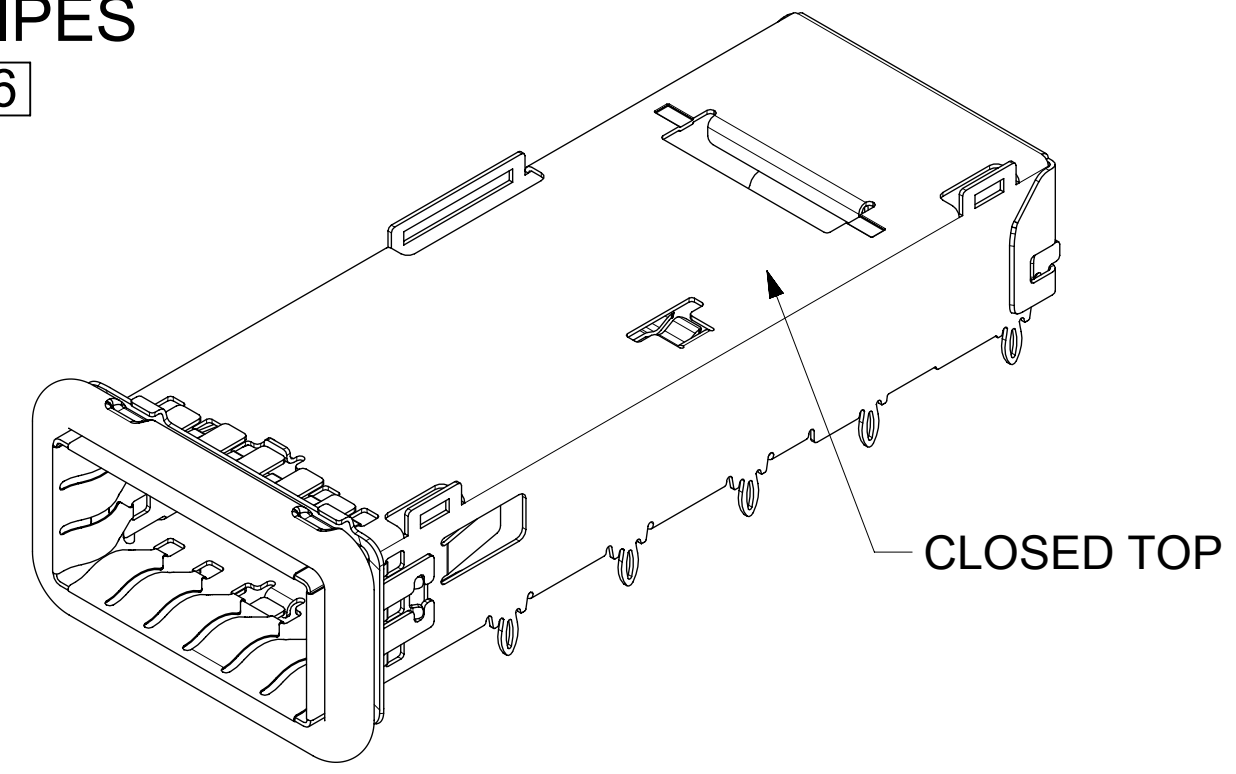
THIS DRAWING CONTAINS INFORMATION THAT IS PROPRIETARY TO MOLEX ELECTRONIC TECHNOLOGIES, LLC AND SHOULD NOT BE USED WITHOUT WRITTEN PERMISSION

DIMENSION UNITS	SCALE	CURRENT REV DESC: SEE REV TABLE.						
mm	2.5:1							
GENERAL TOLERANCES (UNLESS SPECIFIED)		EC NO: 735397		QSFP+ 1X1 CAGE ASSEMBLY W / ELASTOMERIC GASKET, SUS INNER SPRING FINGER (ROUND & SQUARE)				
ANGULAR TOL ± 1.0°		DRWN: VISHNM2		PRODUCT CUSTOMER DRAWING				
4 PLACES ±		CHK'D: PRARTP		DOCUMENT NUMBER				
3 PLACES ±		APPR: SCHIEN		747503022		DOC TYPE	DOC PART	REVISION
2 PLACES ± 0.13		INITIAL REVISION:		PSD ASY A1				
1 PLACE ± 0.25		DRWN: PKH		MATERIAL NUMBER				
0 PLACES ±		APPR: SCHIEN		74750		CUSTOMER		SHEET NUMBER
DRAFT WHERE APPLICABLE MUST REMAIN WITHIN DIMENSIONS		THIRD ANGLE PROJECTION	DRAWING	SERIES	SEE SHEET 4		3 OF 9	

DOCUMENT STATUS	P1	RELEASE DATE	2023/01/18	07:47:29
-----------------	----	--------------	------------	----------

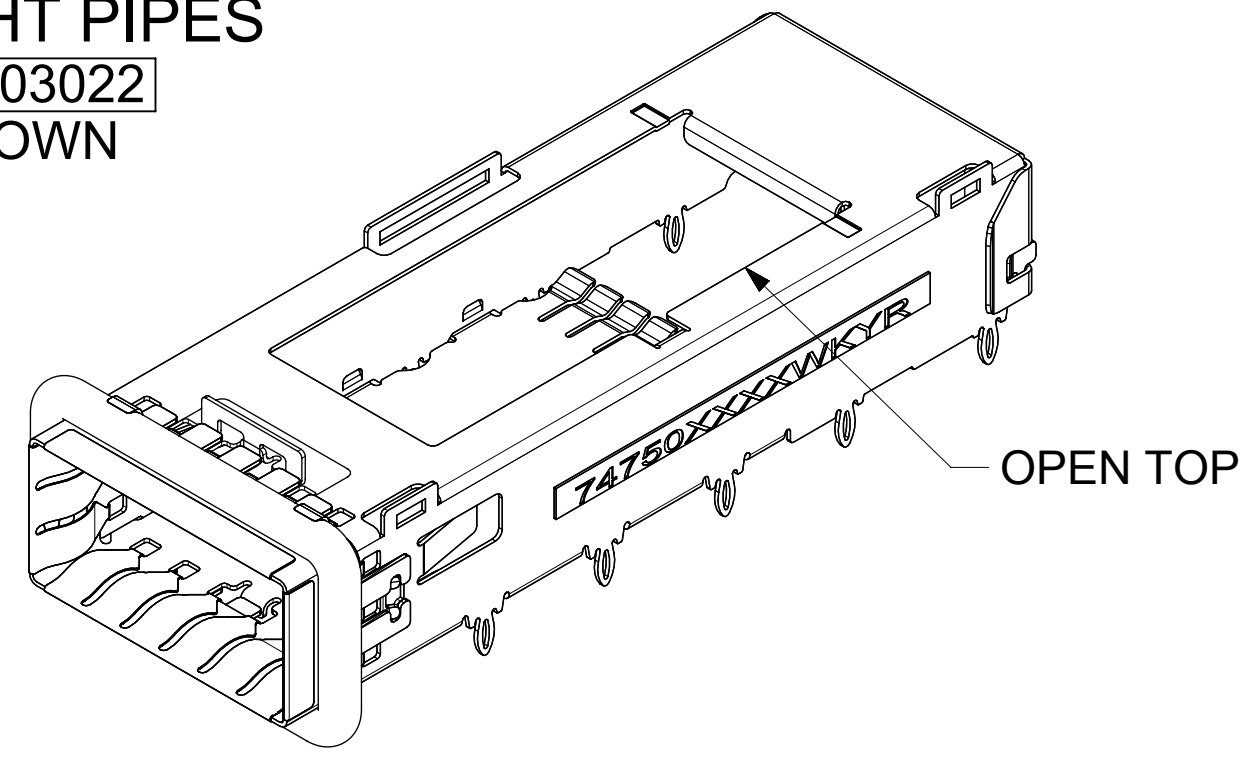
# PART NUMBER SELECTION

NO HEATSINKS  
NO LIGHT PIPES  
747503026  
SHOWN



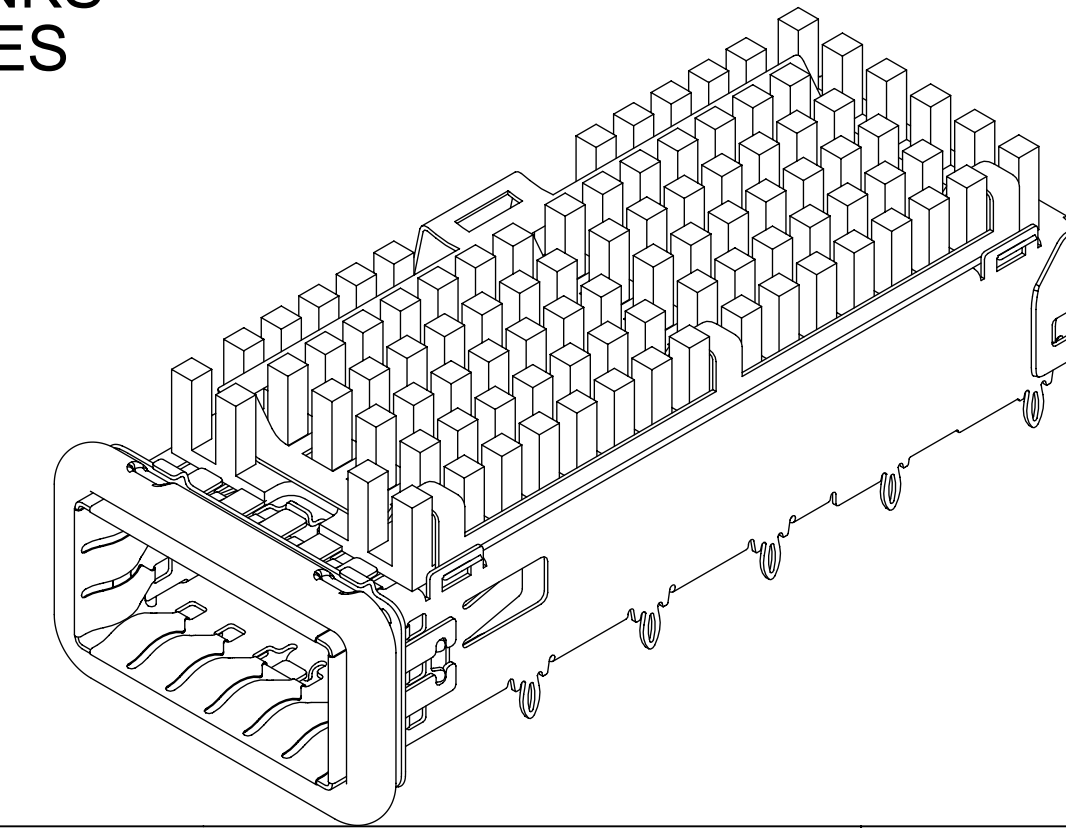
MOLEX P/N		LEG TYPE	# OF REAR LEGS PER PORT
WITH 2.62 REF ROUND ELASTOMERIC GASKET	WITH 2.49 REF SQUARE ELASTOMERIC GASKET		
747503026	---	EN	2

NO HEATSINKS  
NO LIGHT PIPES  
747503022  
SHOWN



MOLEX P/N		LEG TYPE	# OF REAR LEGS PER PORT
WITH 2.62 REF ROUND ELASTOMERIC GASKET	WITH 2.49 REF SQUARE ELASTOMERIC GASKET		
747503022	---	EN	2
747503025	---	EN	-
747503094	---	EN	2
747503200	---	TD	2

WITH HEATSINKS  
NO LIGHT PIPES  
747503041  
SHOWN

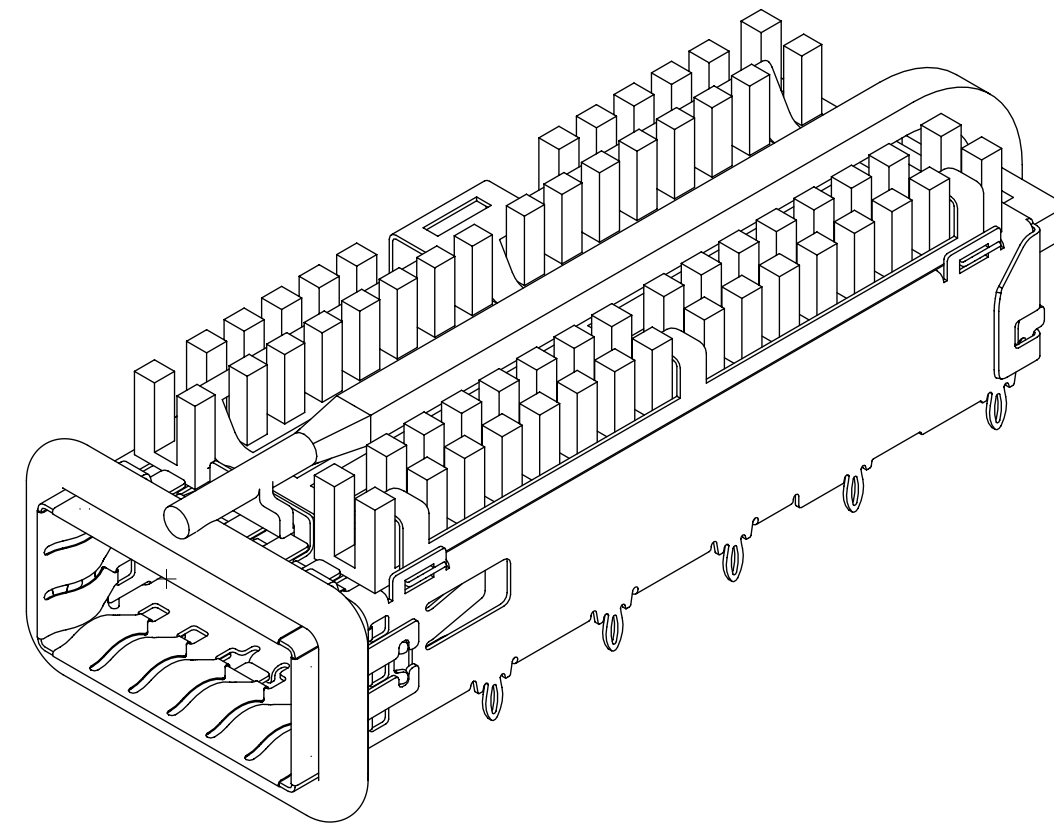


MOLEX P/N		HEAT-SINKS	LEG TYPE	# OF REAR LEGS PER PORT
WITH 2.62 REF ROUND ELASTOMERIC GASKET	WITH 2.49 REF SQUARE ELASTOMERIC GASKET			
747503041	---	SAN	EN	2
747503047	---	NET	EN	2
747503048	---	CUSTOM	EN	2
747503242	---	PCI	TD	2

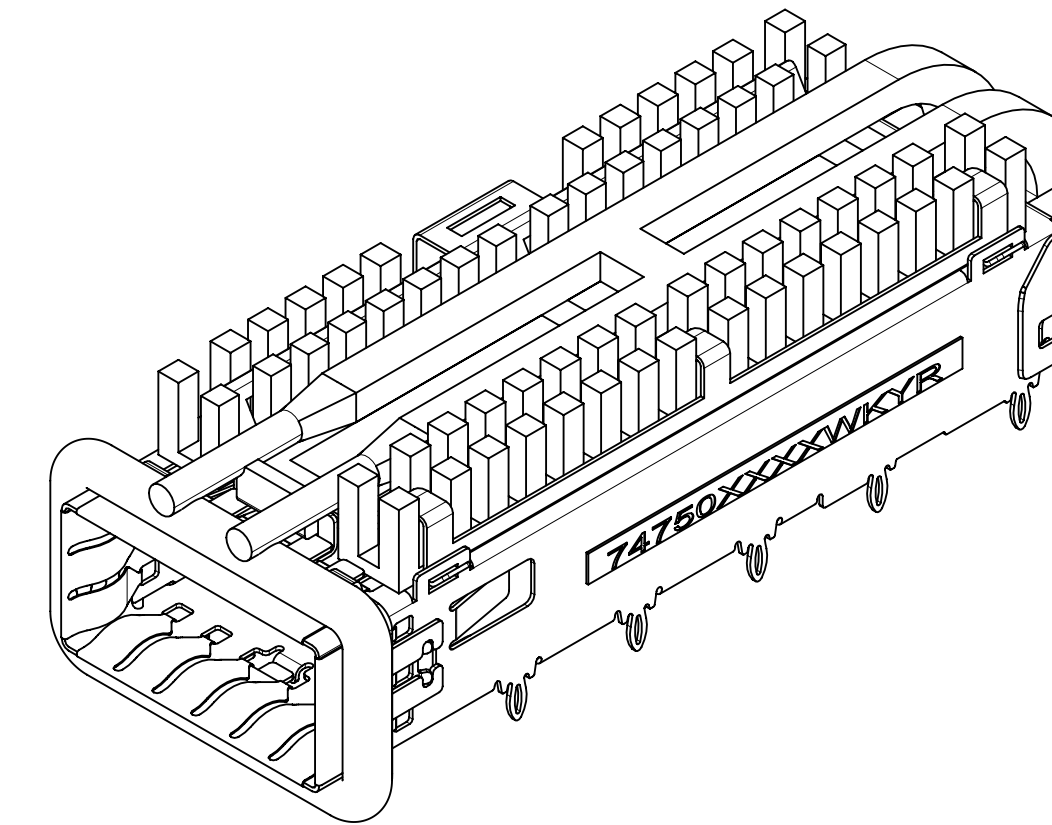
## WITH OR WITHOUT HEATSINKS AND LIGHT PIPES

MOLEX P/N		LIGHT PIPES	HEAT-SINKS	LEG TYPE	# OF REAR LEGS PER PORT	LIGHT PIPE LENGTH
WITH 2.62 REF ROUND ELASTOMERIC GASKET	WITH 2.49 REF SQUARE ELASTOMERIC GASKET					
747503070	---	SINGLE	SAN	EN	2	55.0
747503072	---	DUAL	SAN	EN	2	
747503073	---	DUAL	NET	EN	2	
747503571	---	QUAD	SAN	EN	2	55.0
747503577	---	DUAL	SAN	TD	2	
747503578	---	DUAL	NET	TD	2	

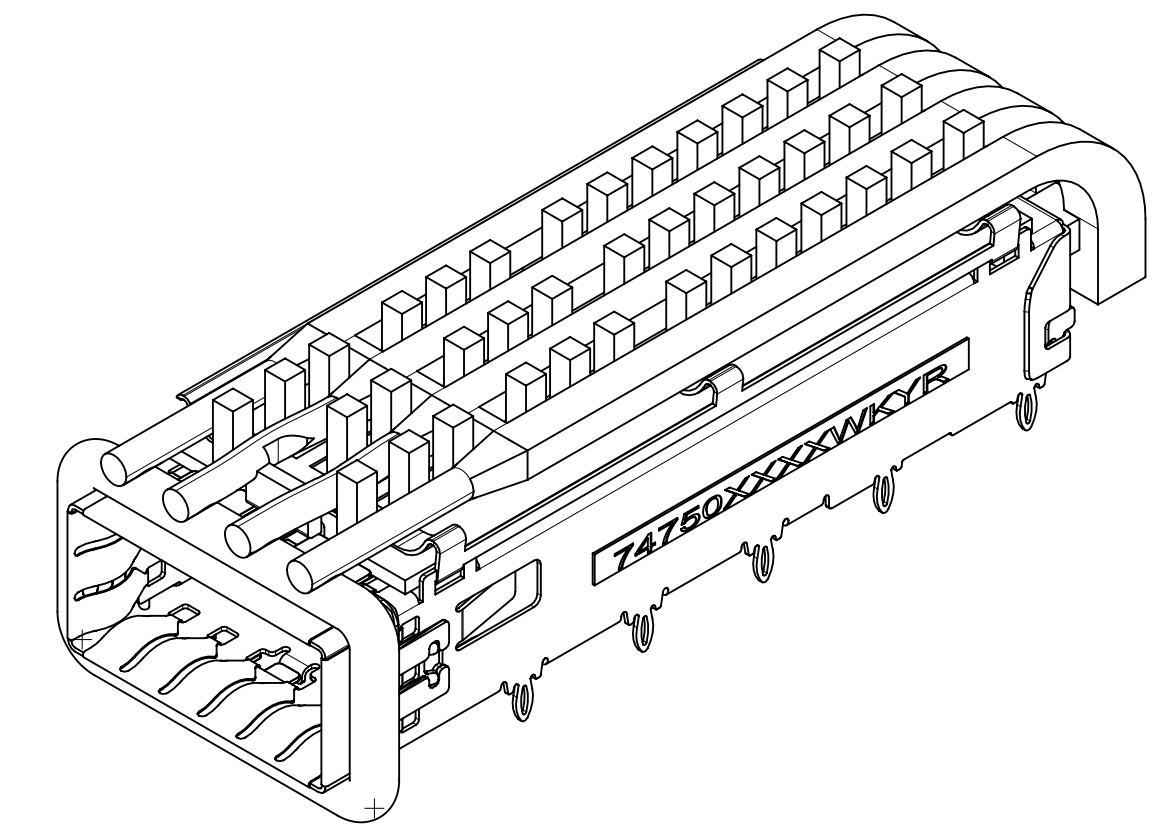
SINGLE LIGHT PIPE  
747503070  
SHOWN



DUAL LIGHT PIPES  
747503072  
SHOWN



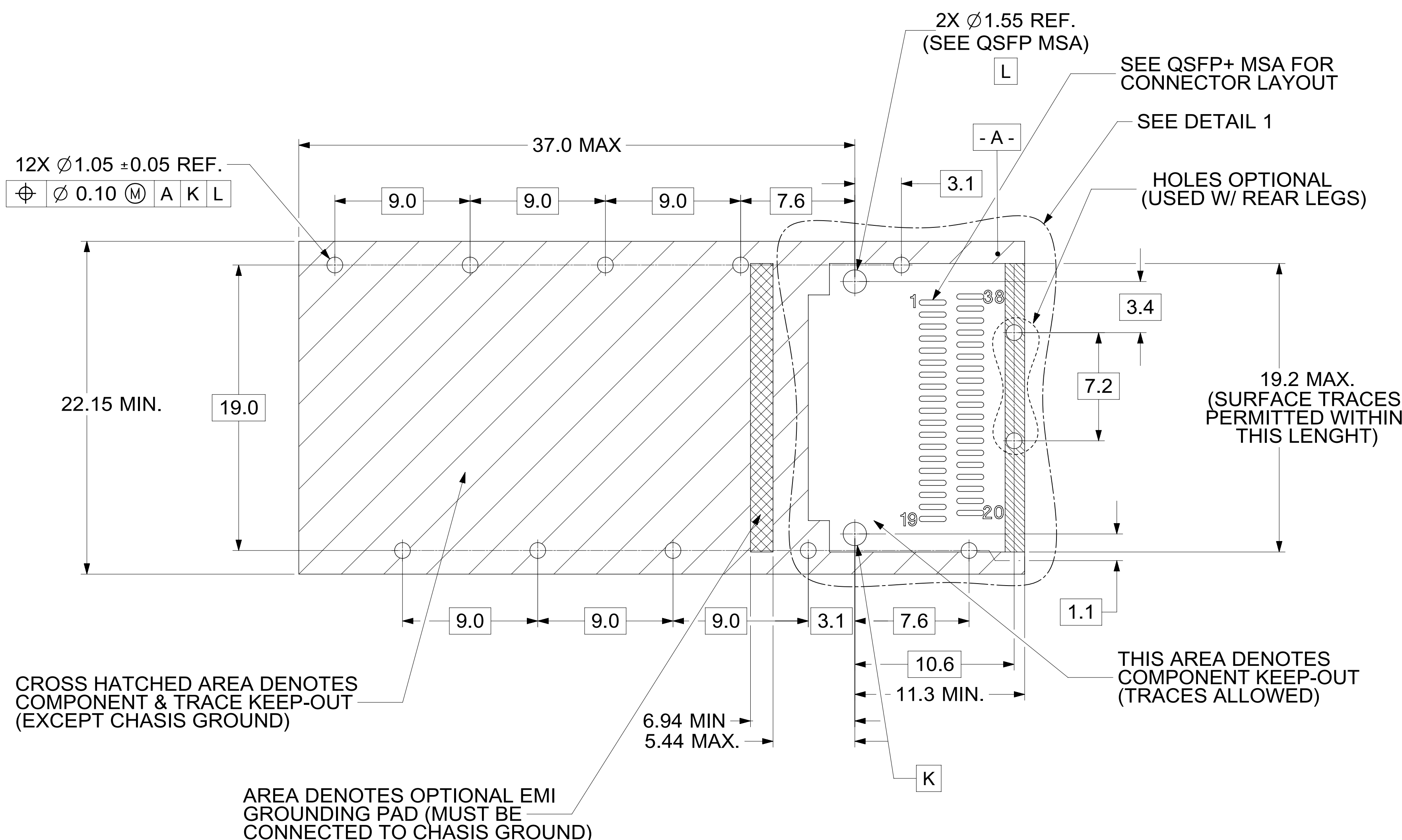
QUAD LIGHT PIPES  
747503571  
SHOWN



THIS DRAWING CONTAINS INFORMATION THAT IS PROPRIETARY TO MOLEX ELECTRONIC TECHNOLOGIES, LLC AND SHOULD NOT BE USED WITHOUT WRITTEN PERMISSION									
DIMENSION UNITS	SCALE	CURRENT REV DESC: SEE REV TABLE.							
mm	2.5:1	<p><b>molex</b></p> <p>QSFP+ 1X1 CAGE ASSEMBLY W / ELASTOMERIC GASKET, SUS INNER SPRING FINGER (ROUND &amp; SQUARE)</p> <p>PRODUCT CUSTOMER DRAWING</p>							
GENERAL TOLERANCES (UNLESS SPECIFIED)									
ANGULAR TOL	± 1.0°	EC NO: 735397	2022/10/19		DOCUMENT NUMBER		DOC TYPE	DOC PART	REVISION
4 PLACES	±	DRWN: VISHNM2	2023/01/18		747503022		PSD	ASY	A1
3 PLACES	±	CHK'D: PRARTP	2023/01/18		MATERIAL NUMBER		CUSTOMER		
2 PLACES	± 0.13	APPR: SCHIEN	2023/01/18		SERIES		SHEET NUMBER		
1 PLACE	± 0.25	INITIAL REVISION:	2022/05/27		74750		4 OF 9		
0 PLACES	±	DRWN: PKH	2022/07/07		SEE P/N TABLE				
DRAFT WHERE APPLICABLE MUST REMAIN WITHIN DIMENSIONS		THIRD ANGLE PROJECTION	DRAWING	SERIES					
			D-SIZE	74750					

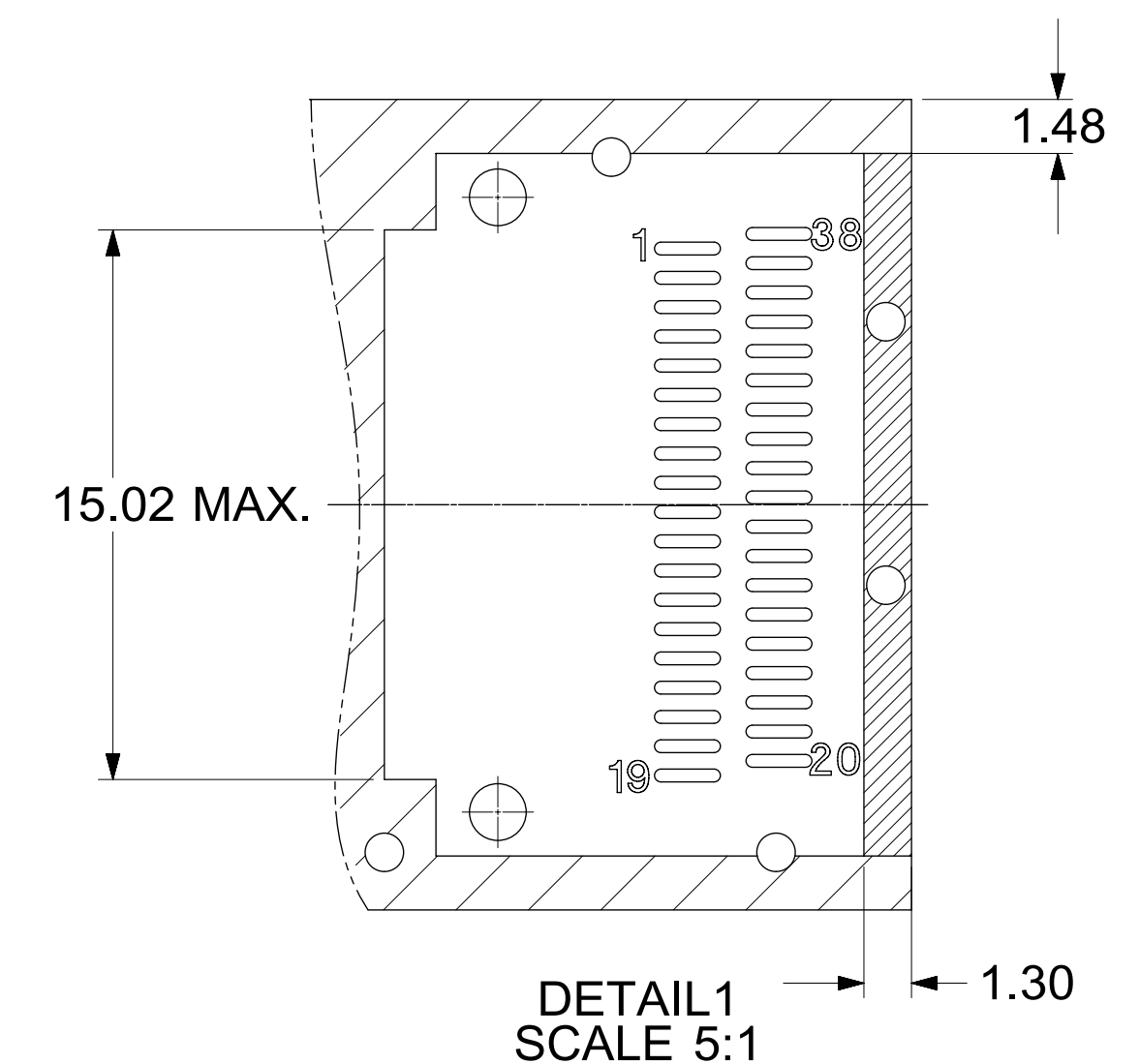
NOTE:  
1. LEG TYPE:  
EN - EYE OF THE NEEDLE  
TD - TEAR DROP

# PCB LAYOUT FOR SINGLE SIDED APPLICATIONS

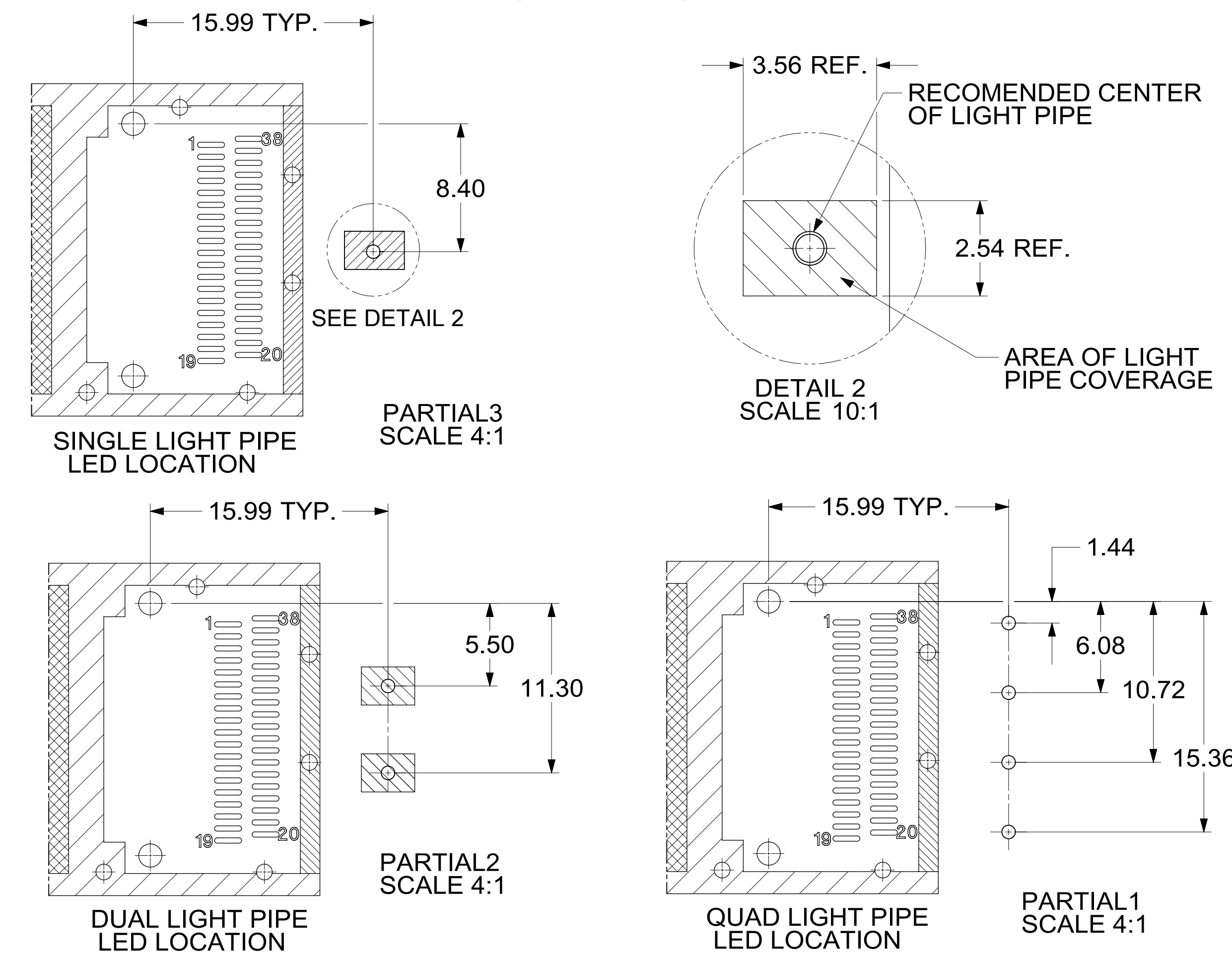


- NOTES:
- DATUM -A- IS TOP SURFACE OF HOST BOARD PER MSA
  - FINISHED HOLE SIZE (AFTER PLATING)
  - DATUM -K- IS HOST BOARD THRU HOLE #1 TO ACCEPT CONNECTOR GUIDE POST PER MSA
  - DATUM -L- IS HOST BOARD THRU HOLE #2 TO ACCEPT CONNECTOR GUIDE POST PER MSA
  - SINGLE SIDED BOARD THICKNESS:  
NOMINAL: 1.60 mm  
MINIMUM: 1.44 mm

# HOST CONNECTOR DETAIL

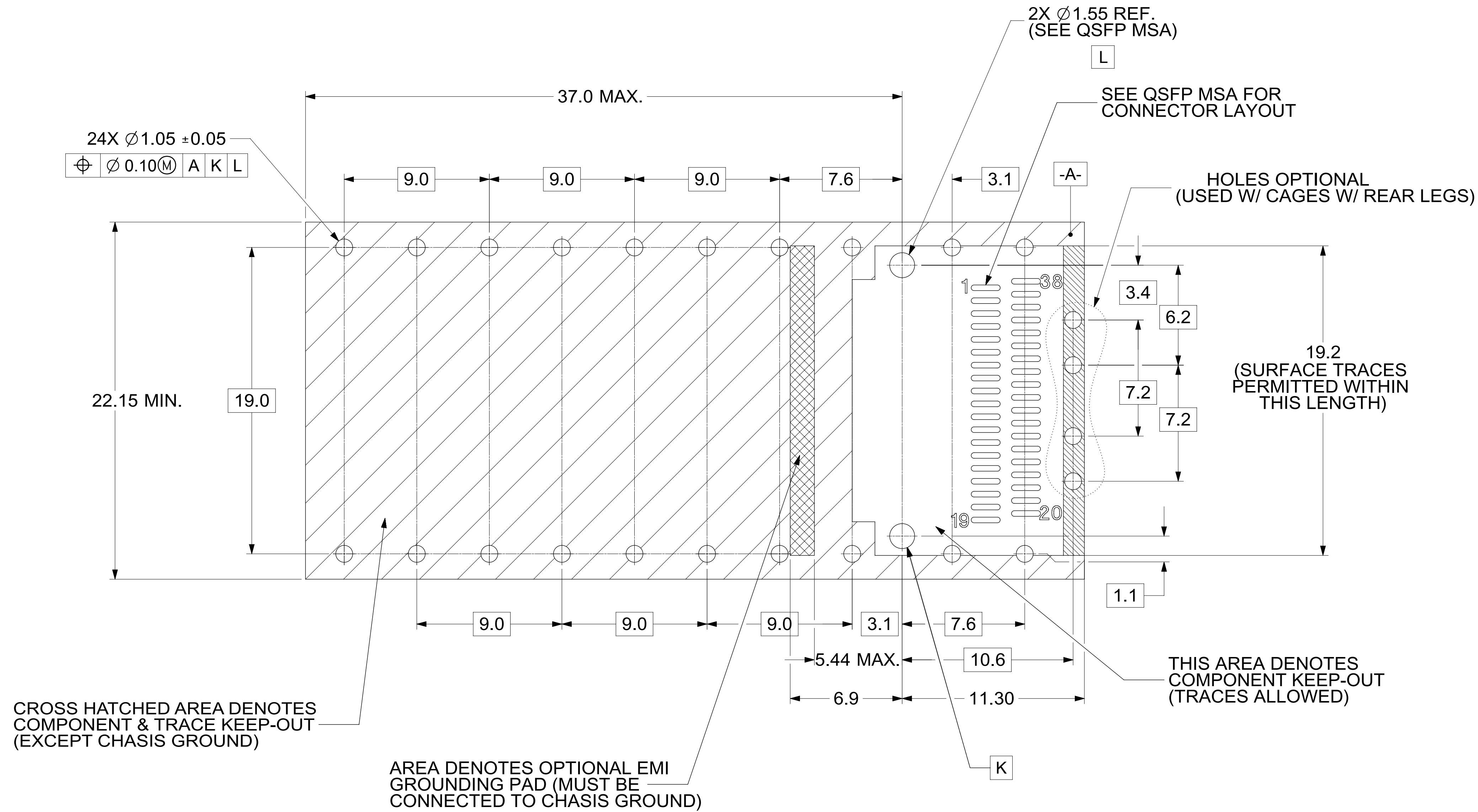


# FOR CAGE ASSEMBLIES WITH LIGHT PIPES



THIS DRAWING CONTAINS INFORMATION THAT IS PROPRIETARY TO MOLEX ELECTRONIC TECHNOLOGIES, LLC AND SHOULD NOT BE USED WITHOUT WRITTEN PERMISSION			
DIMENSION UNITS	SCALE	CURRENT REV DESC: SEE REV TABLE.	
mm	4:1		
GENERAL TOLERANCES (UNLESS SPECIFIED)			
ANGULAR TOL	± 1.0°		
4 PLACES	±	EC NO: 735397	2022/10/19
3 PLACES	±	DRWN: VISHNM2	2023/01/18
2 PLACES	± 0.13	CHK'D: PRARTP	2023/01/18
1 PLACE	± 0.25	APPR: SCHIEN	2023/01/18
0 PLACES	±	INITIAL REVISION:	
DRAFT WHERE APPLICABLE MUST REMAIN WITHIN DIMENSIONS		DRWN: PKH	2022/05/27
		APPR: SCHIEN	2022/07/07
THIRD ANGLE PROJECTION		DRAWING	SERIES
D-SIZE		74750	
MATERIAL NUMBER		CUSTOMER	SHEET NUMBER
747503022		SEE SHEET 4	5 OF 9
DOCUMENT NUMBER		DOC TYPE	DOC PART
747503022		PSD	ASY
PRODUCT CUSTOMER DRAWING		REVISION	
		A1	

# PCB LAYOUT FOR BELLY-TO-BELLY APPLICATIONS

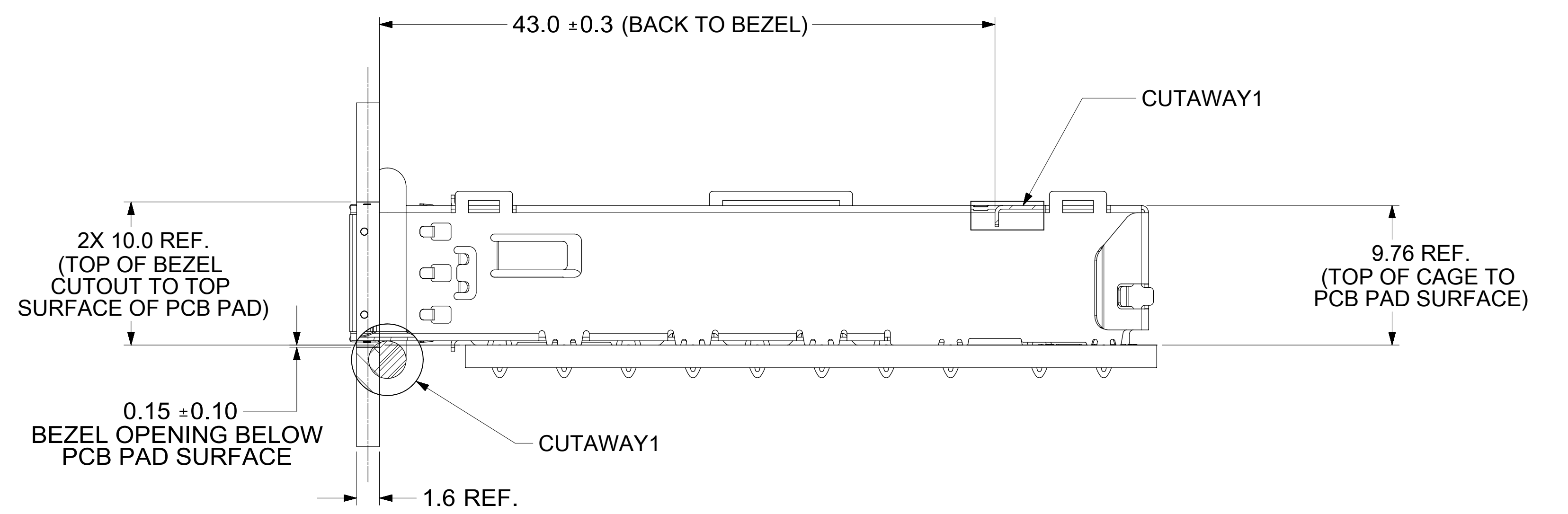
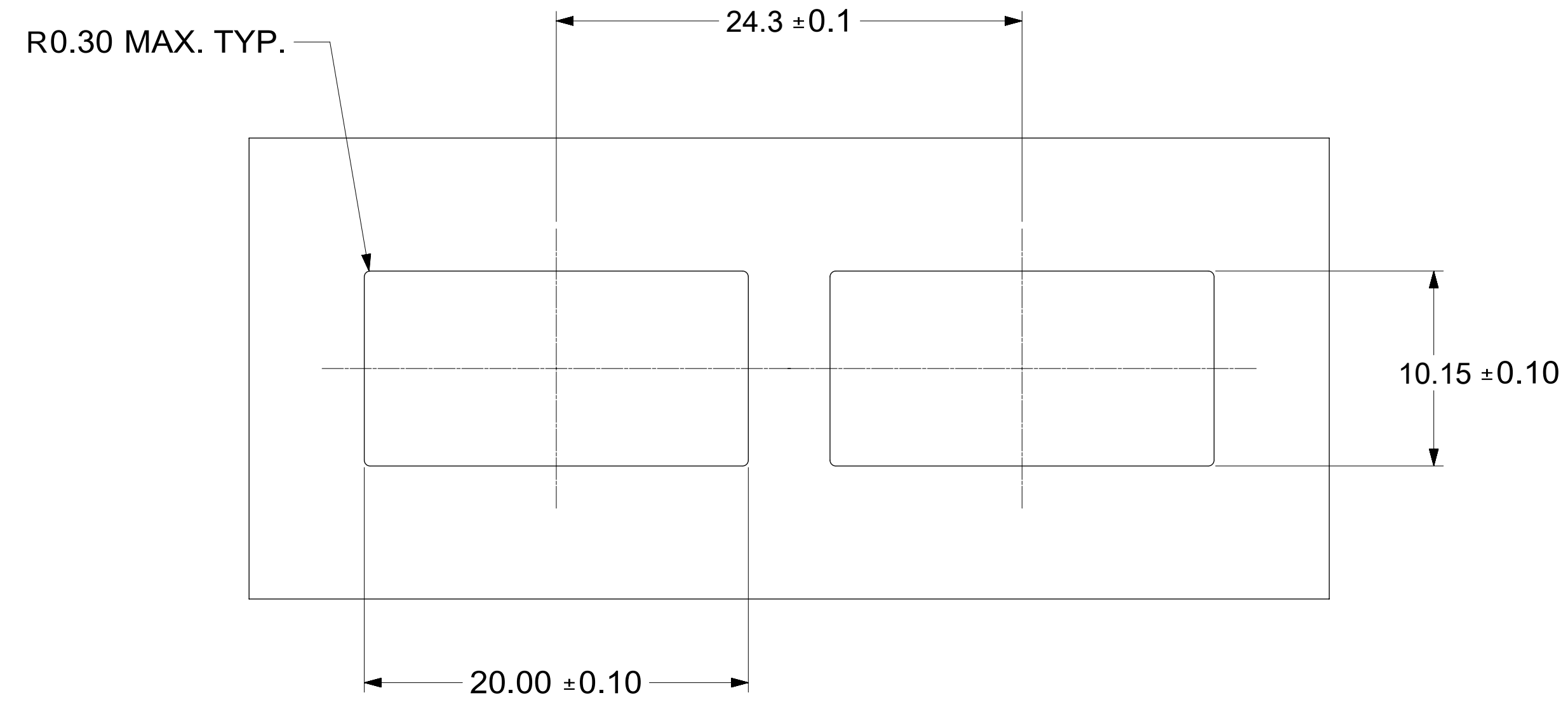


NOTE:  
FOR RECOMENDED CENTER  
OF LIGHT PIPES,  
SEE SHEET 5

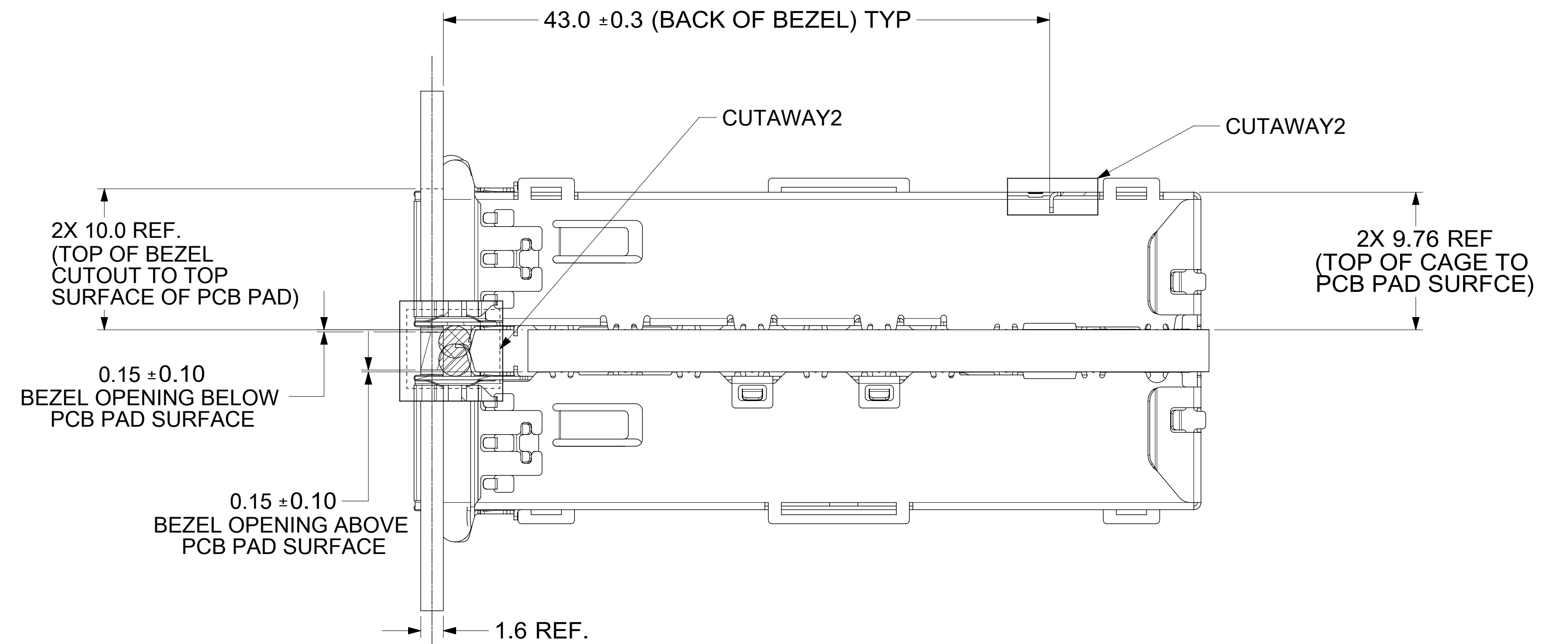
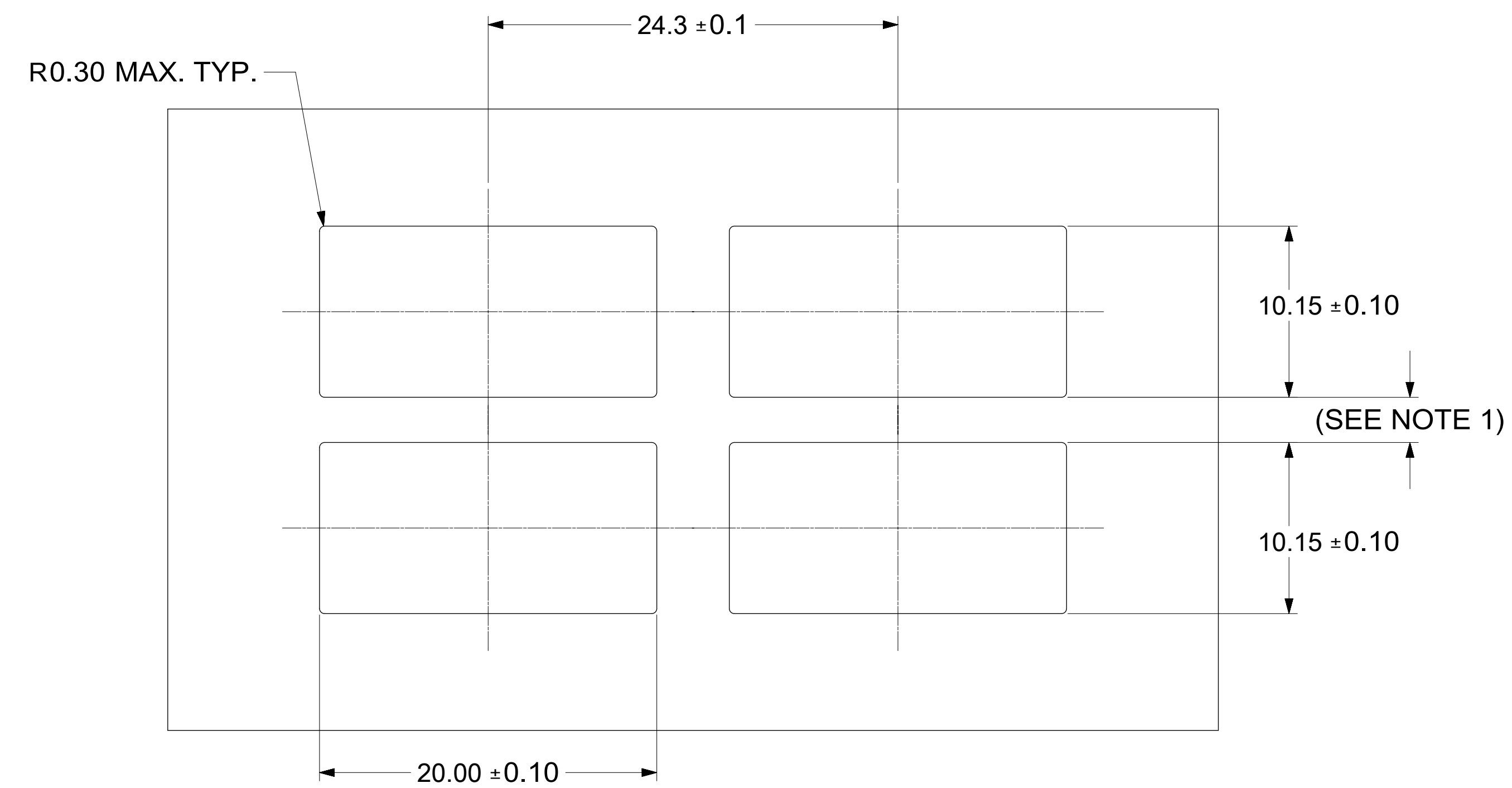
- NOTES:
- DATUM -A- IS TOP SURFACE OF HOST BOARD PER MSA
  - FINISHED HOLE SIZE (AFTER PLATING)
  - DATUM -K- IS HOST BOARD THRU HOLE #1 TO ACCEPT CONNECTOR GUIDE POST PER MSA
  - DATUM -L- IS HOST BOARD THRU HOLE #2 TO ACCEPT CONNECTOR GUIDE POST PER MSA
  - BELLY TO BELLY BOARD THICKNESS:  
NOMINAL: 2.90 mm  
MINIMUM: 2.48 mm

THIS DRAWING CONTAINS INFORMATION THAT IS PROPRIETARY TO MOLEX ELECTRONIC TECHNOLOGIES, LLC AND SHOULD NOT BE USED WITHOUT WRITTEN PERMISSION									
DIMENSION UNITS	SCALE	CURRENT REV DESC: SEE REV TABLE.							
mm	6:1								
GENERAL TOLERANCES (UNLESS SPECIFIED)									
ANGULAR TOL	± 1.0°	EC NO: 735397 DRWN: VISHNM2 2022/10/19 CHK'D: PRARTP 2023/01/18 APPR: SCHIEN 2023/01/18							
4 PLACES	±	INITIAL REVISION: DRWN: PKH 2022/05/27 APPR: SCHIEN 2022/07/07							
3 PLACES	±	DOCUMENT NUMBER: 747503022 DOC TYPE: PSD DOC PART: ASY REVISION: A1							
2 PLACES	± 0.13	MATERIAL NUMBER: SEE SHEET 4 CUSTOMER:							
1 PLACE	± 0.25	DRAFT WHERE APPLICABLE MUST REMAIN WITHIN DIMENSIONS THIRD ANGLE PROJECTION DRAWING: D-SIZE SERIES: 74750 SHEET NUMBER: 6 OF 9							
0 PLACES	±								

# BEZEL AND BOARD POSITION DIMENSIONS FOR SINGLE SIDE MOUNTING



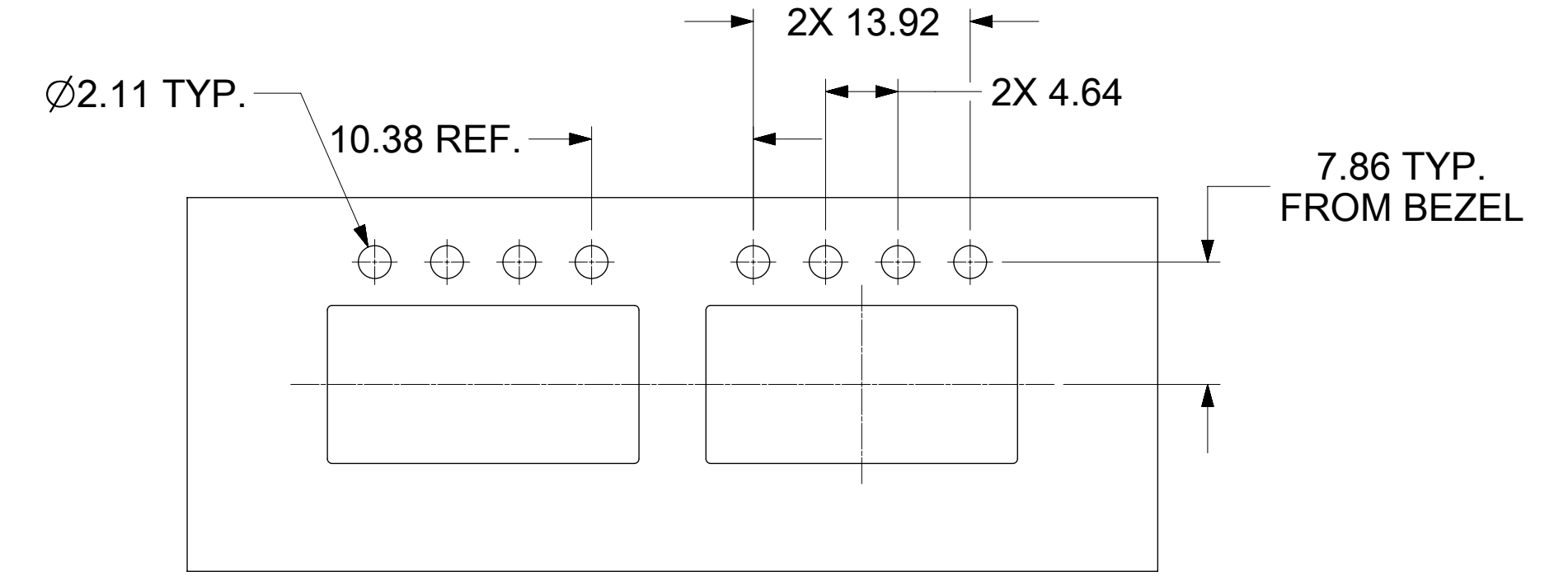
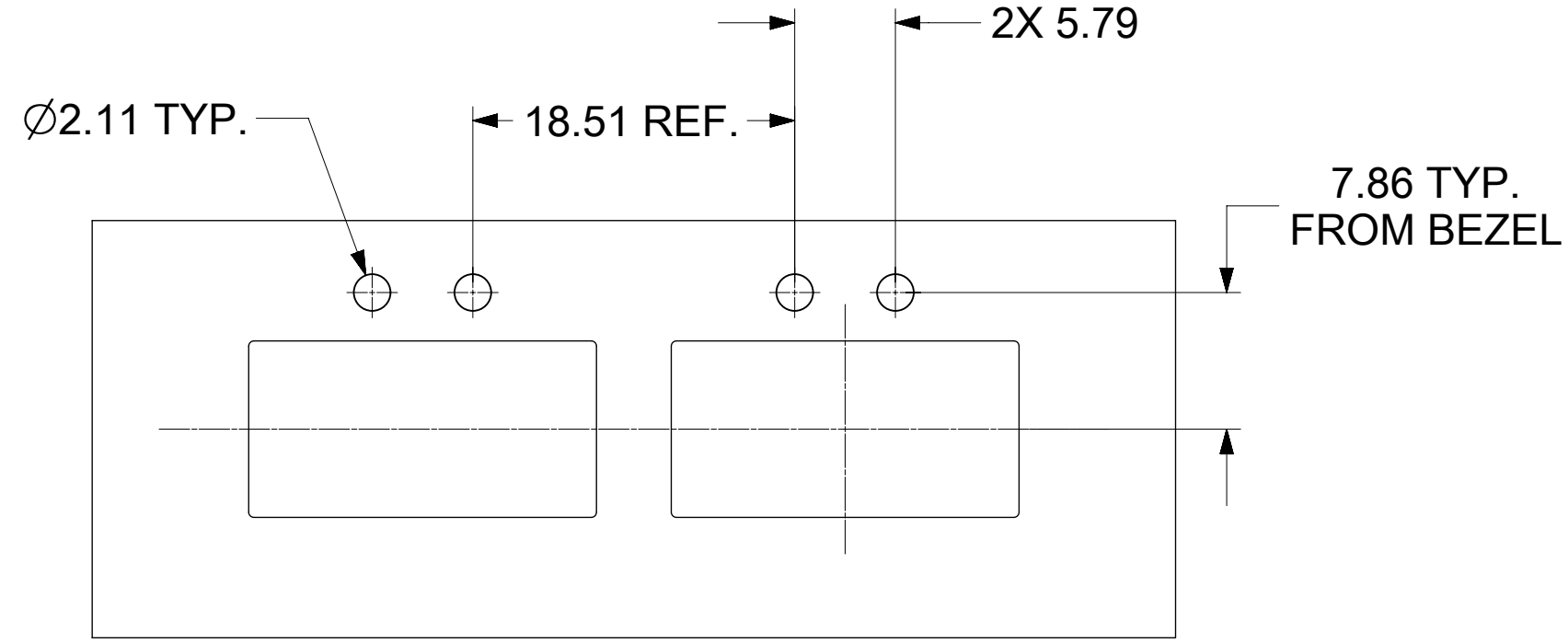
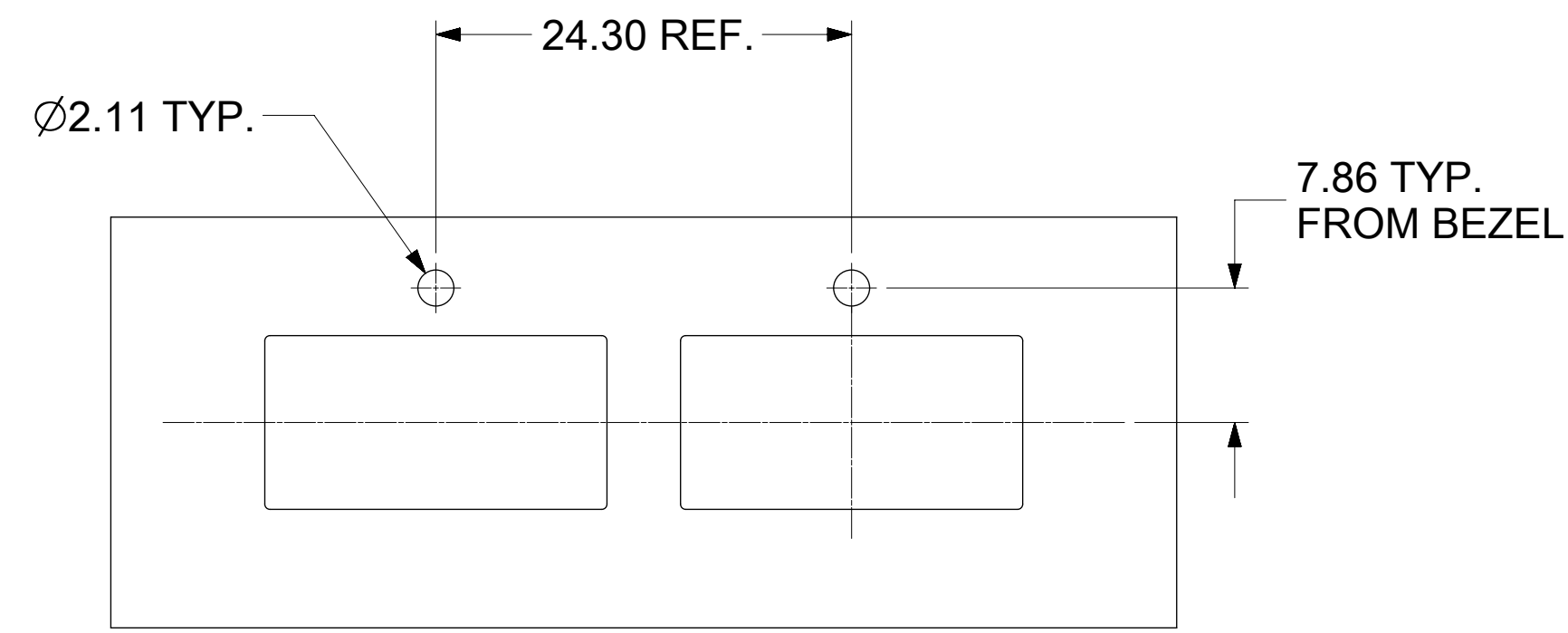
# BEZEL AND BOARD POSITION DIMENSIONS FOR BELLY TO BELLY MOUNTING



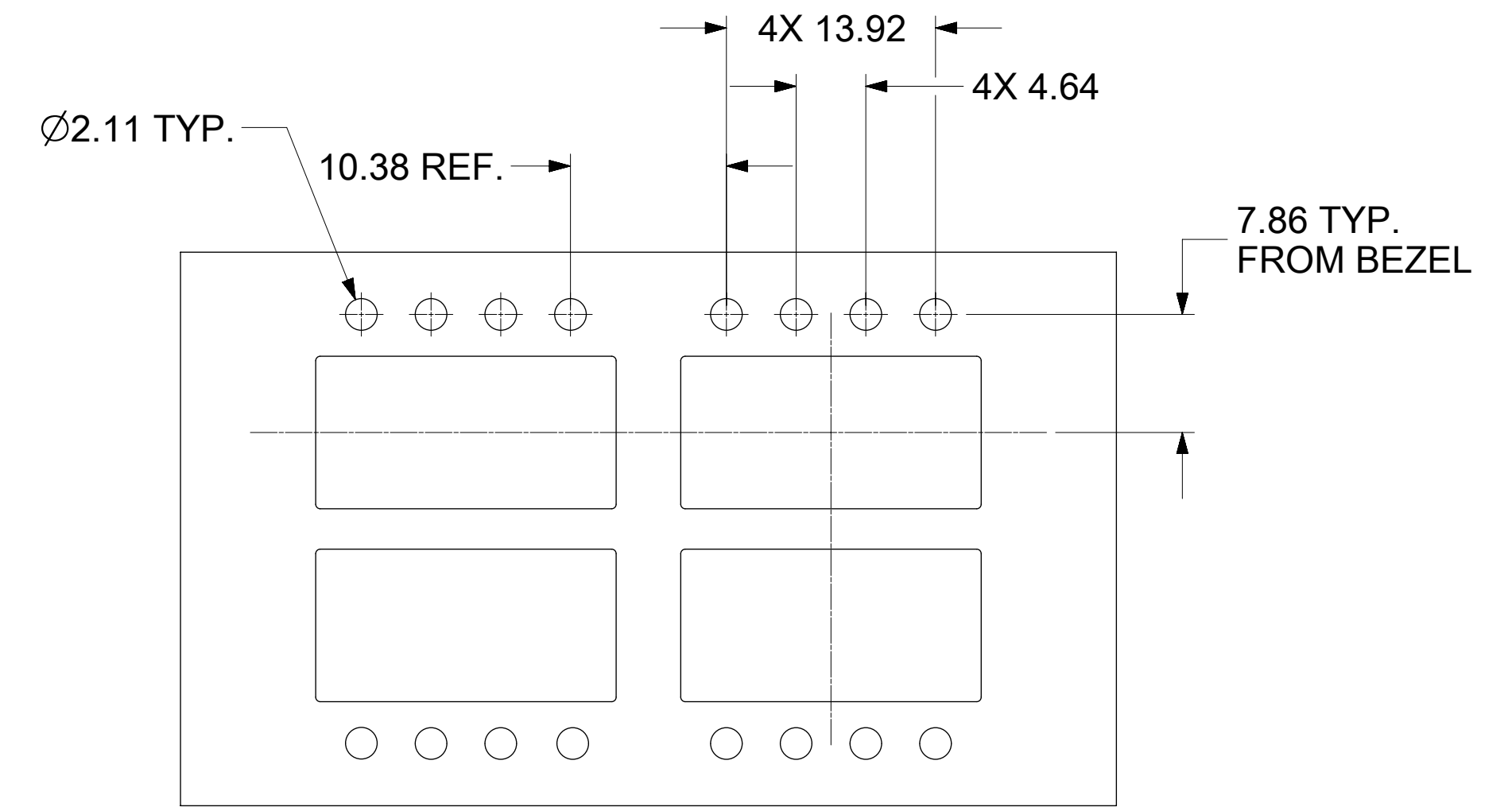
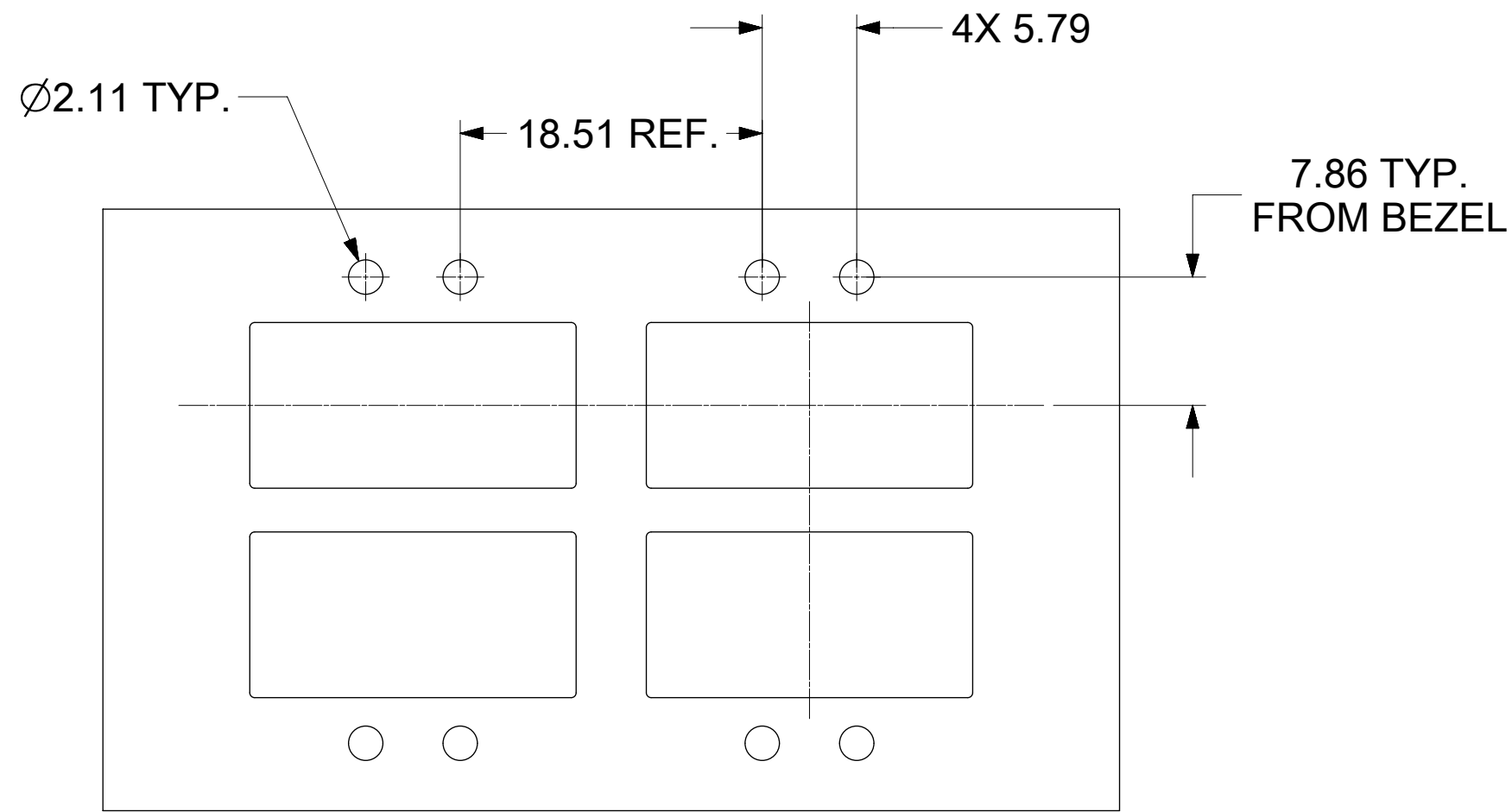
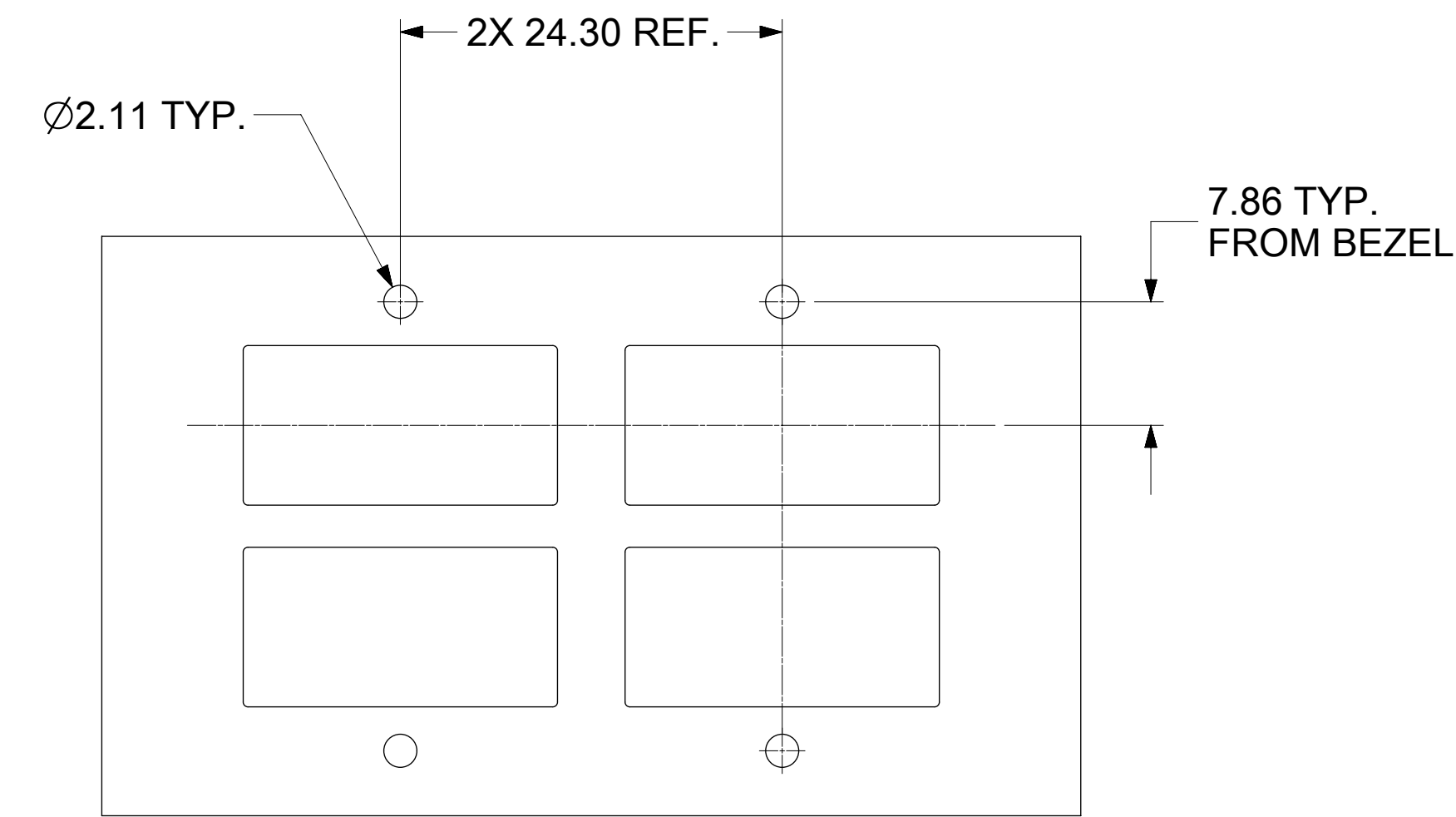
NOTE:  
1. PCB THICKNESS VARIATION MUST BE CONSIDERED WHEN DETERMINING BEZEL OPENING, SIZE, AND LOCATION.

THIS DRAWING CONTAINS INFORMATION THAT IS PROPRIETARY TO MOLEX ELECTRONIC TECHNOLOGIES, LLC AND SHOULD NOT BE USED WITHOUT WRITTEN PERMISSION									
DIMENSION UNITS	SCALE	CURRENT REV DESC: SEE REV TABLE.							
mm	4:1	<p><b>molex</b></p> <p>QSFP+ 1X1 CAGE ASSEMBLY W / ELASTOMERIC GASKET, SUS INNER SPRING FINGER (ROUND &amp; SQUARE)</p> <p>PRODUCT CUSTOMER DRAWING</p>							
GENERAL TOLERANCES (UNLESS SPECIFIED)									
ANGULAR TOL	± 1.0°								
4 PLACES	±								
3 PLACES	±								
2 PLACES	± 0.13	EC NO: 735397	2022/10/19	DOCUMENT NUMBER	DOC TYPE	DOC PART	REVISION		
1 PLACE	± 0.25	DRWN: VISHNM2	2023/01/18	747503022	PSD	ASY	A1		
0 PLACES	±	CHK'D: PRARTP	2023/01/18	MATERIAL NUMBER	CUSTOMER	SHEET NUMBER			
DRAFT WHERE APPLICABLE MUST REMAIN WITHIN DIMENSIONS		APPR: SCHIEN	2023/01/18	SEE SHEET 4			7 OF 9		
		INITIAL REVISION:	2022/05/27						
		DRWN: PKH	2022/07/07						
		APPR: SCHIEN							
		THIRD ANGLE PROJECTION	DRAWING	SERIES					
			D-SIZE	74750					

### BEZEL LIGHT PIPE CUTOUT POSITION DIMENSIONS FOR SINGLE SIDE MOUNTING



### BEZEL LIGHT PIPE CUTOUT POSITION DIMENSIONS FOR BELLY-TO-BELLY MOUNTING

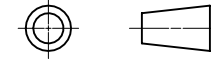


**NOTE:**  
1. PCB THICKNESS VARIATION MUST BE CONSIDERED WHEN DETERMINING BEZEL OPENING, SIZE, AND LOCATION.

THIS DRAWING CONTAINS INFORMATION THAT IS PROPRIETARY TO MOLEX ELECTRONIC TECHNOLOGIES, LLC AND SHOULD NOT BE USED WITHOUT WRITTEN PERMISSION												
DIMENSION UNITS <b>mm</b>		SCALE <b>2.5:1</b>		CURRENT REV DESC: SEE REV TABLE.				<b>molex</b>		QSFP+ 1X1 CAGE ASSEMBLY W / ELASTOMERIC GASKET, SUS INNER SPRING FINGER (ROUND & SQUARE)		
GENERAL TOLERANCES (UNLESS SPECIFIED)				EC NO: 735397								
ANGULAR TOL ± 1.0°				DRWN: VISHNM2 2022/10/19				PRODUCT CUSTOMER DRAWING				
4 PLACES ±				CHK'D: PRARTP 2023/01/18								
3 PLACES ±				APPR: SCHIEN 2023/01/18				DOCUMENT NUMBER <b>747503022</b>				
2 PLACES ± 0.13				INITIAL REVISION:								DOC TYPE <b>PSD</b>
1 PLACE ± 0.25				DRWN: PKH 2022/05/27				REVISION <b>A1</b>		SHEET NUMBER <b>8 OF 9</b>		
0 PLACES ±				APPR: SCHIEN 2022/07/07								
DRAFT WHERE APPLICABLE MUST REMAIN WITHIN DIMENSIONS			THIRD ANGLE PROJECTION		DRAWING <b>D-SIZE</b>		SERIES <b>74750</b>		MATERIAL NUMBER SEE SHEET 4		CUSTOMER	



REV	DATE	DESCRIPTION
A	2022/06/25	INITIAL RELEASE
A1	2022/10/29	SHEET 01 : H12,G17,H17 : VIEWS UPDATED TO ACHIEVE PROPER GASKET VIEW.

THIS DRAWING CONTAINS INFORMATION THAT IS PROPRIETARY TO MOLEX ELECTRONIC TECHNOLOGIES, LLC AND SHOULD NOT BE USED WITHOUT WRITTEN PERMISSION										
DIMENSION UNITS <b>mm</b>	SCALE <b>1:1</b>	CURRENT REV DESC: SEE REV TABLE.				<b>molex</b>				
GENERAL TOLERANCES (UNLESS SPECIFIED)		EC NO: 735397								
ANGULAR TOL ± 1.0°		DRWN: VISHNM2 2022/10/19				QSFP+ 1X1 CAGE ASSEMBLY W / ELASTOMERIC GASKET, SUS INNER SPRING FINGER (ROUND & SQUARE)				
4 PLACES ±		CHK'D: PRARTP 2023/01/18								
3 PLACES ±		APPR: SCHIEN 2023/01/18				PRODUCT CUSTOMER DRAWING				
2 PLACES ± 0.13		INITIAL REVISION:				DOCUMENT NUMBER		DOC TYPE	DOC PART	REVISION
1 PLACE ± 0.25		DRWN: PKH 2022/05/27				747503022		PSD	ASY	A1
0 PLACES ±		APPR: SCHIEN 2022/07/07				SEE SHEET 4				
DRAFT WHERE APPLICABLE MUST REMAIN WITHIN DIMENSIONS	THIRD ANGLE PROJECTION 	DRAWING <b>D-SIZE</b>	SERIES <b>74750</b>	MATERIAL NUMBER	CUSTOMER	SHEET NUMBER <b>9 OF 9</b>				

DOCUMENT STATUS	P1	RELEASE DATE	2023/01/18 07:47:29
-----------------	----	--------------	---------------------