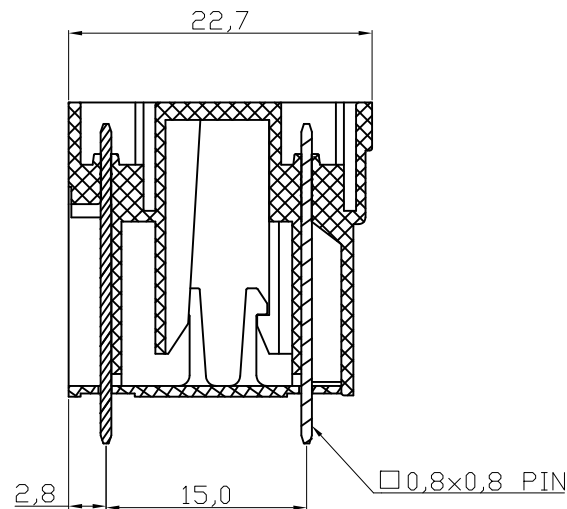


N= NUMBER OF CONTACTS



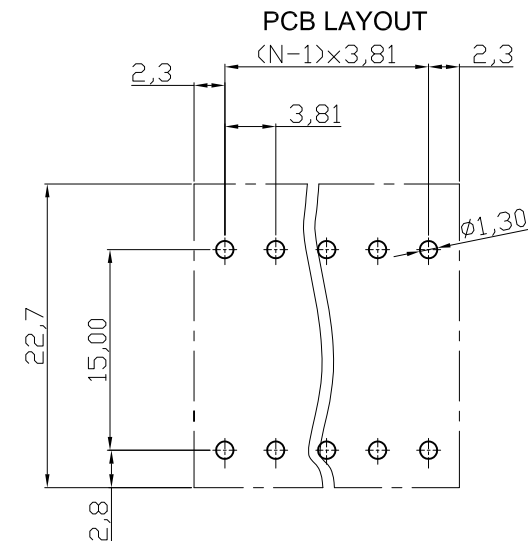
SECTION A-A

**Material**

Terminal body(contact pin): Brass with Tin plated  
 Insulator (housing): Thermoplastic (UL94V-0),Green

**Electrical**

cULus  
 Voltage rating: 300VAC  
 Current rating: 10A  
 Wire range:  
 Solid wire(AWG):  
 Stranded wire (AWG):  
 Withstanding Voltage: 1.6KV  
 Operating temperature: -30°C to +105°C  
 Soldering temperature: 250°C±10°C/5 Sec  
 Safety Approval:



**RoHS compliant**

Scale	1:1						Date	Name	Customer-No.
TOLERANCE						Drawn	10.12.2009	Dean	ASSMANN WSW-No. <b>A-TB381-VLxxV</b>
X.	±0.50					Approved	10.12.2009	Hellwig	
X.X	±0.30								
X.XX	±0.10								
DIM	TOL								
X.°	±1°								Drawing-No.
		①	Drawn	10.12.2009	Dean			<b>ASS 3844 CO</b> rev01	
Angle	TOL	Id.	Modification	Date	Name			Replace	Sheet

**RoHS compliant**