

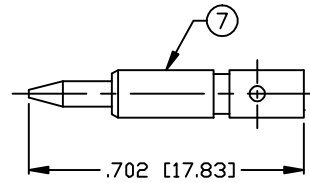
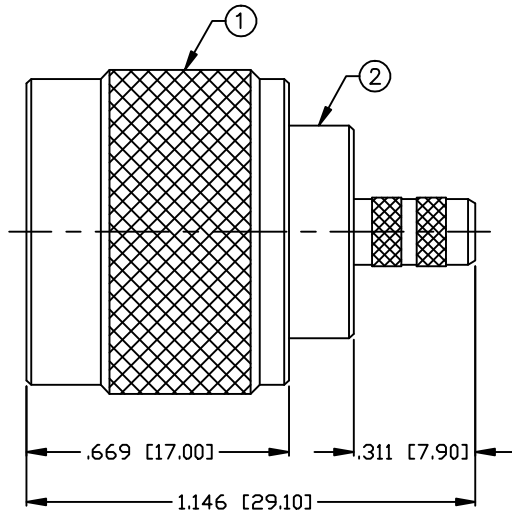
THIS DRAWING CONTAINS INFORMATION PROPRIETARY TO RF INDUSTRIES,  
 ANY UNAUTHORIZED USE OF THIS DRAWING IS EXPRESSLY PROHIBITED  
 WITHOUT WRITTEN PERMISSION FROM RF INDUSTRIES.  
 ANY VIOLATION IS PUNISHABLE UNDER U.S. COPYRIGHT LAWS.

ALL DIMENSIONS ARE REFERENCE ONLY

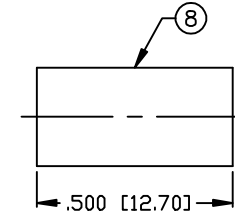
PART NO.

**RFN-1005-3C1**

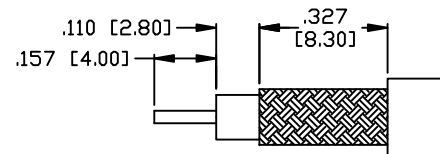
REV	DESCRIPTION	DWN	DATE	APPROVED
A	ENGINEERING RELEASE	CZS	10/29/99	R. RICE
B	CHANGE FERRULE STUD, FORMAT, SPECS & DWG # (9254A)	CZS	8/23/01	JDMc



RECOMMENDED CRIMP DIE: .100



RECOMMENDED CRIMP DIE: .213



RECOMMENDED STRIPPING DIM'S

**SPECIFICATIONS:**

IMPEDANCE: 50 Ohms  
 FREQUENCY RANGE: 0-11 GHz  
 VSWR: 1.3 Max. @ 9 GHz  
 INSERTION LOSS: .06 dB Max. x  $\sqrt{f(\text{GHz})}$   
 WORKING VOLTAGE: 1k V rms @ sea level  
 TEMPERATURE RANGE: -65°C TO 165°C  
 INSULATION RESISTANCE: 5k M Ohms min.  
 (C1) FOR RG-55, 55A, 55B, 142, 142A, 142B, 223 & 400/U,  
 ALPHA 9055, 9055B, 9223, BELDEN 8219, 83242, 84142, 9907

1	SHELL	1	BRASS	SILVER, 80 $\mu$ "	008974	
2	BODY	1	BRASS	SILVER, 80 $\mu$ "		
3	INSULATOR	1	PTFE	---		
4	GROUND RING	1	BRASS	SILVER, 80 $\mu$ "		
5	GASKET	1	SILICONE	---		
6	RETAINING RING	1	SUS 304	---		
7	PIN	1	BRASS	GOLD, 3 $\mu$ "		
8	FERRULE	1	BRASS	SILVER, 80 $\mu$ "		
9						
10						
11						
12						
13						
14						
#	DESCRIPTION	QTY	MATERIAL	FINISH	APPROVALS	DATE

UNLESS OTHERWISE SPECIFIED:  
 1. REMOVE ALL BURRS  
 2. BREAK ALL CORNERS & EDGES .005 R. MAX.  
 3. CHAMFER 1ST & LAST THREADS 45°  
 4. SURFACE ROUGHNESS 63 FINISH MIL-STD-10  
 5. DIAMETERS ON COMMON CENTERS TO BE CONCENTRIC WITHIN .002 T.I.R.  
 6. ALL DIMENSIONS ARE AFTER PLATING.

DIMENSIONS ARE IN INCHES AND [MILLIMETERS]  
 UNLESS OTHERWISE NOTED TOLERANCES ARE:  
 DECIMALS .XXX±.003 [.08]  
 DIAMETER .XXX±.001 [.03]  
 .XX±.005 [.13]

**RFconnectors** 7610 MIRAMAR RD  
 SAN DIEGO, CA 92126  
 (858) 549-6340  
 DIVISION OF RF INDUSTRIES, LTD. (858) 549-6345 FAX

**N PLUG, CRIMP**

SIZE	CABLE GROUP	DWG NO.	REV
A	C1	RFN-1005-3C1	B
SCALE: NTS		CAD FILE OUTLINE	SHEET 1 OF 1