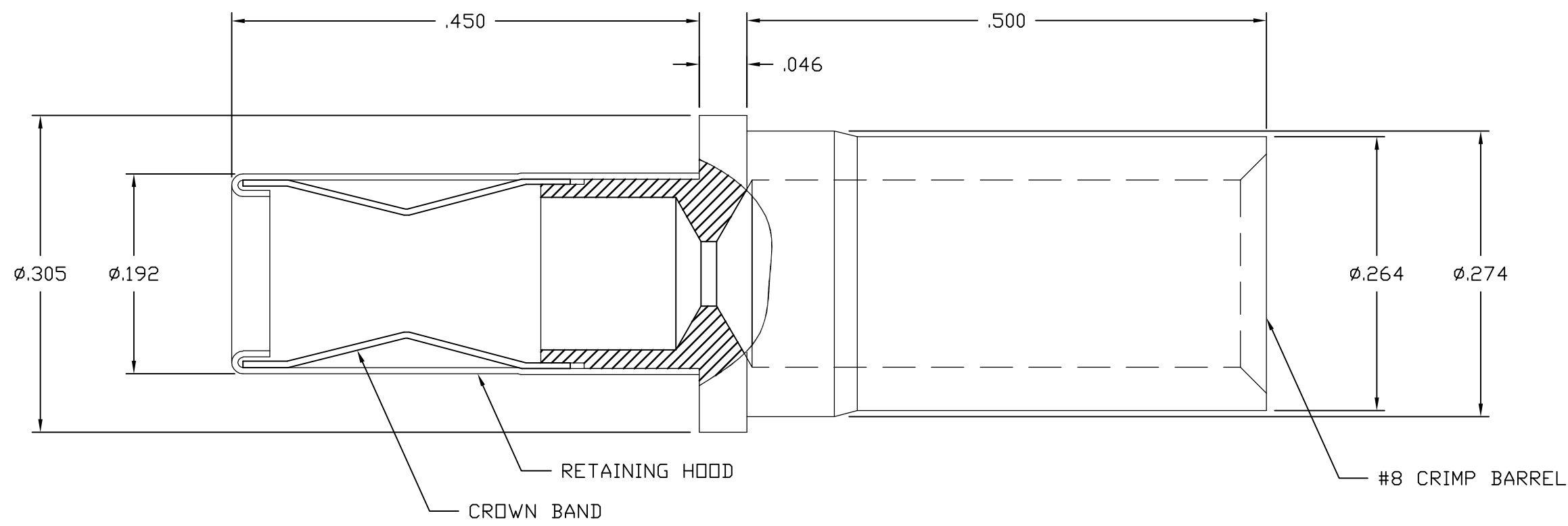


THIS DRAWING IS UNPUBLISHED. RELEASED FOR PUBLICATION
 © COPYRIGHT BY TYCO ELECTRONICS CORPORATION. ALL RIGHTS RESERVED.

LOC	DIST	REVISIONS					
GP	00	P	LTR	DESCRIPTION	DATE	DWN	APVD
			A	RELEASED	18APR06	RG	SF



- 5. REFERENCE ELCON SERIES 702-31-11107.
- 4. FINISH:
 SOCKET BODY: SILVER PLATED .0002 MIN THK. OVER NICKEL .00004 MIN THK..
 CROWN CONTACT: GOLD PLATED .000030 MIN THK. OVER NICKEL .00004 MIN THK..
 RETAINING HOOD: PASSIVATED.

- 3. MATERIALS:
 SOCKET BODY: COPPER ALLOY
 CROWN CONTACT: BERYLLIUM COPPER.
 RETAINING HOOD: STAINLESS STEEL.

- 2. ITEMS PROVIDED TO THIS SPECIFICATION SHALL BE PERMANENTLY IDENTIFIED/PACKAGED PER THE FOLLOWING:
 CONNECTOR PART NUMBER AND DATE CODE OF MFR.
- 1. PART NUMBER CHANGES AND/OR DESIGN CHANGES AFFECTING ITEM INTERCHANGEABILITY REQUIRE PRIOR ELCON APPROVAL AND AUTHORIZATION BY REVISION TO THIS DRAWING.

AS SHOWN	6648317-1
DESCRIPTION	PART NUMBER

THIS DRAWING IS A CONTROLLED DOCUMENT.		DWN	R.GRZYBOWSKI	18APR2006	Tyco Electronics Corporation Harrisburg, PA 17105-3608				
DIMENSIONS: INCHES		CHK	S.FLICKINGER	18APR06					
TOLERANCES UNLESS OTHERWISE SPECIFIED:		APVD	S.FLICKINGER	18APR06					
0 PLC ± - 1 PLC ± .02 2 PLC ± .010 3 PLC ± - 4 PLC ± - ANGLES ± .5		NAME		SOCKET CONTACT, SIZE #8 CRIMP REMOVABLE STYLE					
MATERIAL		PRODUCT SPEC		APPLICATION SPEC		SIZE	CAGE CODE	DRAWING NO	RESTRICTED TO
-		-		-		A3	00779	C-6648317	-
CUSTOMER DRAWING				SCALE	1:1	SHEET	1 OF 1	REV	A

ELCON CIRCULAR CONTACT