

| Pin | Signal Name | Signal Name | Pin |
|-----|-------------|-------------|-----|
| A1 | GND | GND | B12 |
| A4 | VBUS | VBUS | B9 |
| A5 | CC1 | SBU2 | B8 |
| A6 | DP1 | DN2 | B7 |
| A7 | DN1 | DP2 | B6 |
| A8 | SBU1 | CC2 | B5 |
| A9 | VBUS | VBUS | B4 |
| A12 | GND | GND | B1 |

| | | | | | |
|--------------|-----------|--|---|---|--|
| Revision: | Date: | Description: | Prepared: | Notes: RoHS compliant Function test: no open, no short circuit, no intermittent | <h1>TENSILITY</h1> <p>tel 1.541.323.3228 800 877.670.7118 fax 1.541.323.4202 web tensility.com</p> |
| A | 4/12/2023 | Initial release | Verified: | | |
| | | | <p>Dimensions are in millimeters. Tolerances: X: ± 0.3 mm X.X: ± 0.1 mm X.XX: ± 0.05 mm</p> | | |
| Description: | | Connector, USB C 2.0 jack, 16 pin, SMT, through hole, 90°, nickel shell, IPX7 waterproof, reel | | | <p>Size: A Part number: 54-00305</p> |
| | | | | | Scale: 4:1 Sheet 1 of 2 |

Ratings

Rated voltage: 30 Vdc
 Rated current: 3 A

Operating Temperature Range

-40 ~ 85 °C

Materials

- ① Insulator: polyphthalamide (PPA), UL94 V-0, black
- ② Shell: zink alloy, nickel plating
- ③ Shell: zink alloy
- ④ Pins: copper alloy, gold plating
- ⑤ O-ring: silicone rubber, white
- ⑥ Epoxy: black

Electrical Requirements

Dielectric strength: 1 min @ 100 Vac
 Insulation resistance: 100 MΩ min
 Contact resistance:
 VBUS & GND pins and other pins: 40mΩ/pin or less
 Shield: 50mΩ or less

Mechanical Requirements

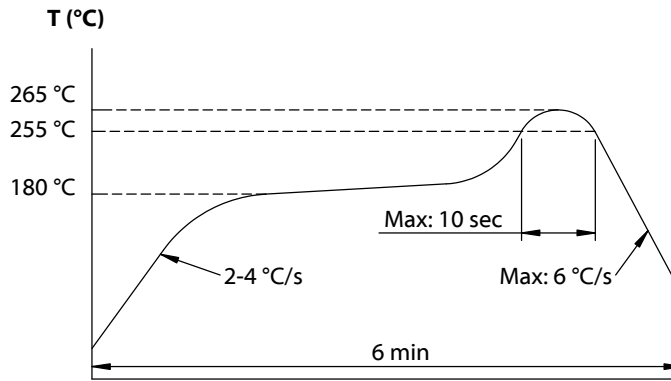
Insertion force: 0.5-2 kgf maximum
 Withdrawal force: 0.6-2 kgf minimum
 Life cycle: 10000 mating cycles while maintaining less than 50 mΩ contact resistance (terminal) and 100 mΩ contact resistance (ground)

Environmental Requirements

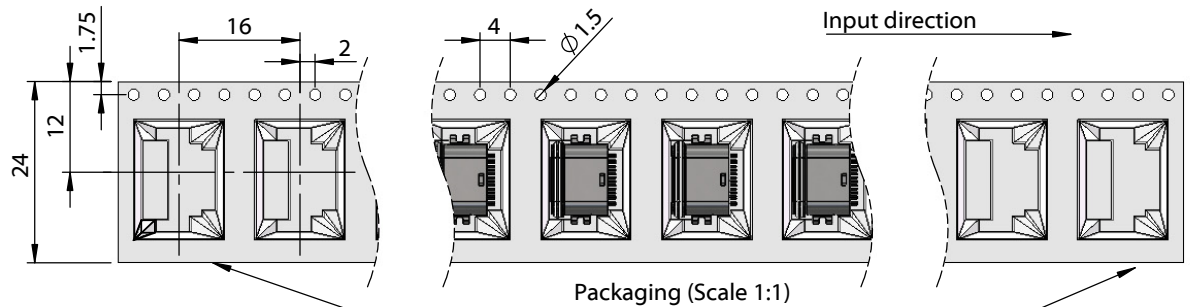
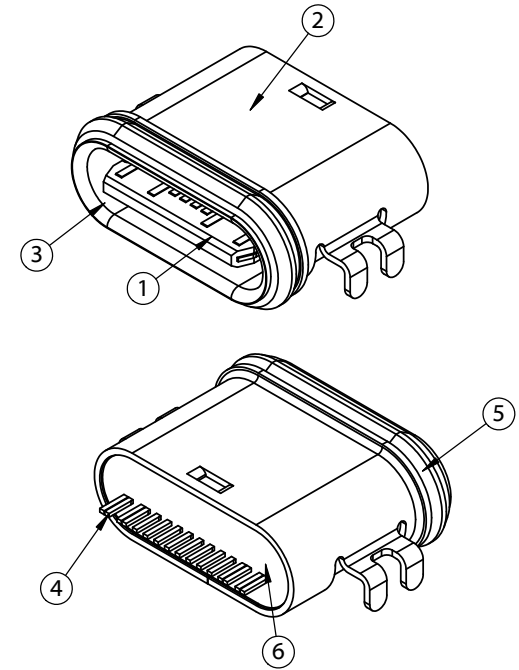
Waterproof: IPX7

Packaging

Tape and Reel
 800 pieces per reel
 10 reels per carton




Reflow soldering temperature profile



Packaging (Scale 1:1)

300mm empty reel at both ends

| | | | | | |
|-----------|-----------|-----------------|---|--|---|
| Revision: | Date: | Description: | Prepared:  | Notes: | <h1>TENSILITY</h1> <p>tel 1.541.323.3228 800 877.670.7118 fax 1.541.323.4202 web tensility.com</p> |
| A | 4/12/2023 | Initial release | Verified: | RoHS compliant | |
| | | | Dimensions are in millimeters. | Function test: no open, no short circuit, no intermittent | |
| | | | Tolerances: | Description: | |
| | | | X: ± 0.3 mm X.X: ± 0.1 mm X.XX: ± 0.05 mm | Connector, USB C 2.0 jack, 16 pin, SMT, through hole, 90°, nickel shell, IPX7 waterproof, reel | |
| | | | | Size: A | Part number: 54-00305 |
| | | | | Scale: 4:1 | Sheet 2 of 2 |