







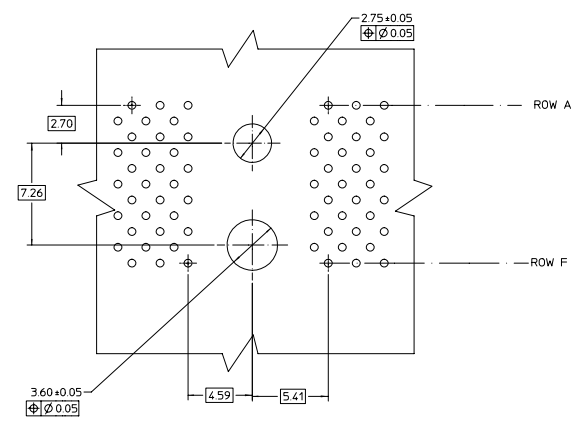
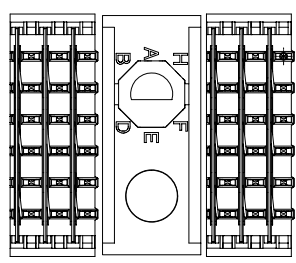


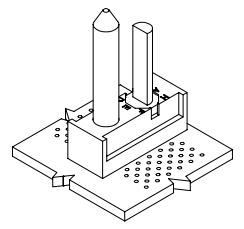
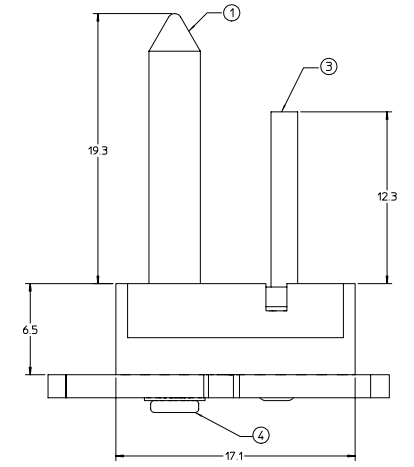
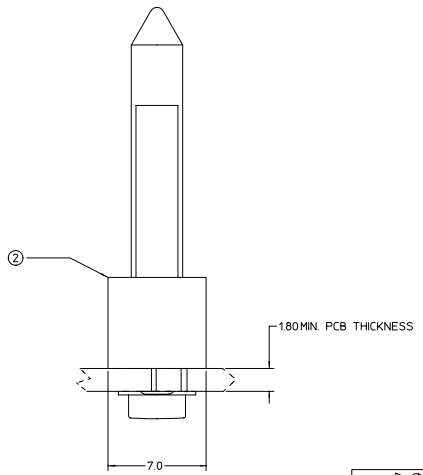
20 19 18 17 16 15 14 13 12 11 10 9 8 7 6 5 4 3 2 1

MATERIAL NUMBER PCB THICKNESS >4.0 - 9.0 mm	MATERIAL NUMBER PCB THICKNESS 1.8 - 4.0 mm	BUSHING KEYING POSITION
74958-6901	74958-6001	A 
74958-6902	74958-6002	B 
74958-6903	74958-6003	C 
74958-6904	74958-6004	D 
74958-6905	74958-6005	E 
74958-6906	74958-6006	F 
74958-6907	74958-6007	G 
74958-6908	74958-6008	H 



**BILL OF MATERIAL FOR 74958-60\*\***

ITEM	DESCRIPTION	QTY
1	GUIDE PIN	1
2	GUIDANCE & POLARIZING MODULE HOUSING	1
3	KEYING PIN	1
4	SCREW & WASHER (PCB 1.8-4.0mm)	1



**BILL OF MATERIAL FOR 74958-69\*\***

ITEM	DESCRIPTION	QTY
1	GUIDE PIN	1
2	GUIDANCE & POLARIZING MODULE HOUSING	1
3	KEYING PIN	1
4	SCREW & WASHER (PCB >4.0-9.0mm)	1

- NOTES:
- MATERIAL:  
HOUSING: LIQUID CRYSTAL POLYMER (LCP),  
COLOR : BLACK  
GUIDE PIN / KEYING PIN: STAINLESS STEEL
  - THIS PART CONFORMS TO MOLEX SPECIFICATION  
PS-74031-999
  - PACKAGING : STANDARD BULK PACK, 100 PER BAG  
PACKAGE SCREW SEPARATELY.

EC NO. LDT2002-0396 DRWN. MOSLEY 2001/12/17 CHKD. SREED 2001/12/19 APPR. CBIXLER 2001/12/20 REV DESCRIPTION	QUALITY SYMBOLS	GENERAL TOLERANCES (UNLESS SPECIFIED)	SCALE 6:1	DESIGN UNITS METRIC	THIRD ANGLE PROJECTION	REVISE ON CAD ONLY
	▽-0	4 PLACES ± --- ± ---	DIMENSION STYLE MM ONLY	DRAWN BY NMARTIN	DATE 01/09/05	TITLE
	▽-0	3 PLACES ± --- ± ---	ANGULAR ± 2 °	CHECKED BY JLAURX	DATE 01/09/05	VHDM BACKPLANE GUIDANCE AND POLARIZING MODULE 6 ROW SALES DRAWING MOLEX MOLEX INCORPORATED
		2 PLACES ± --- ± ---	DRAFT WHERE APPLICABLE MUST REMAIN WITHIN DIMENSIONS	APPROVED BY CBIXLER	DATE 01/09/05	
	1 PLACE ± --- ± ---			MATERIAL NO. SEE CHART	DOCUMENT NO. SD-74958-002	SHEET NO. 1 OF 1

THIS DRAWING CONTAINS INFORMATION THAT IS PROPRIETARY TO MOLEX INCORPORATED AND SHOULD NOT BE USED WITHOUT WRITTEN PERMISSION