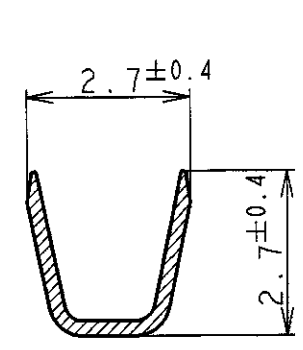
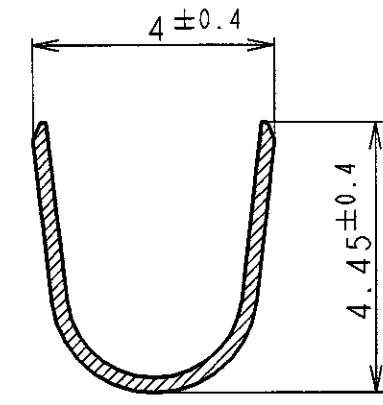


THIS DRAWING IS UNPUBLISHED. RELEASED FOR PUBLICATION .19
 BY AMP INCORPORATED. ALL RIGHTS RESERVED.

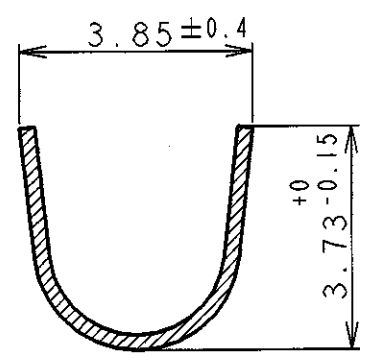
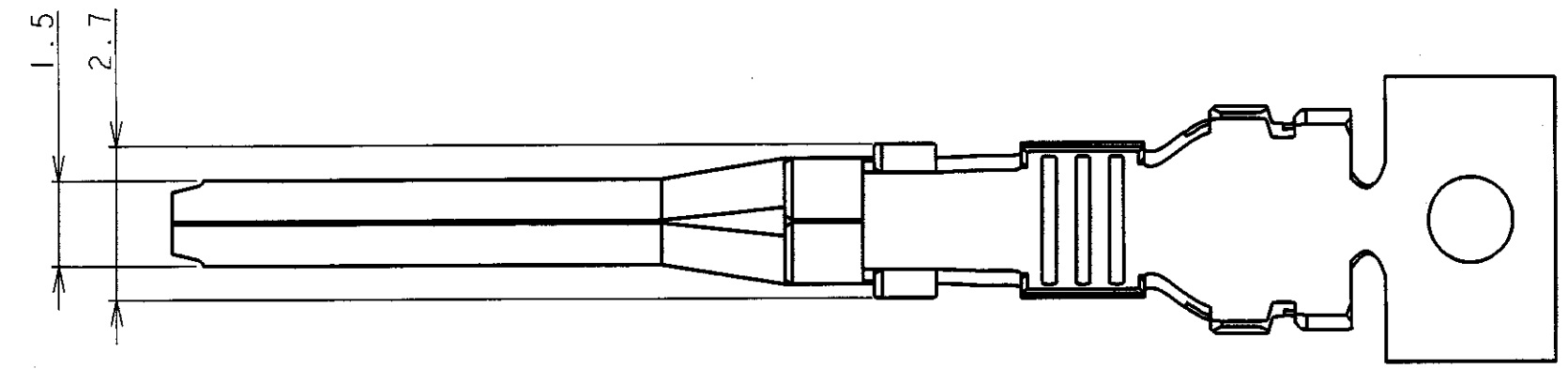
LOC		DIST		REVISIONS				
P	LTR	DESCRIPTION		ECN	DATE	DWN	APVD	
-	-	C	REVISED	FJ00-0401-99	9.MAR'99	CWL	<i>[Signature]</i>	



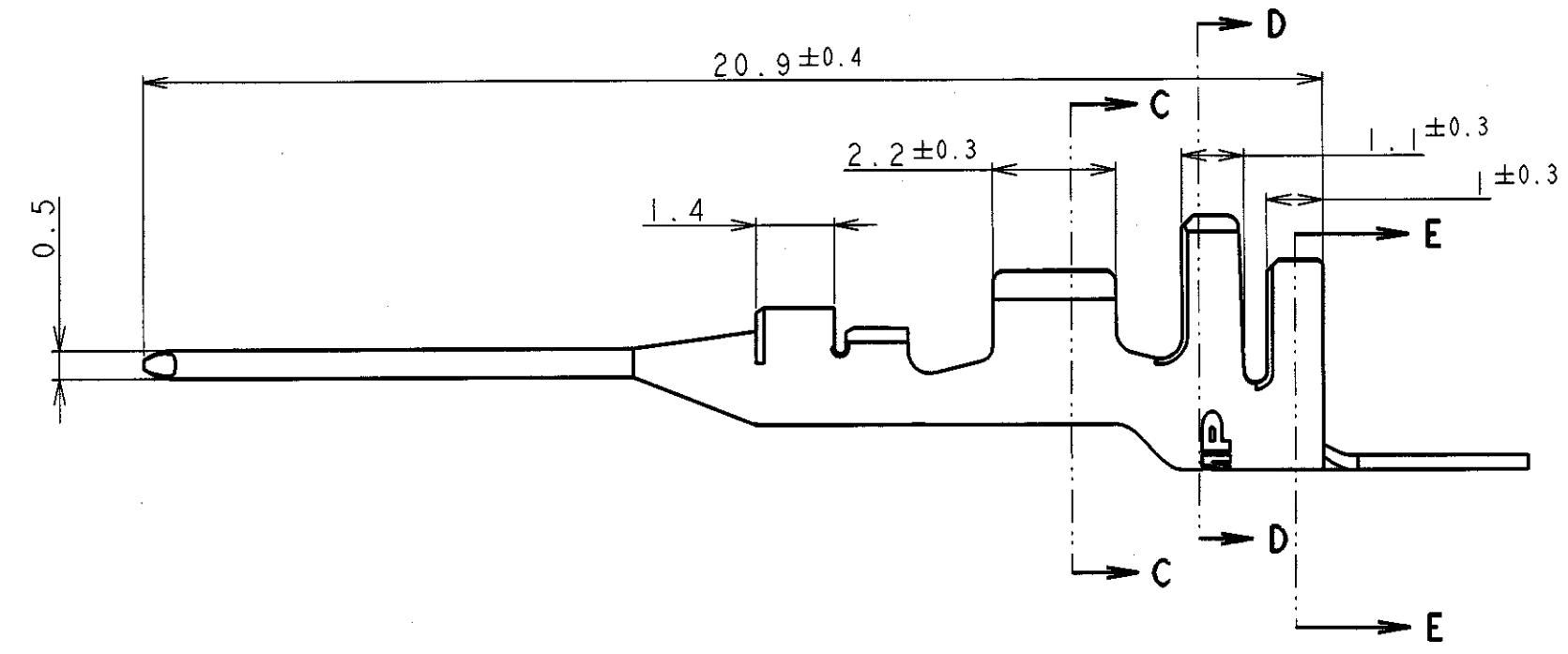
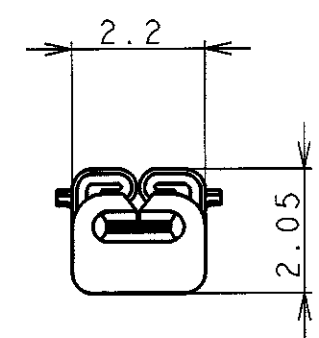
SECT 断面 C-C



SECT 断面 D-D



SECT 断面 E-E



NOTES:
 1. APPLICABLE SPECIFICATIONS:
 PRODUCT SPEC: 108-5616
 APPLICATION SPEC: 114-5256

1123910-1
 PART NUMBER

WIRE RANGE 絶合電線断面積	0.51-1.38mm ² (AWG #20-#16)	INSULATION DIA 被覆外径	Ø1.8-3.1mm
-----------------------	---	------------------------	------------

THIS DRAWING IS A CONTROLLED DOCUMENT FOR AMP INCORPORATED. IT IS SUBJECT TO CHANGE AND THE CONTROLLING ENGINEERING ORGANIZATION SHOULD BE CONTACTED FOR THE LATEST REVISION.		DWN W. L. CHOO 10. JUN '98	AMP 日本イー・エム・ピー株式会社 Kawasaki, Japan	
DIMENSIONS: 単位: 英 mm		CHK J. TANIGAWA 11. JUN '98		
TOLERANCES UNLESS OTHERWISE SPECIFIED: 一般公差		APVD D. Kubouchi 9. MAR '99	NAME 名称 POWER TAB CONTACT FOR AMP MINI CT LATTICE CONNECTOR	
MATERIAL 材料 COPPER ALLOY		PRODUCT SPEC 製品規格 108-5616	SIZE 寸法 A3	CAGE CODE 箱号 00779
FINISH 仕上 PRE-TIN		APPLICATION SPEC 取付適用規格 114-5256	DRAWING NO 番号 C-1123910	RESTRICTED TO
CUSTOMER DRAWING		WEIGHT 重量 -	SCALE 尺度 8:1	SHEET 頁 1 OF 1 REV C