

THIS DRAWING IS UNPUBLISHED.

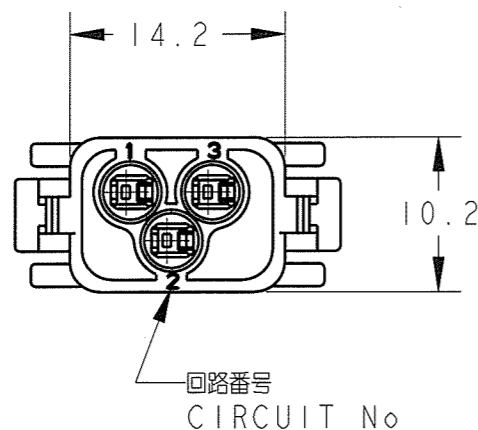
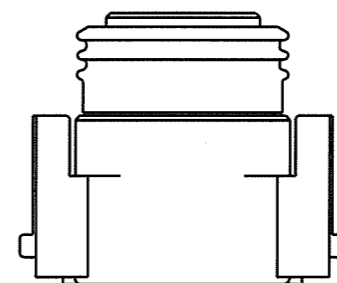
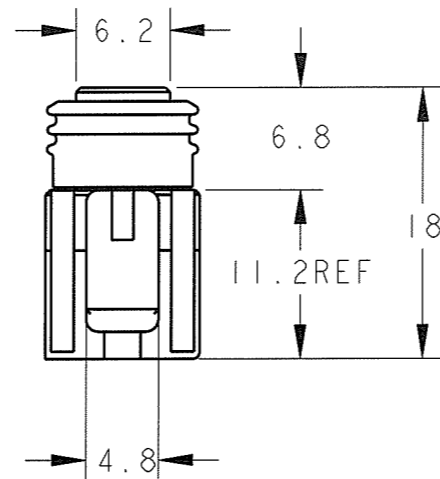
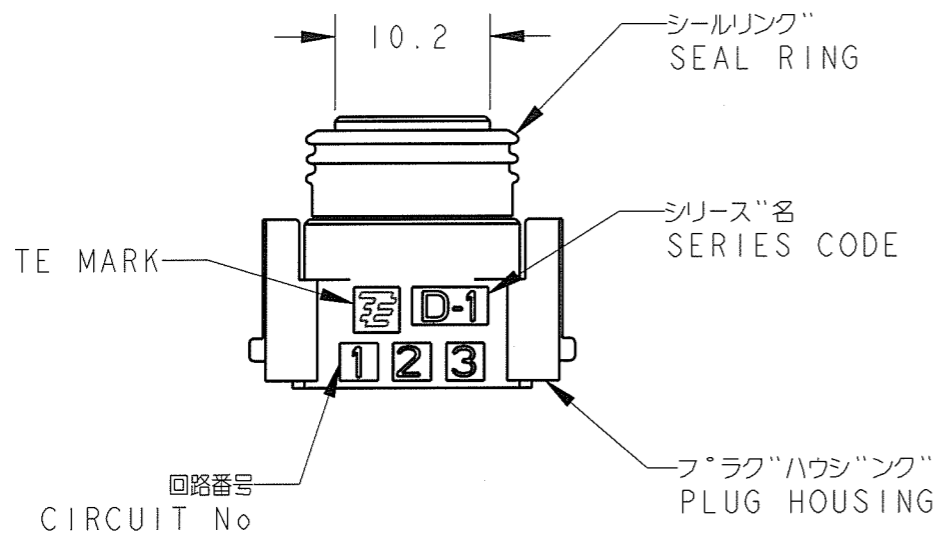
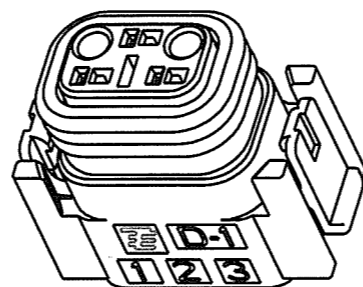
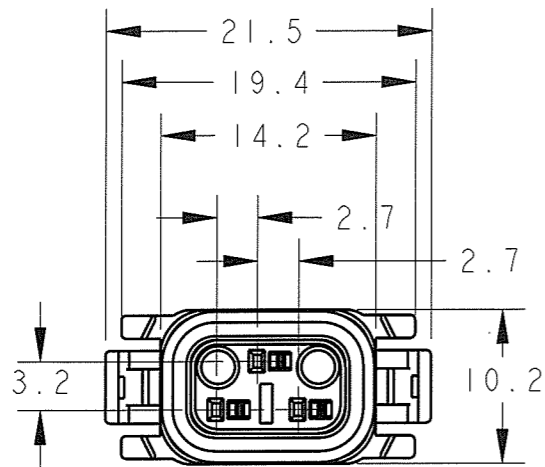
RELEASED FOR PUBLICATION

20

© COPYRIGHT 20 BY TYCO ELECTRONICS CORPORATION. ALL RIGHTS RESERVED.

LOC	DIST	REVISIONS					
		P	LTR	DESCRIPTION	DATE	DWN	APVD
J	-		A	RELEASED	03DEC2008	T.S	A.O

AS SHOWN:2013891-1



注記

- 材料: フラックハウジング: 熱可塑性ポリエステル樹脂 黒色
シールリング: シリコン 色: 黒色
- 嵌合相手型番: キャップハウジング 3P P/No 2013892-1

NOTES

- MATERIAL
: PLUG HOUSING: GLASS FIELD THERMO PLASTIC POLYESTER, COLOR: BLACK
: SEAL RING: SILICON, COLOR: BLACK
- MATING CONN: CAP HSG 3P P/No 2013892-1

THIS DRAWING IS A CONTROLLED DOCUMENT FOR TYCO ELECTRONICS CORPORATION IT IS SUBJECT TO CHANGE AND THE CONTROLLING ENGINEERING ORGANIZATION SHOULD BE CONTACTED FOR THE LATEST REVISION.		DWN T. Sakamoto 03DEC2008	Tyco Electronics Corporation Kawasaki, Japan	
DIMENSIONS: mm		CHK A. Ooishi 03DEC2008	NAME PLUG HSG 3P ASSY FAN MOTOR CONNECTOR <DYNAMIC D-1 WATERPROOF>	
TOLERANCES UNLESS OTHERWISE SPECIFIED: 0 PLC ± ±0.3 1 PLC ± ±0.3 2 PLC ± ±3° 3 PLC ± ± 4 PLC ± ± ANGLES ± ±		APVD A. Ooishi 03DEC2008	DRAWING NO 108-78519	
MATERIAL -		PRODUCT SPEC 114-5377	SIZE A3	RESTRICTED TO
FINISH -		WEIGHT -	CAGE CODE 00779	REV A
CUSTOMER DRAWING		SCALE 2:1		SHEET 1 OF 1