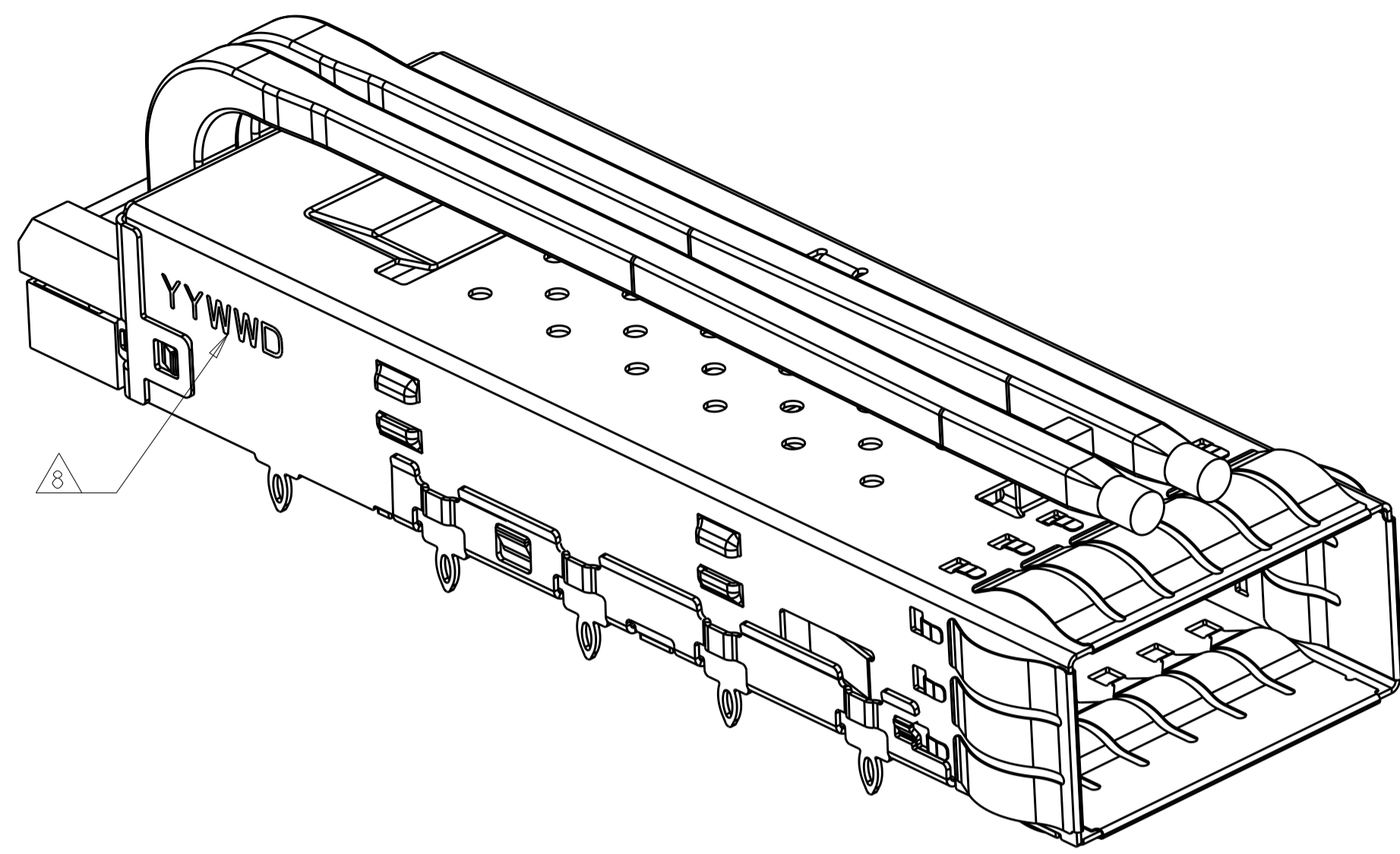
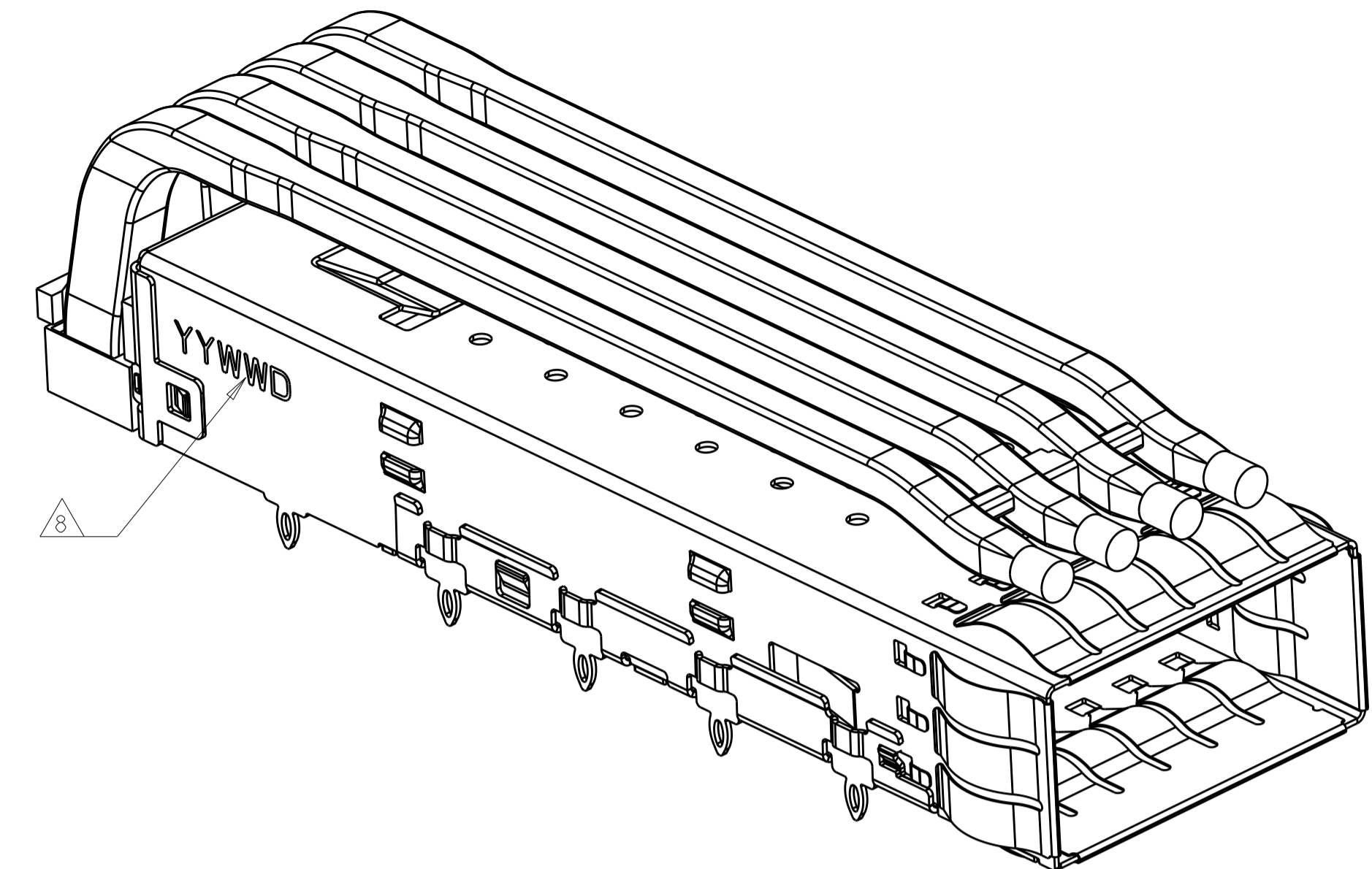


REVISIONS				
P.	LTN	DESCRIPTION	DATE	DWN - APVD
A		RELEASE	03NOV2016	JY SH



2170773-1 AS SHOWN  
SCALE 4:1



2170773-4 AS SHOWN  
SCALE 4:1

1. MATERIAL:  
 CAGE MATERIAL : 0.25 THICK NICKEL SILVER.  
 SPRING MATERIAL: COPPER ALLOY  
 LIGHT PIPE MATERIAL: POLYCARBONATE WITH 94 V-0  
 ORGANIZER MATERIAL: POLYESTER WITH 94 V-0

2. FINISH:  
 SPRING: NICKEL PLATING

3. DIMENSION APPLIES WITH MODULE INSTALLED IN THE CAGE TO TOP OF HEAT SINK.

4. REFERENCE APPLICATION SPEC 114-32023 FOR RECOMMENDED DRILL HOLE DIAMETER AND PLATING THICKNESS.

5. DATUM AND BASIC DIMENSIONS ESTABLISHED BY CUSTOMERS.

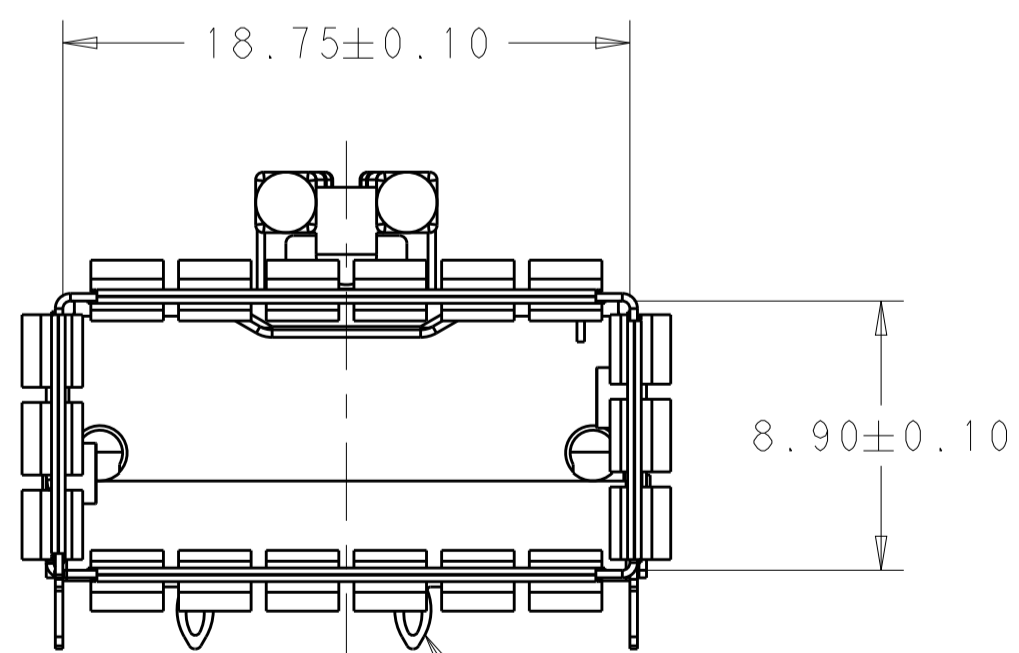
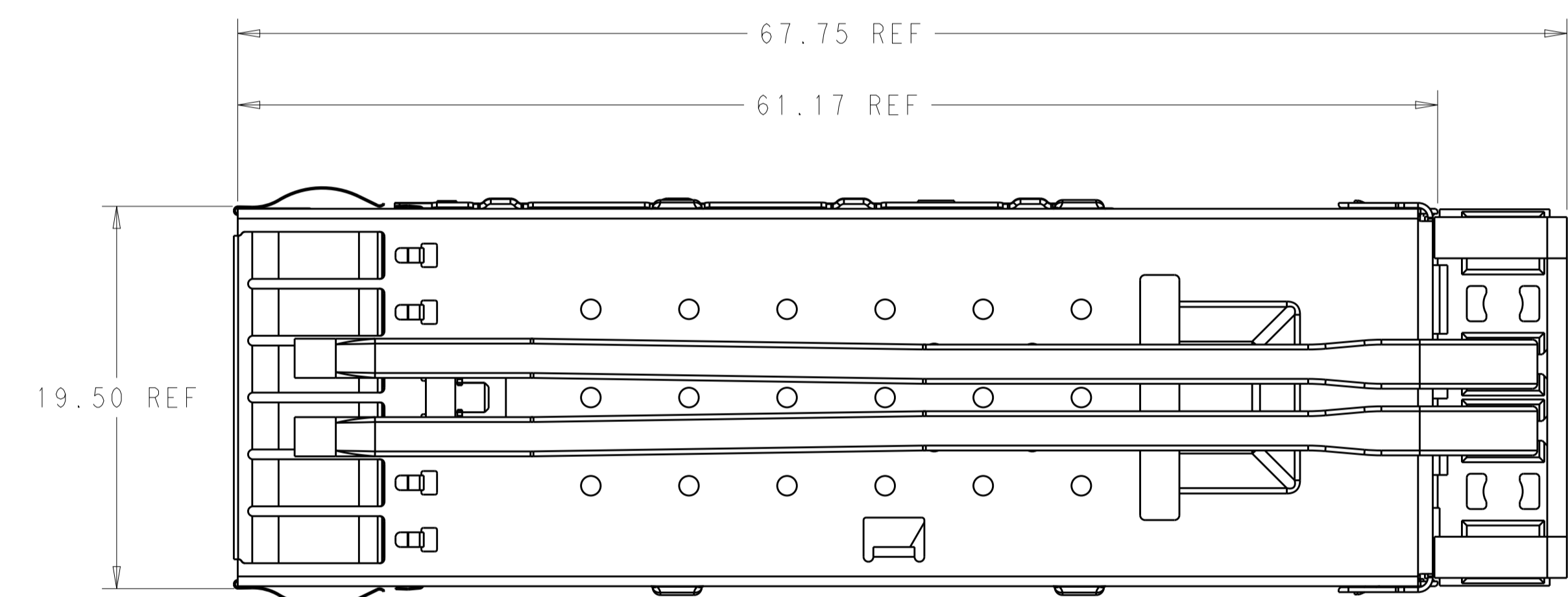
6. MINIMUM PC BOARD THICKNESS : SINGLE SIDED: 1.57 MIN  
 DOUBLE SIDED: 2.20 MIN

7. DATUM [-A-] IS TOP SURFACE OF THE HOST BOARD.

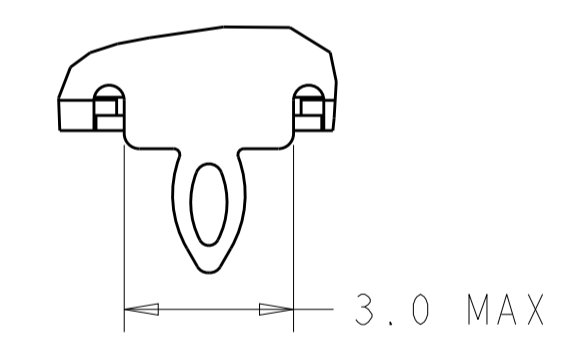
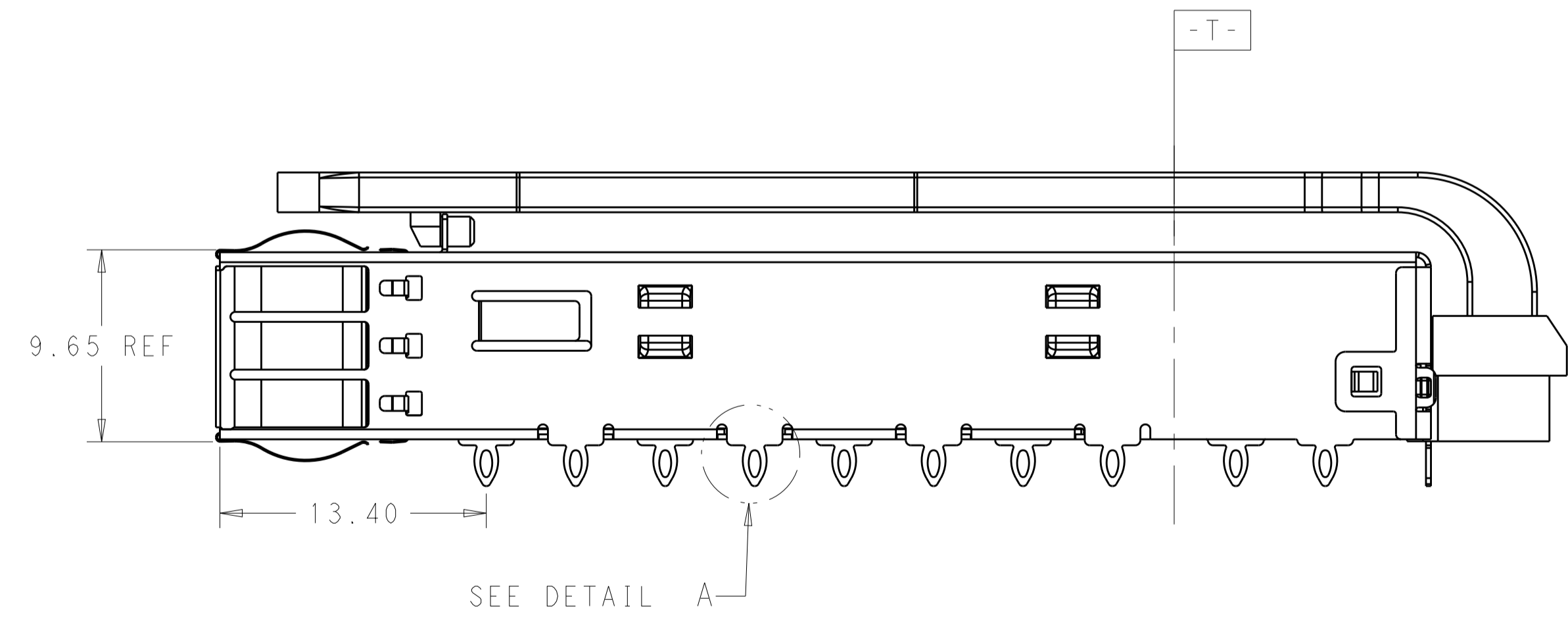
8. DATE CODE (YYWWD) MARKED APPROXIMATELY AS SHOWN

9. MATES WITH QSFP28 MSA COMPATIBLE TRANSCEIVER.

10. THESE HOLES ARE OPTIONAL WHEN THE REAR PINS ARE REMOVED.



REAR PINS OPTION



DETAIL A  
SCALE 8:1

SINGLE	0	2170773-7
QUAD	0	2170773-6
QUAD	1	2170773-5
QUAD	2	2170773-4
DUAL	0	2170773-3
DUAL	1	2170773-2
DUAL	2	2170773-1
LIGHT PIPE OPTION	# OF REAR PINS OPTION	PART NUMBER

THIS DRAWING IS A CONTROLLED DOCUMENT. DWN: JASON YANG 23SEP2013  
 CHN: SEAN HAN 23SEP2013  
 APVD: SEAN HAN 23SEP2013

TE Connectivity

NAME: CAGE ASSEMBLY, QSFP28, THRU BEZEL WITH EMI SPRING FINGER LIGHT PIPE

PRODUCT SPEC: 108-19428  
 APPLICATION SPEC: 114-32023

SIZE: A1  
 CAGE CODE: 00779  
 DRAWING NO: 2170773

RESTRICTED TO: -

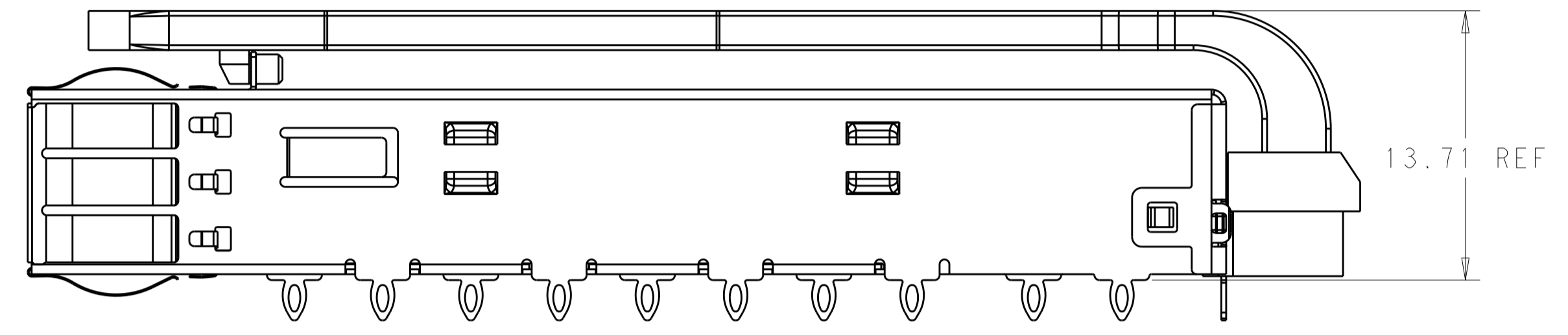
MATERIAL: -  
 FINISH: -

WEIGHT: -  
 CUSTOMER DRAWING

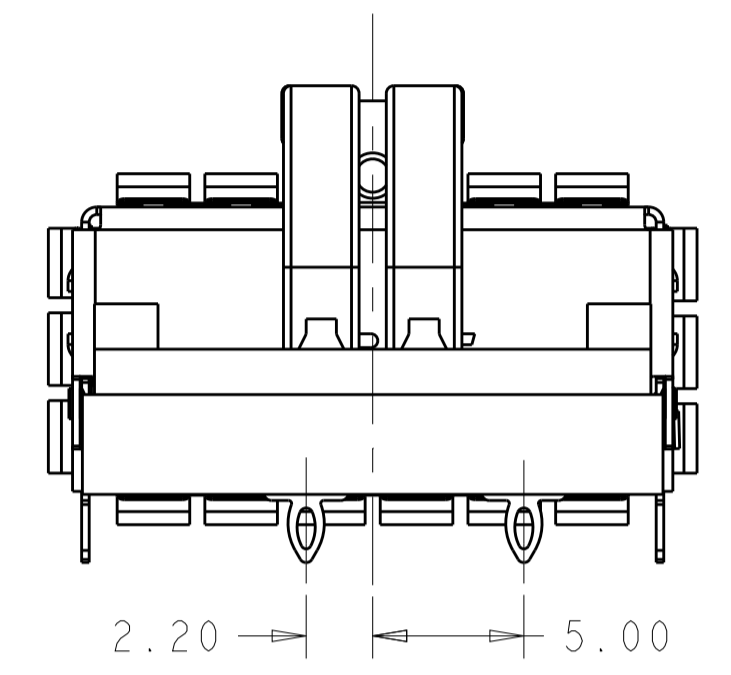
SCALE: 2:1  
 SHEET: 1 OF 7  
 REV: A

REVISIONS				
P. LTR	DESCRIPTION	DATE	OWN	APVD
-	SEE SHEET 1	-	-	-

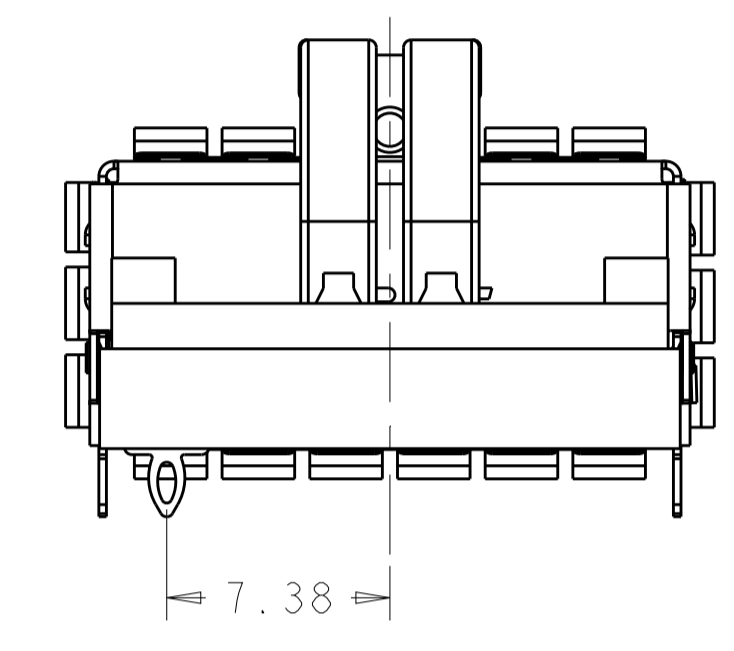
### # OF REAR LEGS OPTION



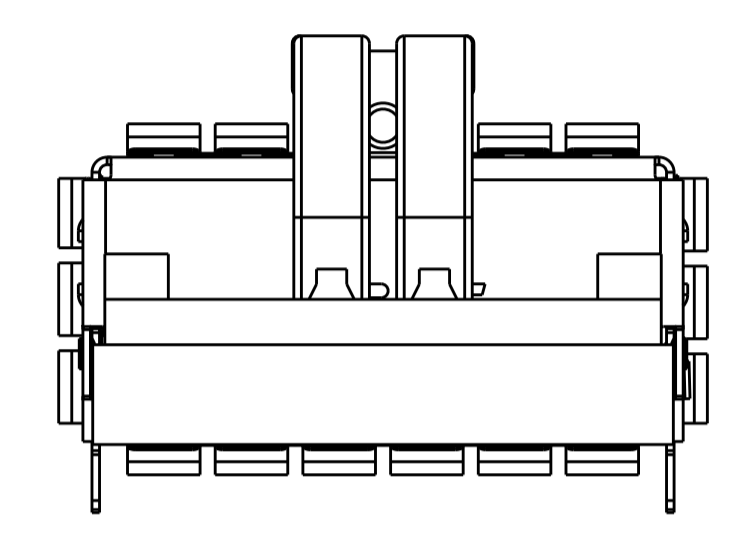
PN: 2170773-1/2/3



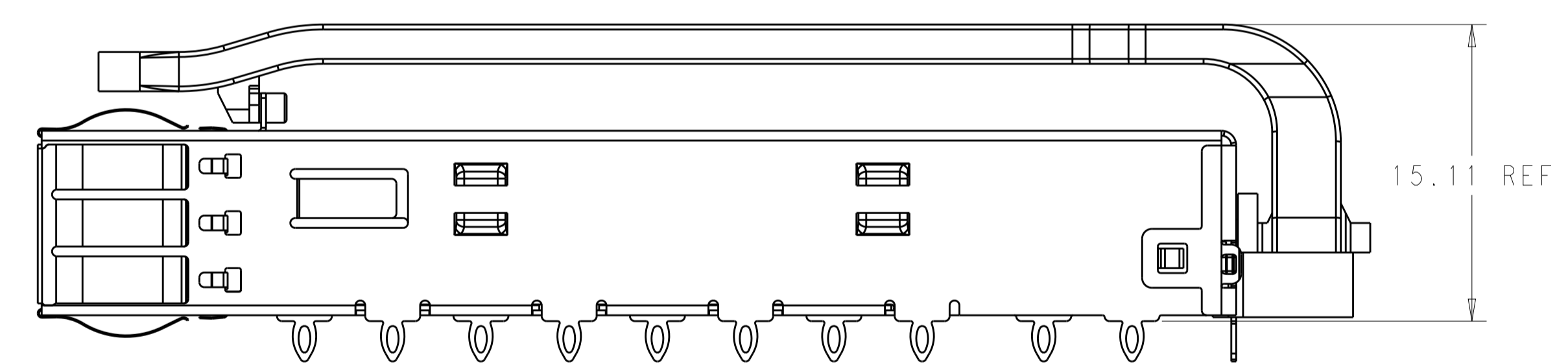
BACK VIEW OF 2170773-1  
SCALE 4:1



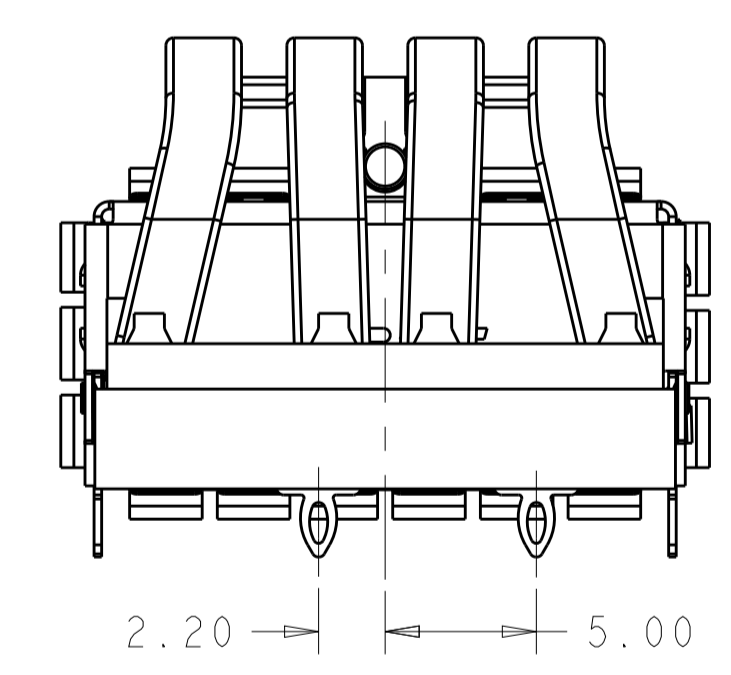
BACK VIEW OF 2170773-2  
SCALE 4:1



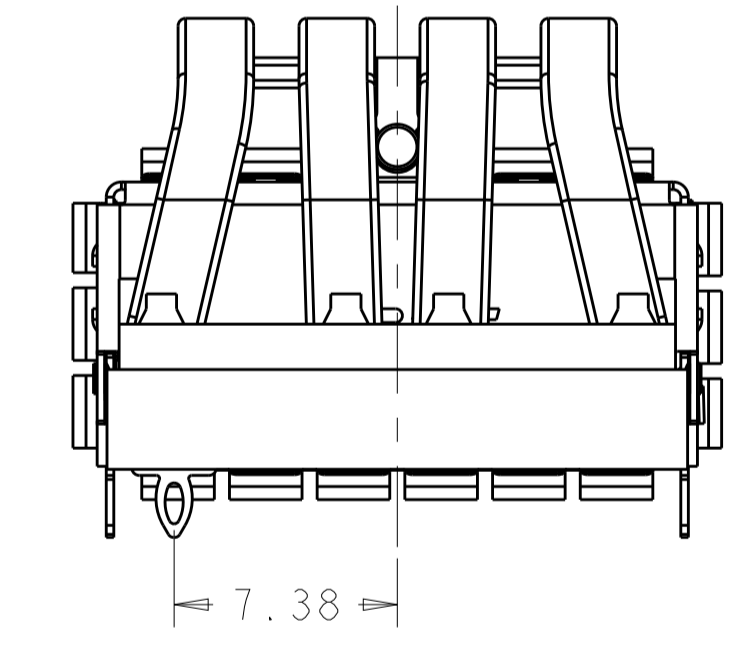
BACK VIEW OF 2170773-3  
SCALE 4:1



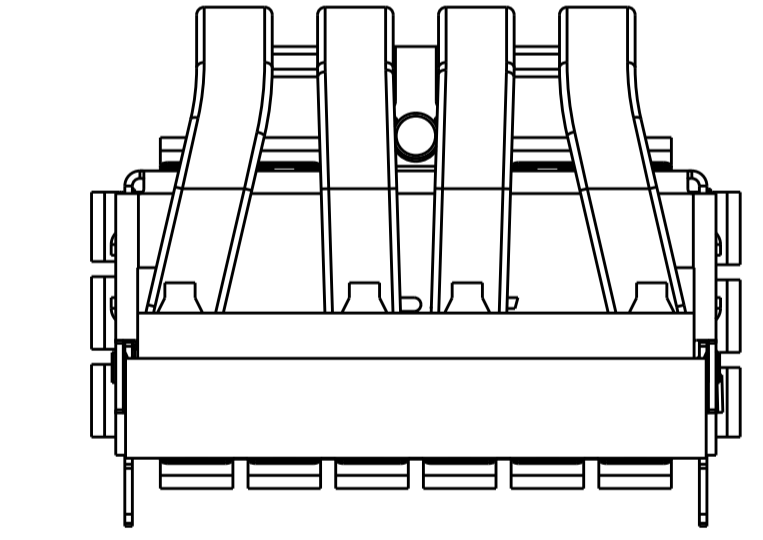
PN: 2170773-4/5/6



BACK VIEW OF 2170773-4  
SCALE 4:1



BACK VIEW OF 2170773-5  
SCALE 4:1

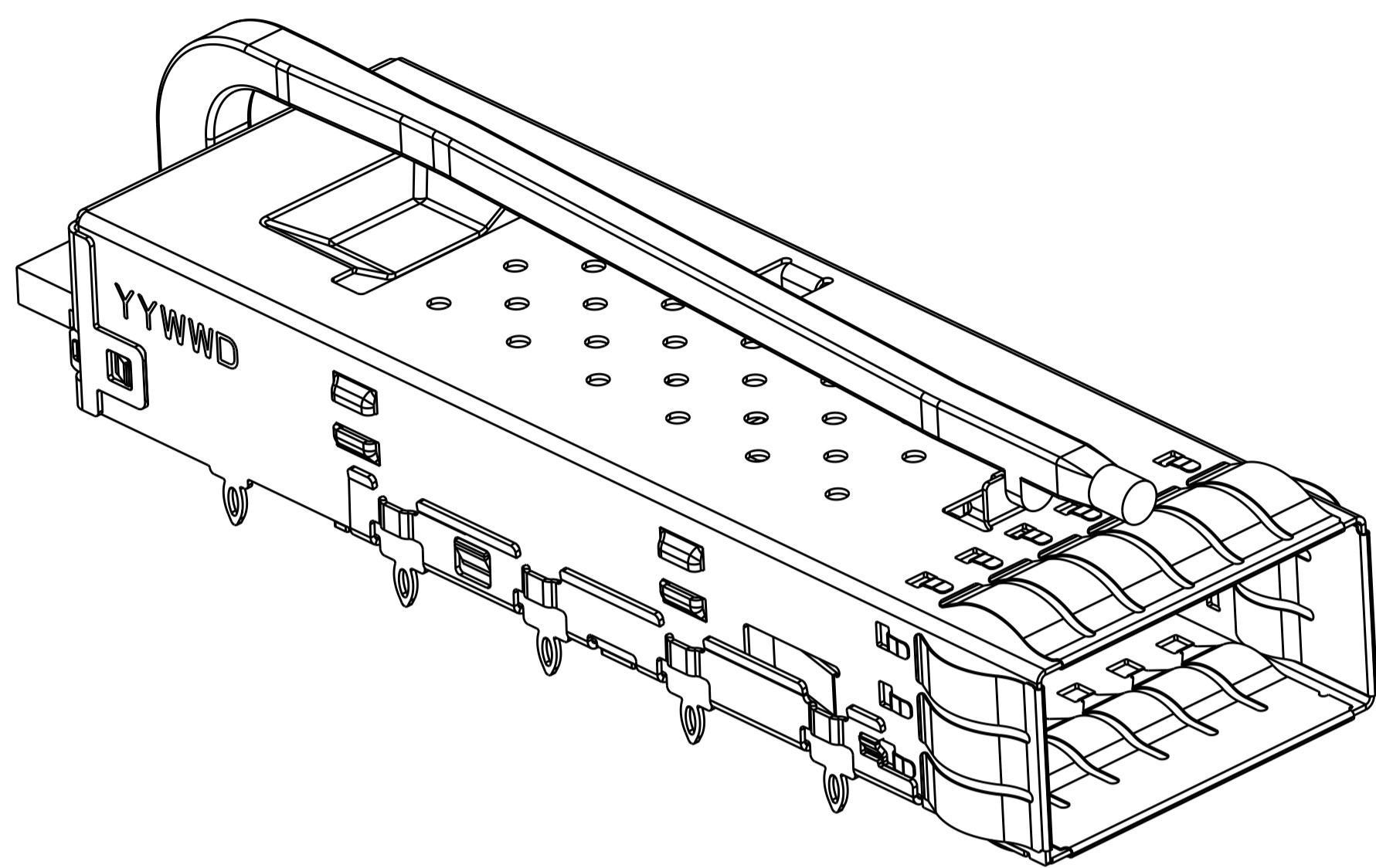


BACK VIEW OF 2170773-6  
SCALE 4:1

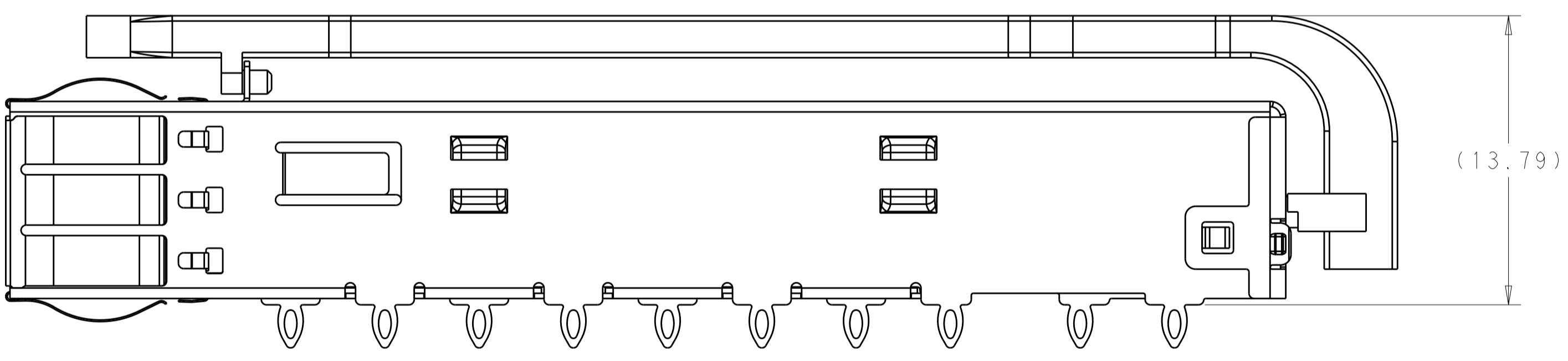
THIS DRAWING IS A CONTROLLED DOCUMENT.		OWN: JASON YANG 23SEP2013	TE Connectivity
		CHK: SEAN HAN 23SEP2013	
DIMENSIONS:		APVD: SEAN HAN 23SEP2013	NAME: CAGE ASSEMBLY, QSFP28, THRU BEZEL WITH EMI SPRING FINGER LIGHT PIPE PRODUCT SPEC: 108-19428 APPLICATION SPEC: 114-32023
TOLERANCES UNLESS OTHERWISE SPECIFIED: 0 PLC ±0.25 1 PLC ±0.25 2 PLC ±0.25 3 PLC ±0.100 4 PLC ± ANGLES ±°		SIZE: A1 CAGE CODE: 00779 DRAWING NO: C=2170773	
MATERIAL:		WEIGHT:	RESTRICTED TO:
		CUSTOMER DRAWING	SCALE: 2:1 SHEET 2 OF 7 REV A

THIS DRAWING IS UNPUBLISHED. RELEASED FOR PUBLICATION  
COPYRIGHT copyright dbt ALL RIGHTS RESERVED.

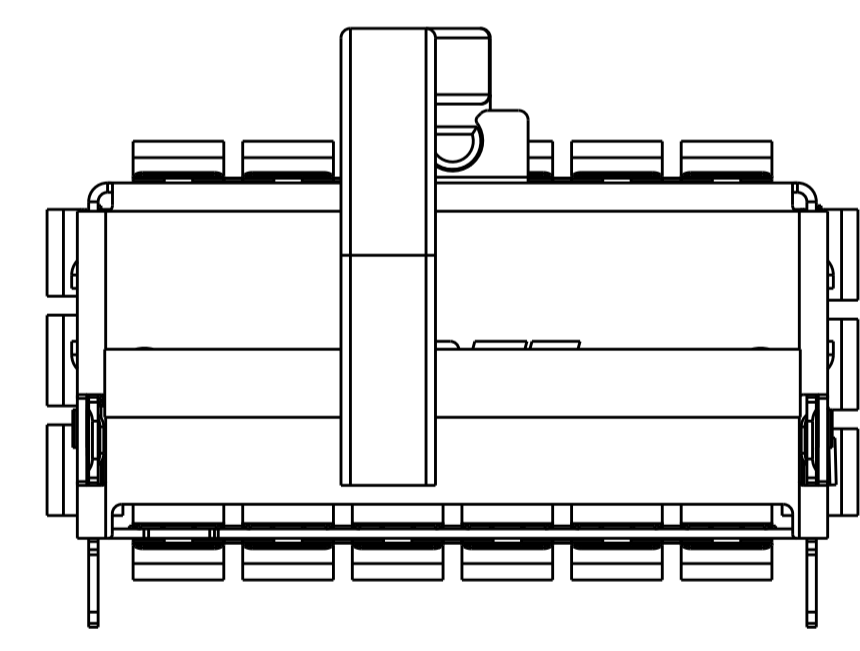
REVISIONS				
P.	LTN	DESCRIPTION	DATE	APVD
-	-	SEE SHEET 1	-	-




2170773-7 AS SHOWN  
SCALE 4:1



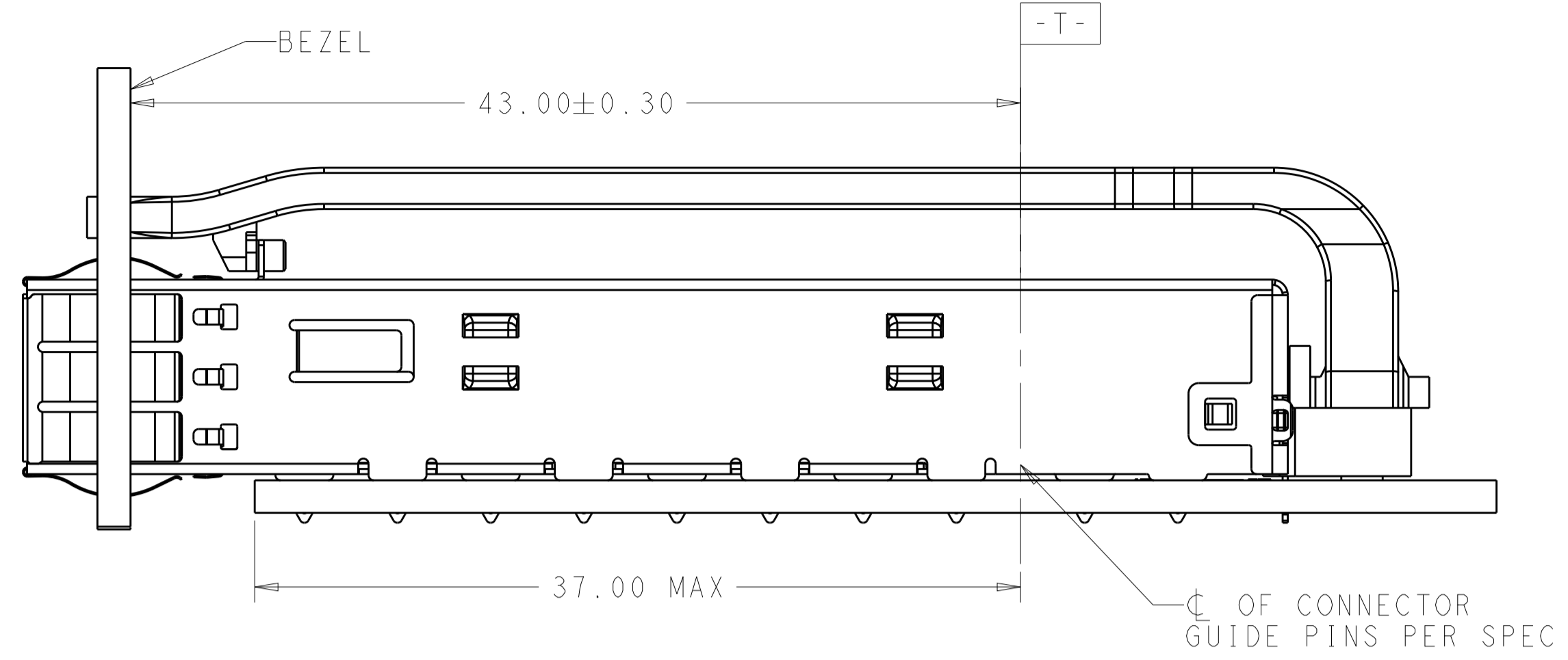
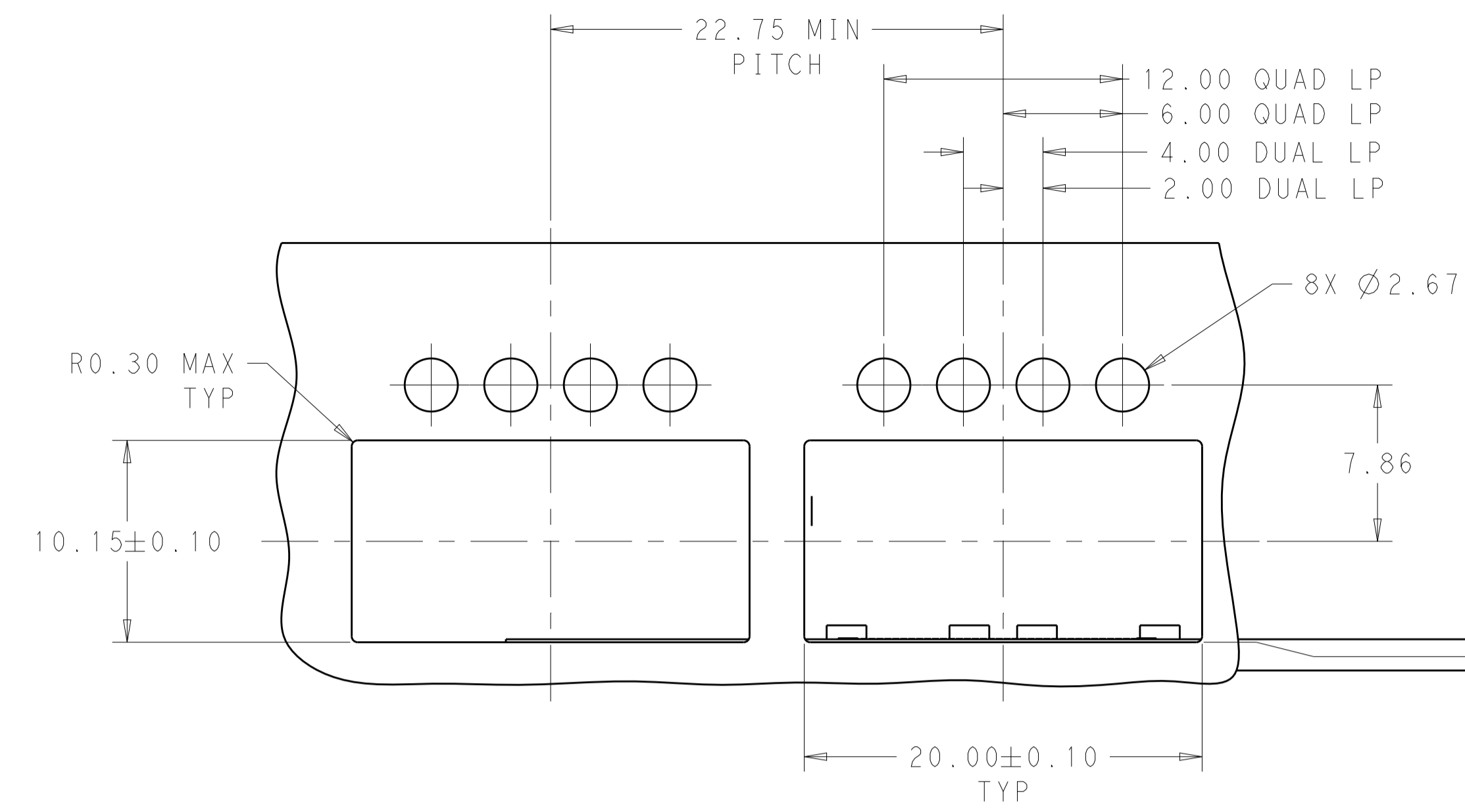
(13.79)



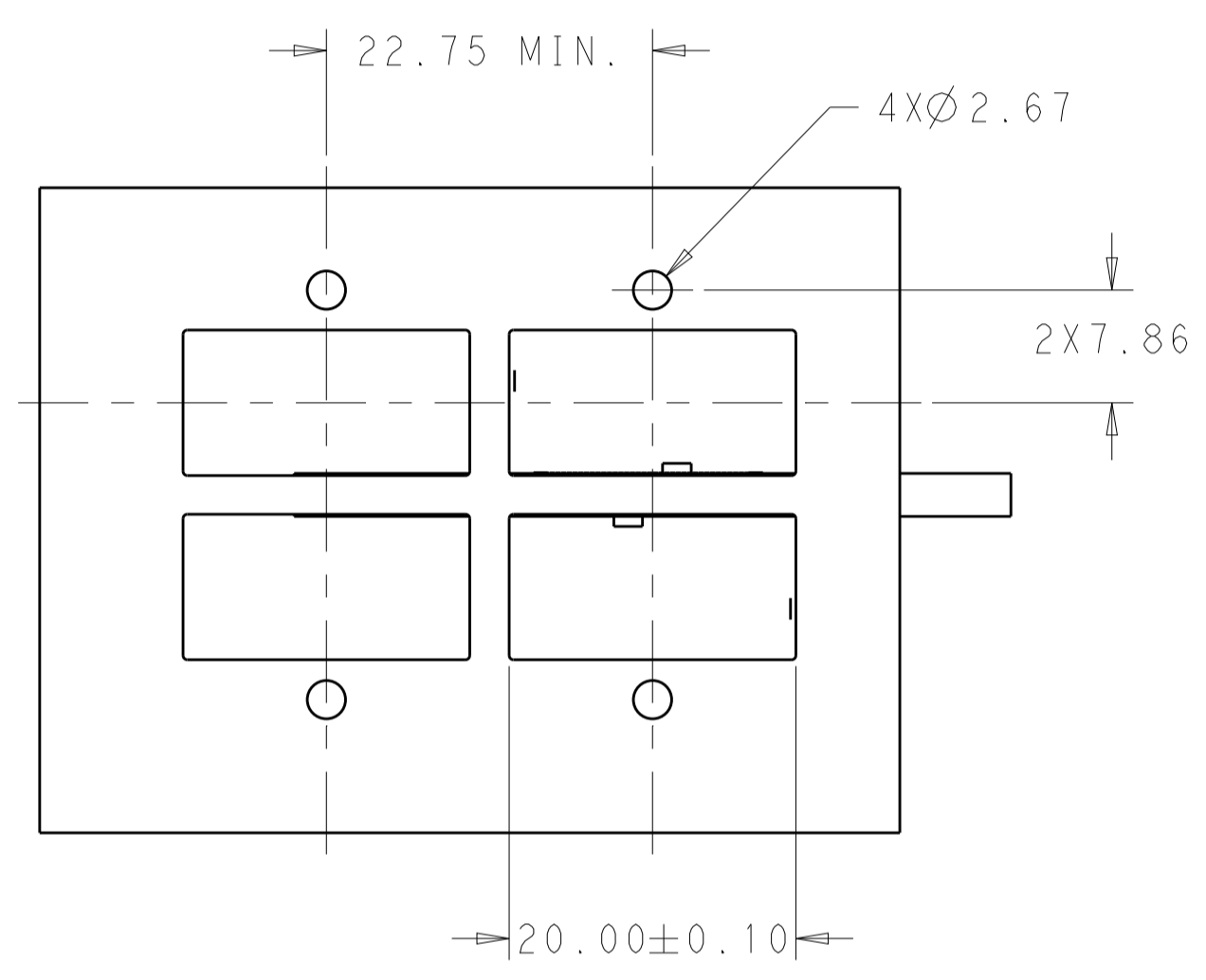
2170773-7 BACK VIEW  
SCALE 5:1

THIS DRAWING IS A CONTROLLED DOCUMENT.		DWN: JASON YANG 23SEP2013	 TE Connectivity
DIMENSIONS:		CHK: SEAN HAN 23SEP2013	
TOLERANCES UNLESS OTHERWISE SPECIFIED:		APVD: 23SEP2013	
mm	0 PLC ±0.25	PRODUCT SPEC	NAME: CAGE ASSEMBLY, OSFP28, THRU BEZEL WITH EMI SPRING FINGER LIGHT PIPE
	1 PLC ±0.25	108-19428	
	2 PLC ±0.20	APPLICATION SPEC	SIZE: A100779
	3 PLC ±0.100	114-32023	CAGE CODE: 2170773
	4 PLC ±	WEIGHT	RESTRICTED TO
	ANGLES ±°	CUSTOMER DRAWING	SCALE: 2:1 SHEET 3 OF 7 REV A
MATERIAL	FINISH		

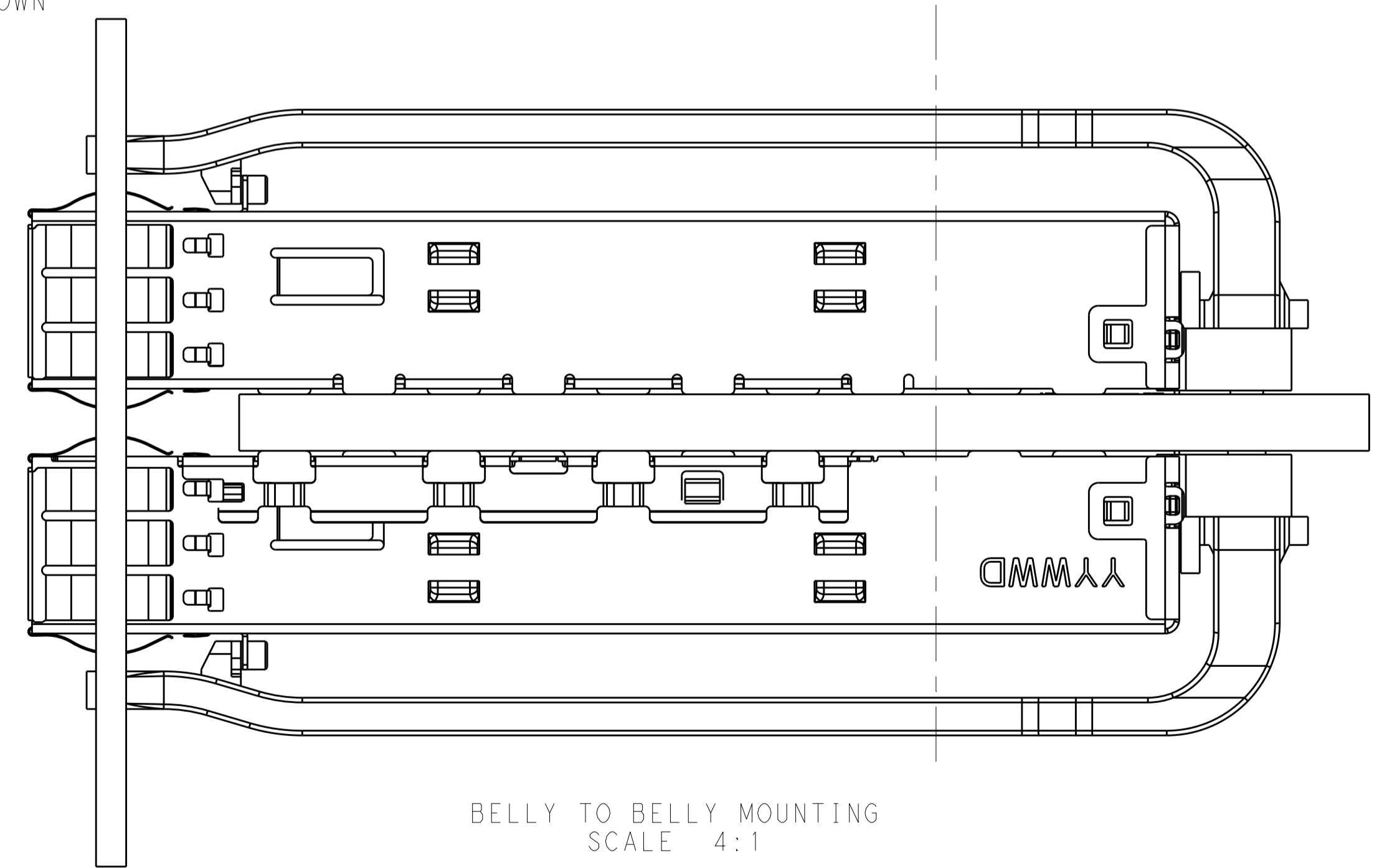
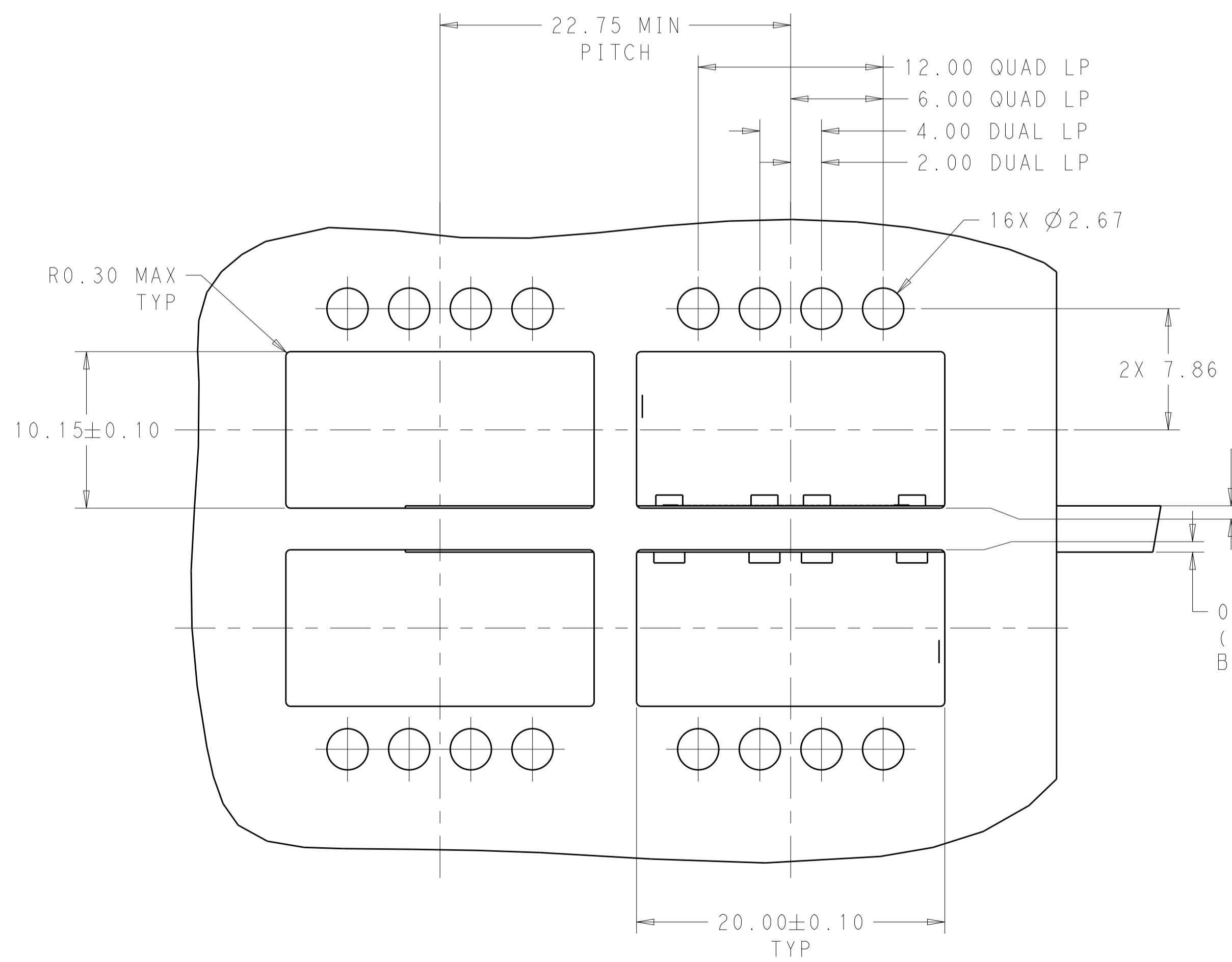
REVISIONS				
P. LTR	DESCRIPTION	DATE	OWN	APVD
-	SEE SHEET 1	-	-	-



SINGLE SIDE MOUNTING  
SCALE 4:1



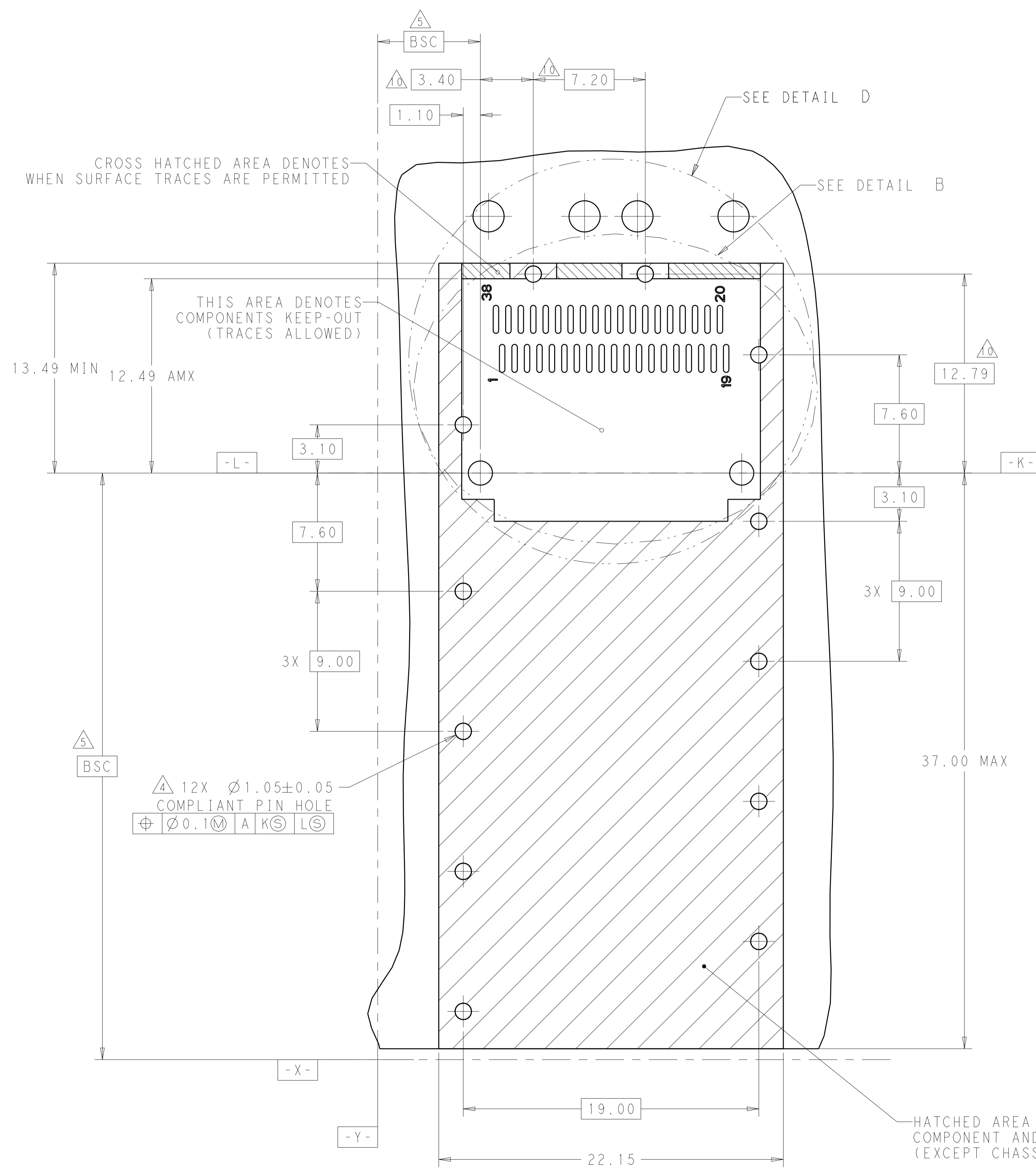
FOR SINGLE LP BELLY TO BELLY APPLICATION  
UNDIMENSIONED SPEC SAME TO DUAL LP SHOWN  
SCALE 2:1



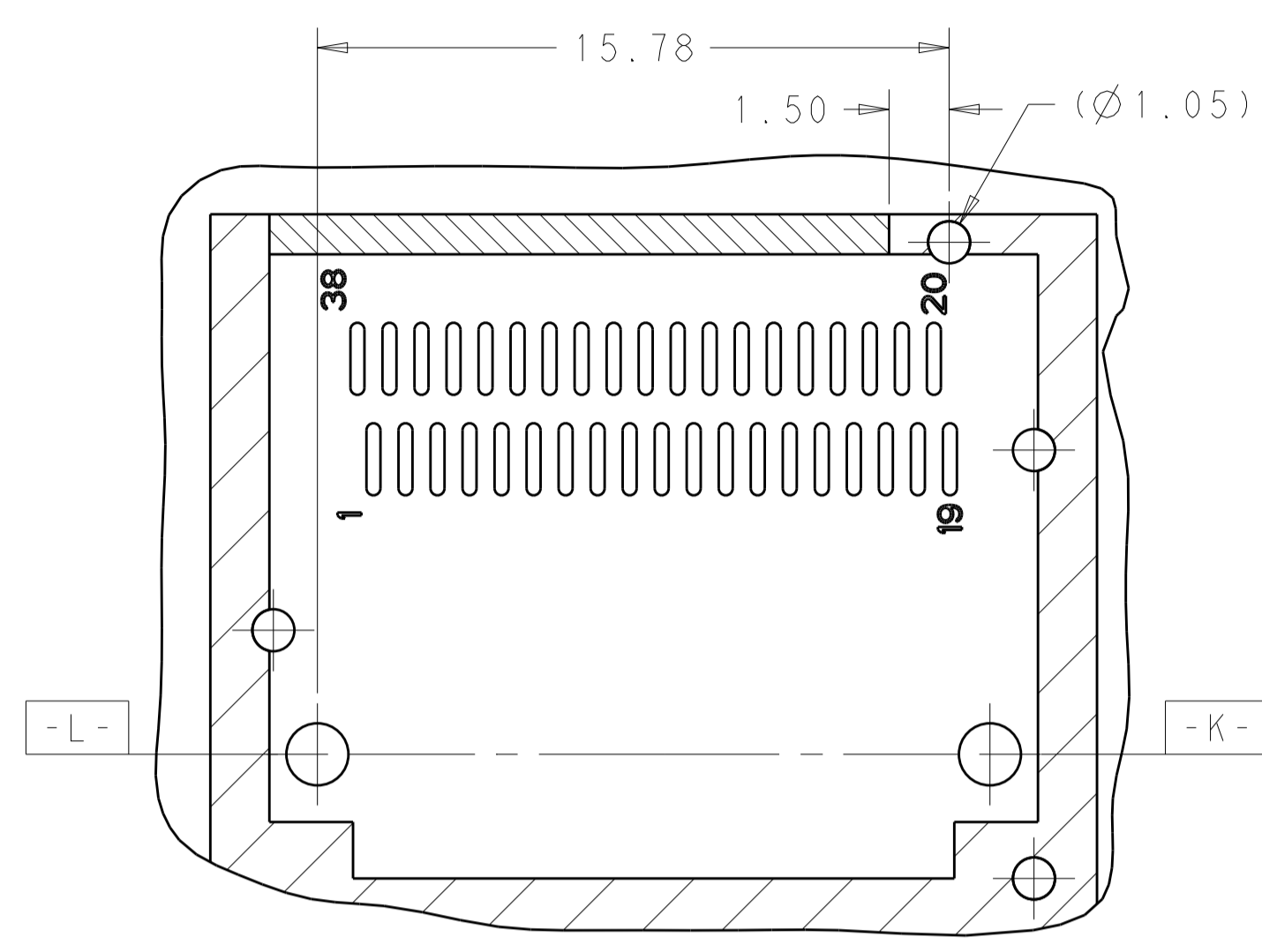
BELLY TO BELLY MOUNTING  
SCALE 4:1

THIS DRAWING IS A CONTROLLED DOCUMENT.		OWN: JASON YANG 23SEP2013	TE Connectivity
DIMENSIONS: mm		CHK: SEAN HAN 23SEP2013	
TOLERANCES UNLESS OTHERWISE SPECIFIED:		APVD: SEAN HAN 23SEP2013	NAME: CAGE ASSEMBLY, OSFP28, THRU BEZEL WITH EMI SPRING FINGER LIGHT PIPE
0 PLC ±0.25	1 PLC ±0.25	2 PLC ±0.25	3 PLC ±0.25
4 PLC ±0.100	ANGLES ±°	FINISH ±	RESTRICTED TO
MATERIAL	FINISH	WEIGHT	SIZE: A100779
CUSTOMER DRAWING		SCALE: 2:1	SHEET 4 OF 7 REV A

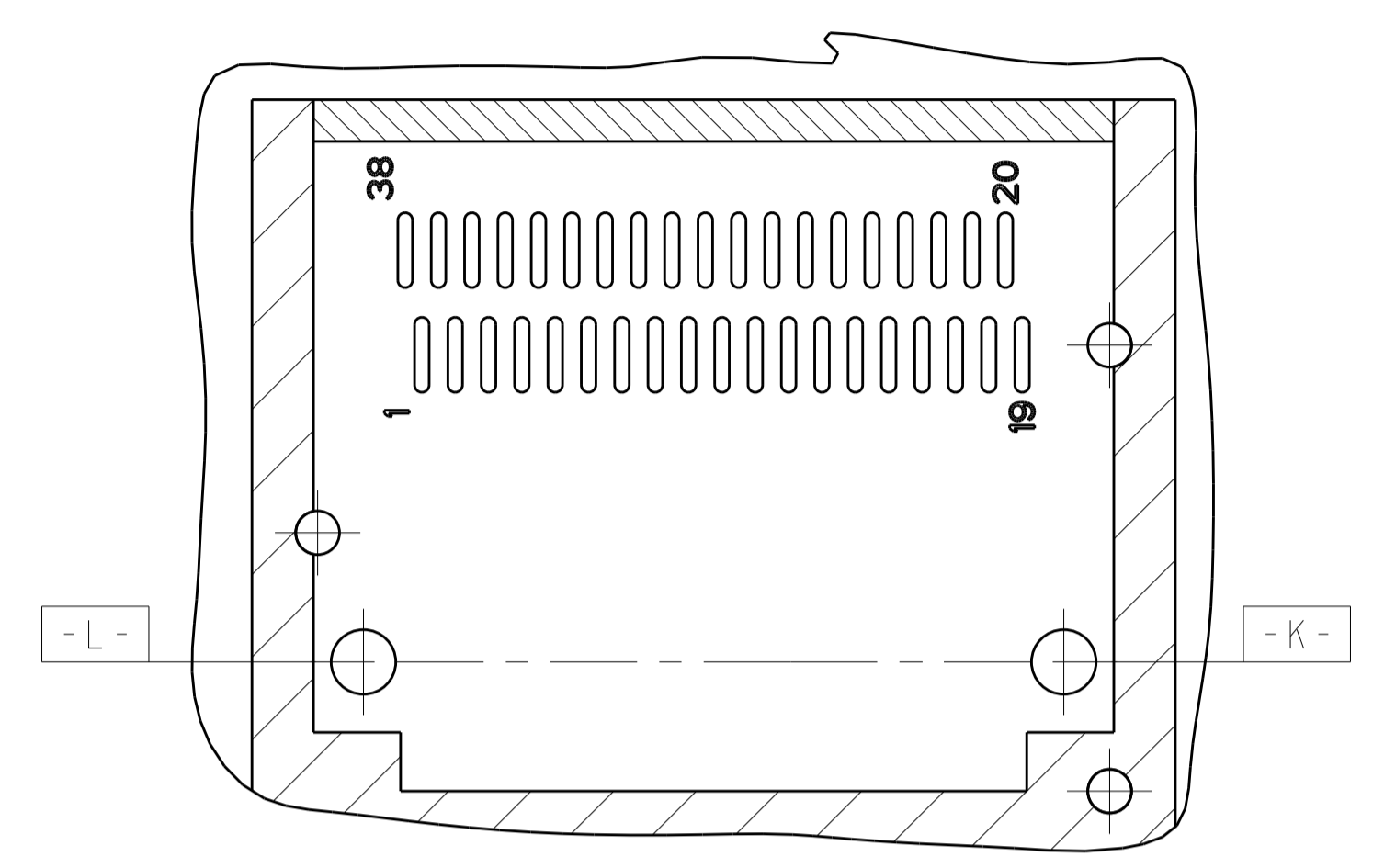
REVISIONS				
P.	LTN	DESCRIPTION	DATE	APVD
-	SEE SHEET 1			



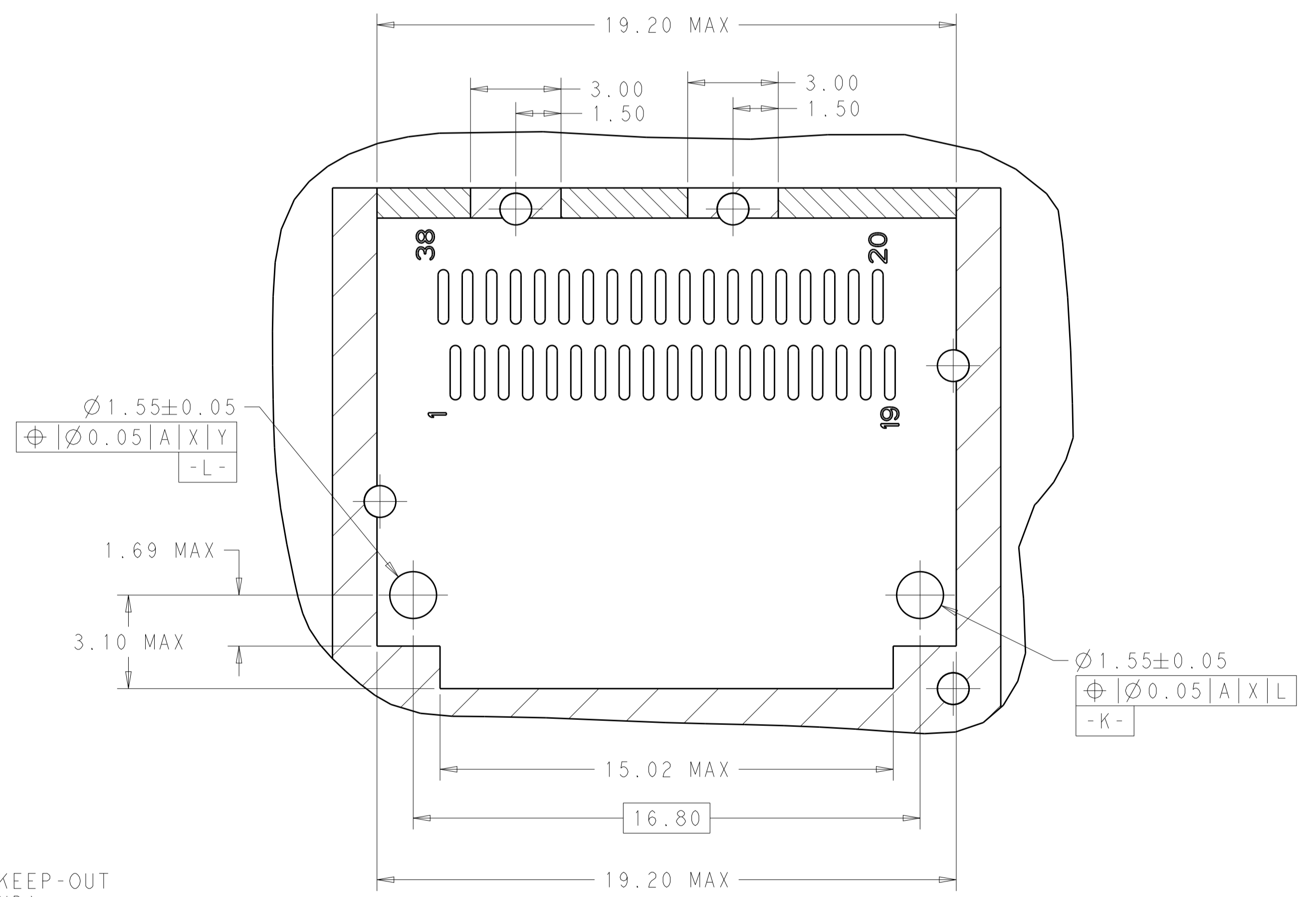
RECOMMENDED PCB LAYOUT  
 SINGLE TYPE OF 2 REAR HOLES OF LEGS  
 PCB TOLERANCE: ±0.05  
 SCALE 6:1



RECOMMENDED PCB LAYOUT  
 SINGLE TYPE OF 1 REAR HOLES OF LEGS  
 PCB TOLERANCE: ±0.05  
 SCALE 6:1



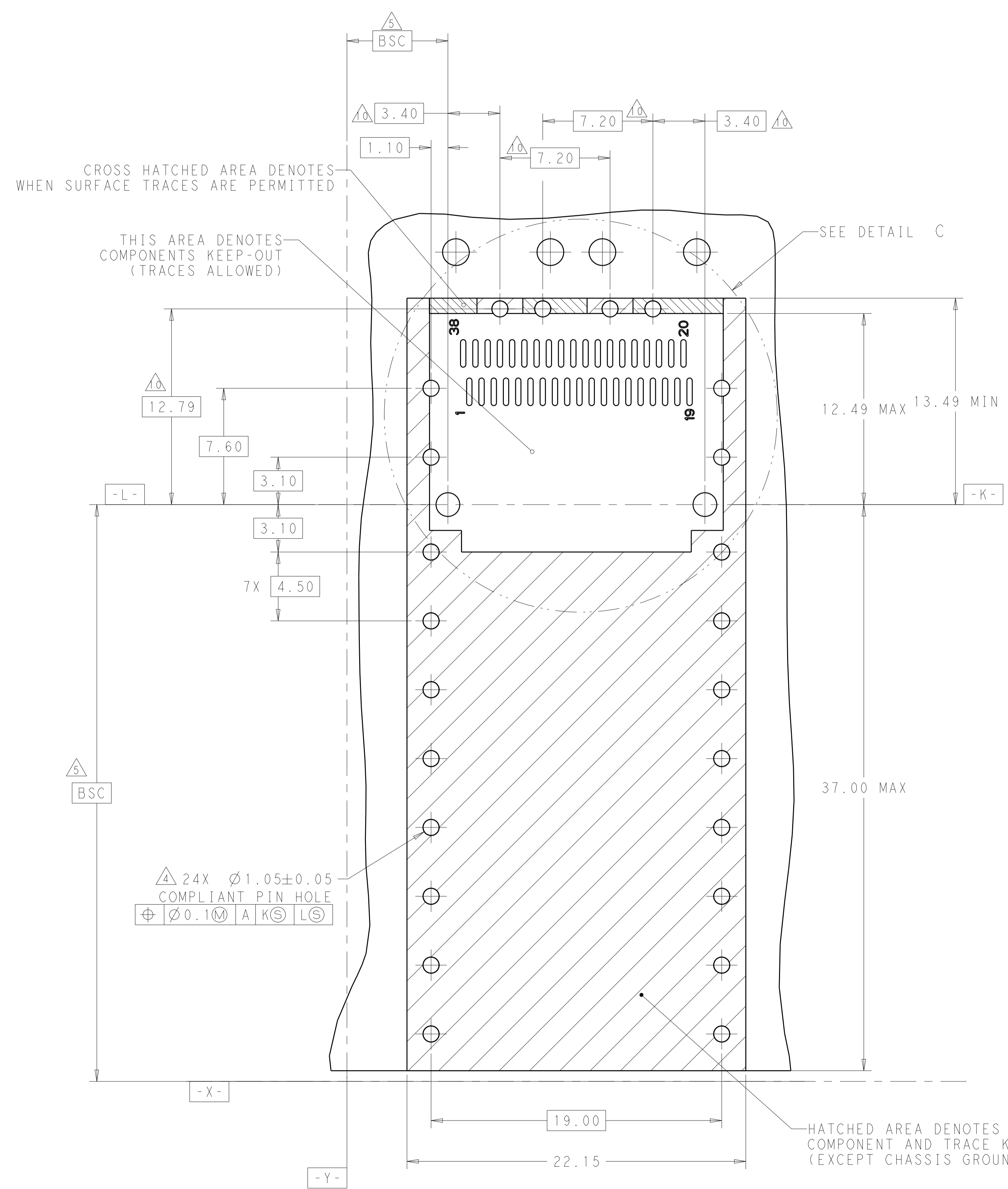
RECOMMENDED PCB LAYOUT  
 SINGLE TYPE OF 0 REAR HOLES OF LEGS  
 PCB TOLERANCE: ±0.05  
 SCALE 6:1



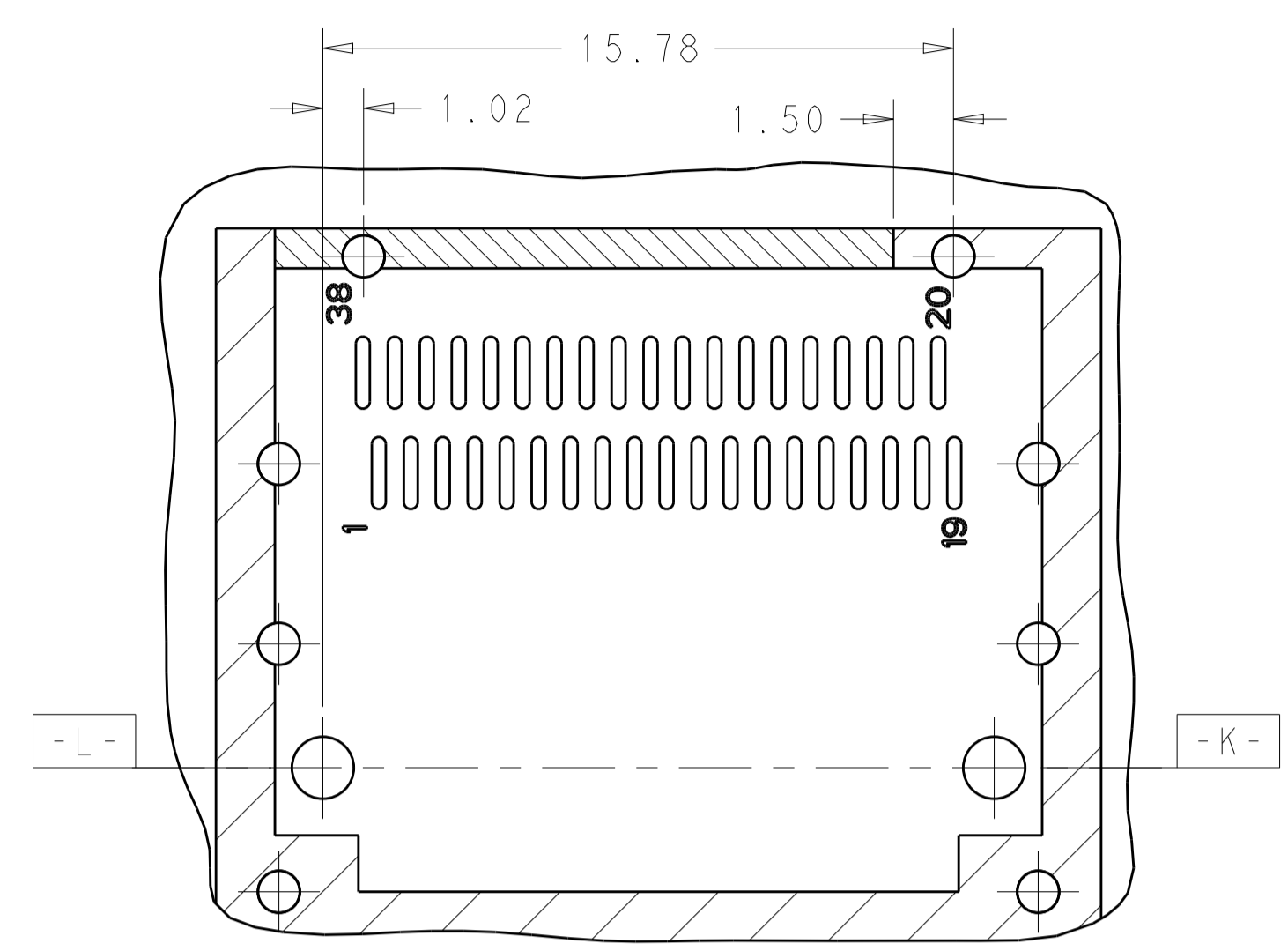
DETAIL B  
 SCALE 8:1

THIS DRAWING IS A CONTROLLED DOCUMENT.		DWN: JASON YANG 23SEP2013 CHN: SEAN HAN 23SEP2013 APVD: 23SEP2013	TE Connectivity
DIMENSIONS: mm 	TOLERANCES UNLESS OTHERWISE SPECIFIED: 0 PLC ±0.25 1 PLC ±0.25 2 PLC ±0.25 3 PLC ±0.25 4 PLC ±0.100 ANGLES ±°	PRODUCT SPEC: 108-19428 APPLICATION SPEC: 114-32023 WEIGHT: - CUSTOMER DRAWING	

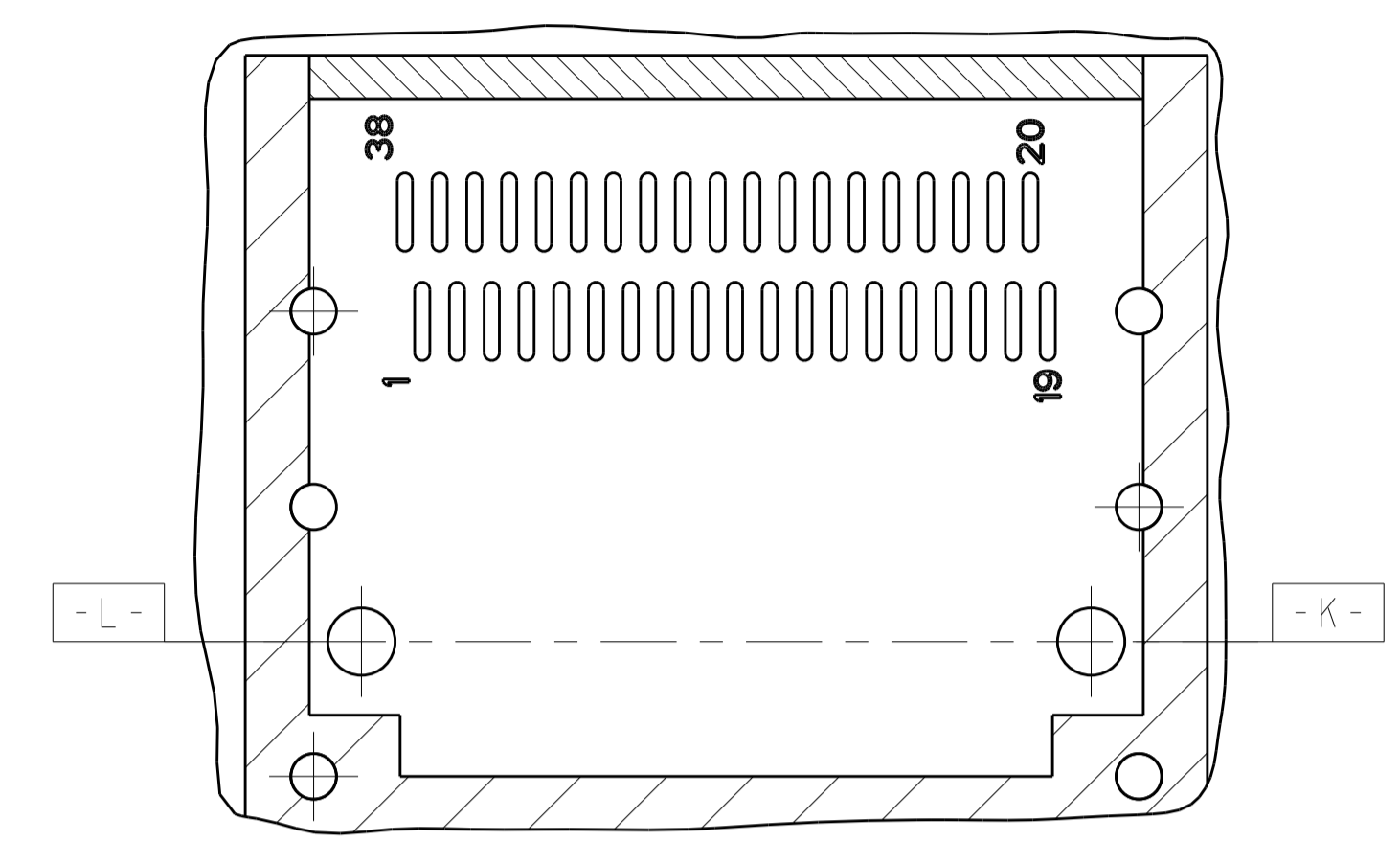
REVISIONS				
P.	LTM	DESCRIPTION	DATE	APVD
-	-	SEE SHEET 1	-	-



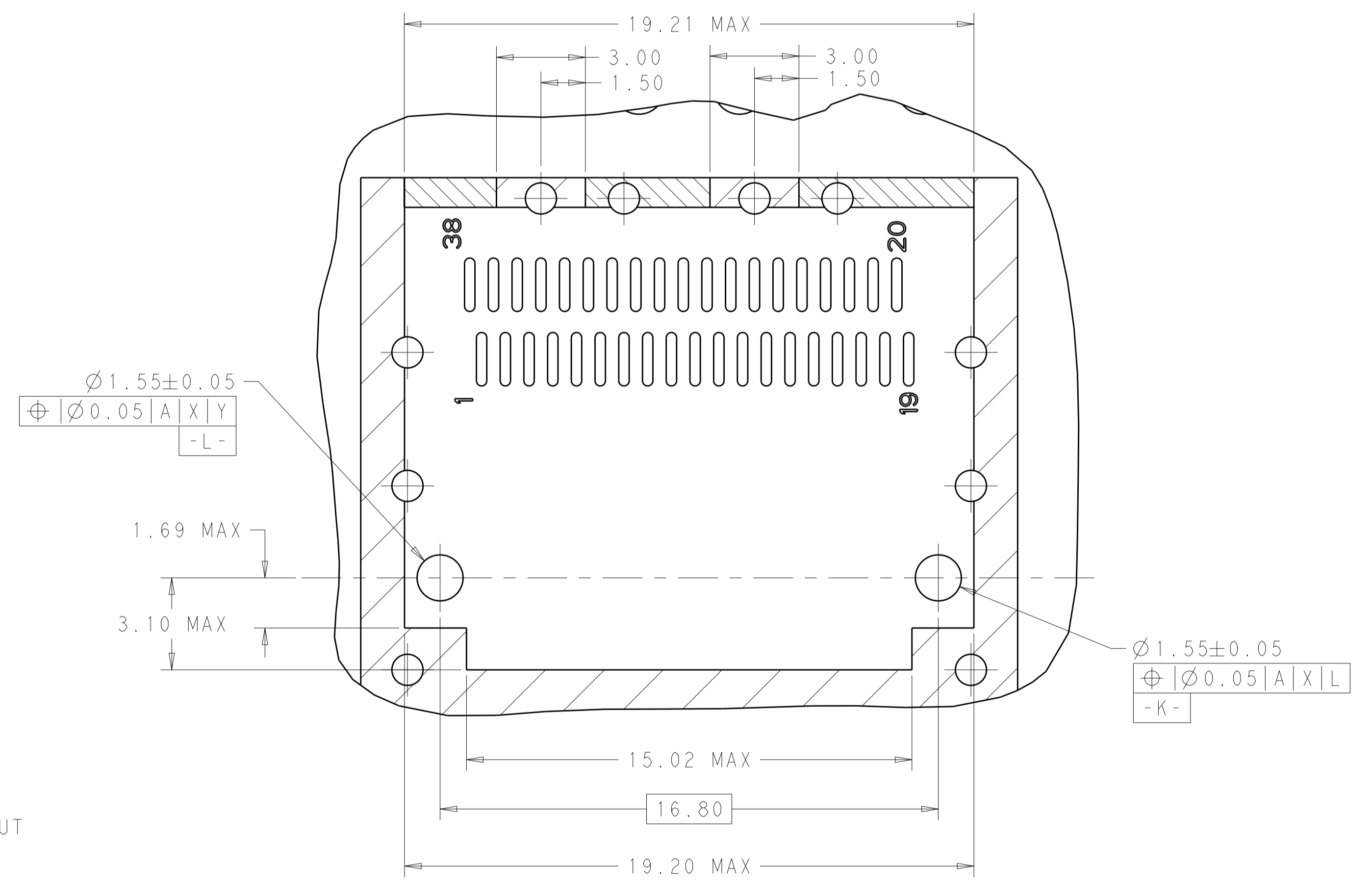
RECOMMENDED PCB LAYOUT  
BELLY TO BELLY TYPE OF 2 REAR HOLES OF LEGS  
PCB TOLERANCE: ±0.05  
SCALE 6:1



RECOMMENDED PCB LAYOUT  
BELLY TO BELLY TYPE OF 1 REAR HOLES OF LEGS  
PCB TOLERANCE: ±0.05  
SCALE 6:1



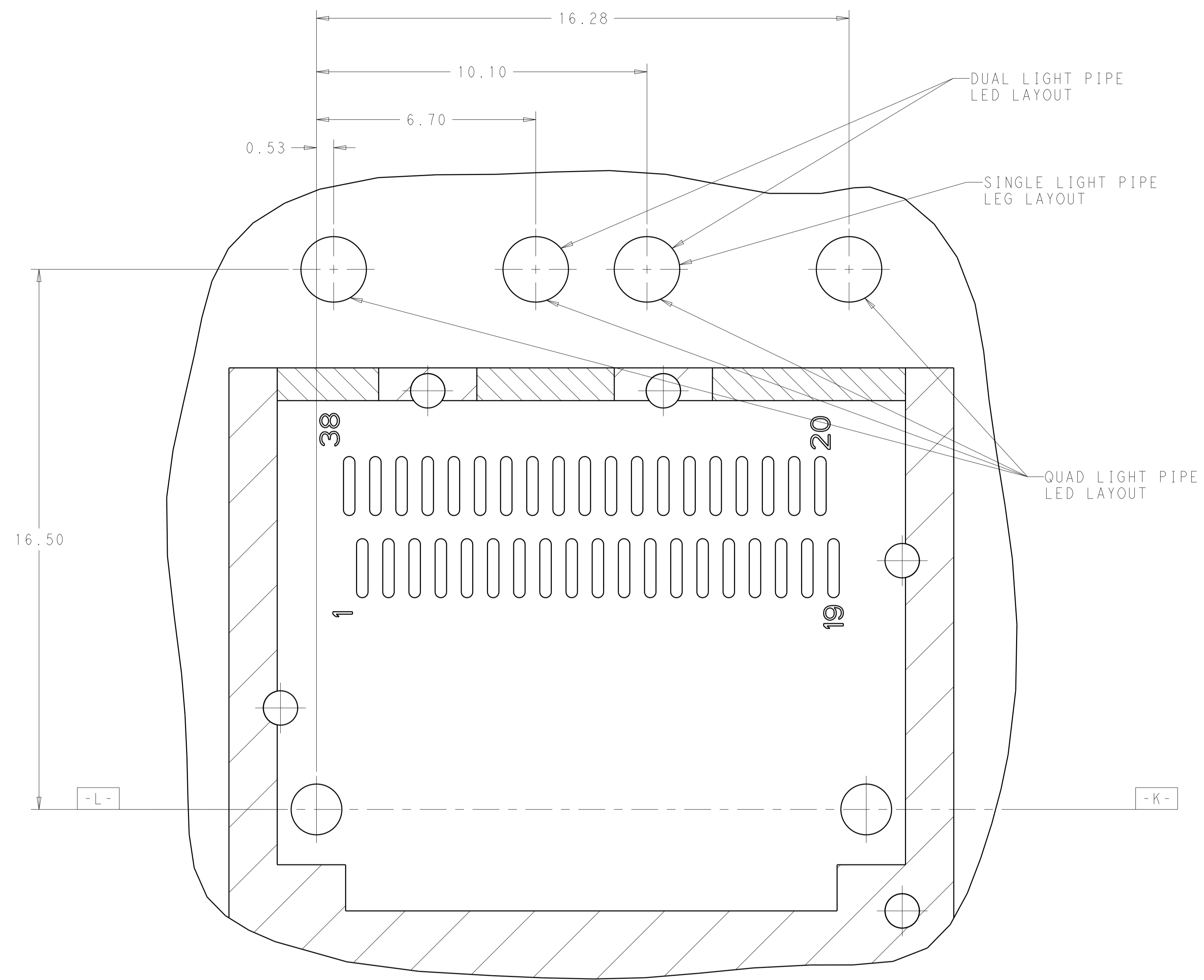
RECOMMENDED PCB LAYOUT  
BELLY TO BELLY TYPE OF 0 REAR HOLES OF LEGS  
PCB TOLERANCE: ±0.05  
SCALE 6:1



DETAIL C  
SCALE 8:1

THIS DRAWING IS A CONTROLLED DOCUMENT.		DWN: JASON YANG 23SEP2013 CHG: SEAN HAN 23SEP2013 APVD: 23SEP2013	TE Connectivity
DIMENSIONS: mm 	TOLERANCES UNLESS OTHERWISE SPECIFIED: 0 PLC ±0.25 1 PLC ±0.25 2 PLC ±0.25 3 PLC ±0.25 4 PLC ±0.100 ANGLES ±°	NAME: CAGE ASSEMBLY, QSPF28, THRU BEZEL WITH EMI SPRING FINGER LIGHT PIPE PRODUCT SPEC: 108-19428 APPLICATION SPEC: 114-32023 WEIGHT: - CUSTOMER DRAWING	

REVISIONS				
P.	LTN	DESCRIPTION	DATE	APVD
-	-	SEE SHEET 1	-	-



DETAIL D  
 SCALE 12:1

THIS DRAWING IS A CONTROLLED DOCUMENT.		DWN: JASON YANG 23SEP2013	TE Connectivity
		CHK: SEAN HAN 23SEP2013	
DIMENSIONS:		APVD: SEAN HAN 23SEP2013	NAME: CAGE ASSEMBLY, OSFP28, THRU BEZEL WITH EMI SPRING FINGER LIGHT PIPE PRODUCT SPEC: 108-19428 APPLICATION SPEC: 114-32023
mm 		TOLERANCES UNLESS OTHERWISE SPECIFIED: 0 PLC ±0.25 1 PLC ±0.25 2 PLC ±0.25 3 PLC ±0.100 4 PLC ± ANGLES ±°	
MATERIAL:	FINISH:	WEIGHT:	RESTRICTED TO:
-	-	-	A100779C=2170773
CUSTOMER DRAWING		SCALE: 2:1	SHEET 7 OF 7 REV A