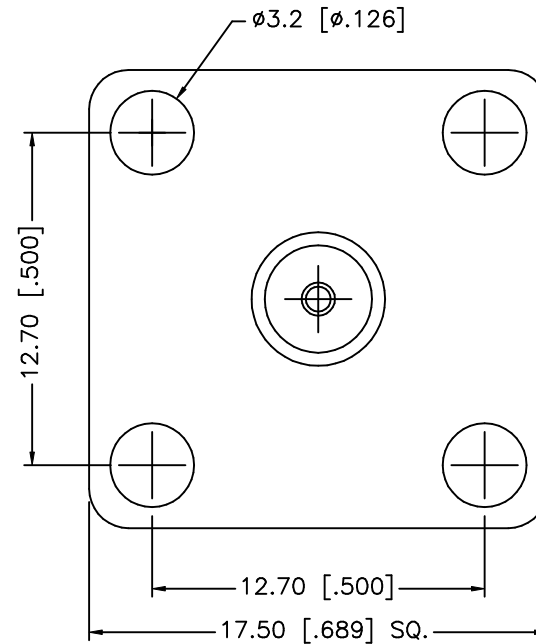
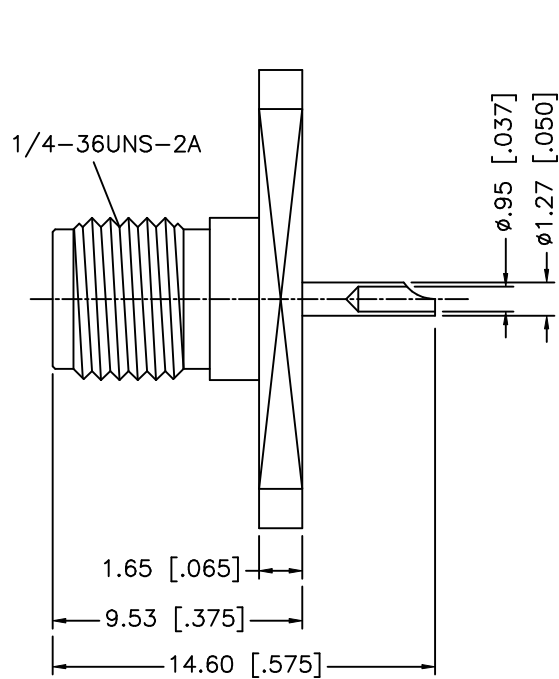


| REV. | DATE | DESCRIPTION |
|------|----------|-----------------------|
| NC | 12/23/97 | INITIAL RELEASE |
| A | 02/21/07 | UPDATE DRAWING FORMAT |



| | | | | |
|---|---------------|-------------|---------|-----|
| 8 | | | | |
| 7 | | | | |
| 6 | | | | |
| 5 | | | | |
| 4 | CONTACT PIN | BER. COPPER | GOLD | 1 |
| 3 | INSULATOR (B) | TEFLON | NATURAL | 1 |
| 2 | INSULATOR (A) | TEFLON | NATURAL | 1 |
| 1 | BODY | BRASS | GOLD | 1 |
| | DESCRIPTION | MATERIAL | FINISH | QTY |

UNLESS OTHERWISE SPECIFIED DIMENSIONS ARE IN MILLIMETERS. DIMENSIONS IN [] ARE IN INCHES AND FOR CUSTOMER REFERENCE ONLY.

UNLESS OTHERWISE SPECIFIED TOLERANCES FOR MILLIMETERS ARE:
0.5 - 8mm \pm 0.20mm
8 - 30mm \pm 0.40mm
30 - 120mm \pm 0.50mm

UNLESS OTHERWISE SPECIFIED TOLERANCES FOR INCHES ARE:
.020 - .315 = \pm 0.007"
.315 - 1.180 = \pm 0.015"
1.180 - 4.724 = \pm 0.020"

DO NOT SCALE DRAWING

| APPROVALS | DATE |
|--------------|-------------------|
| DRAWN G.R.S. | 02/21/07 |
| CHECKED | |
| ISSUED | |
| SHEET 1 OF 1 | |
| CAD FILE | C:/132/132215.DWG |

Amphenol Connex

PART DESCRIPTION

SMA FOUR (4) HOLE PANEL RECEPTACLE JACK
(.500" SQ. MOUNT HOLES)

PART NO.

132215

DWG. NO.

132215.DWG

REV. A

SIZE A

SCALE NA