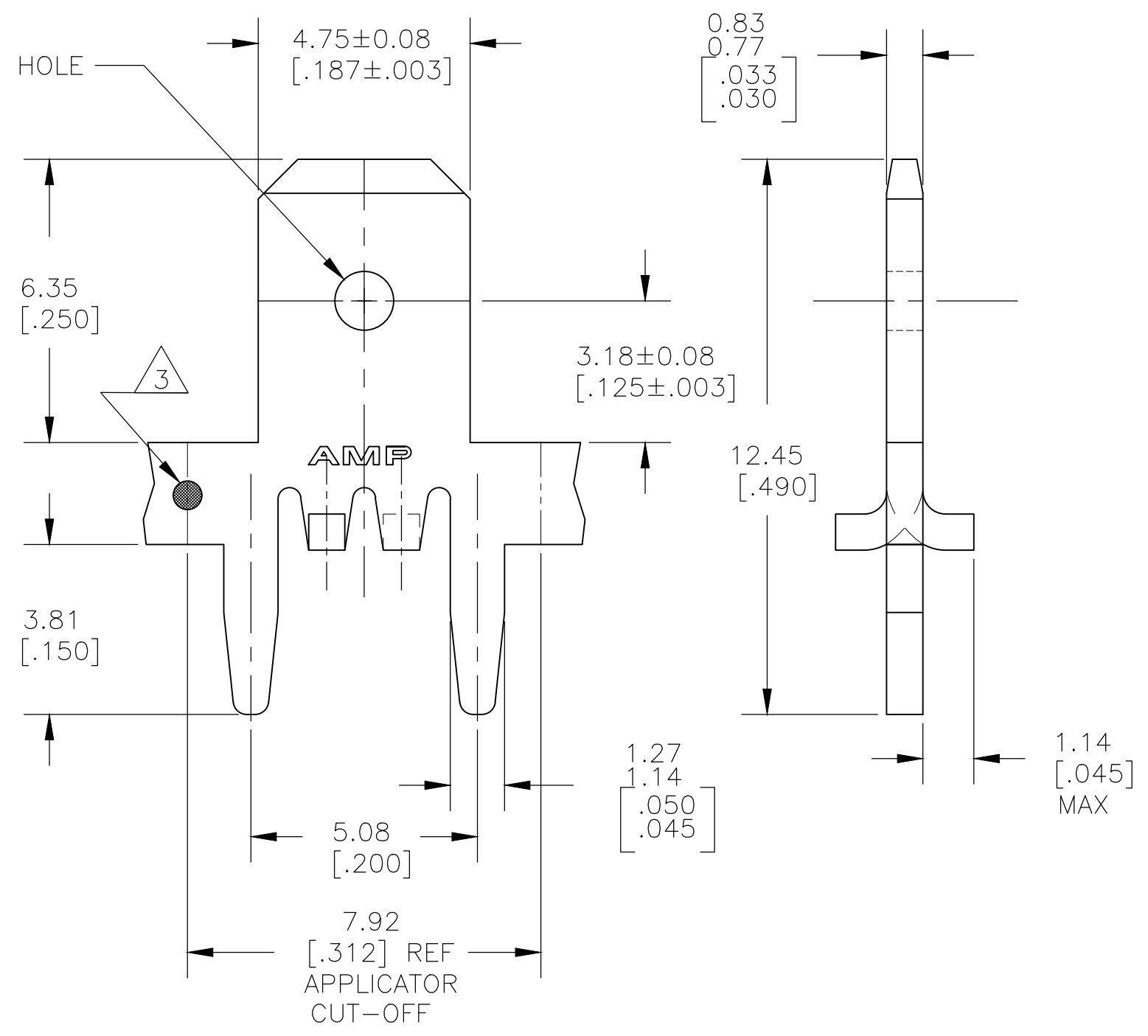
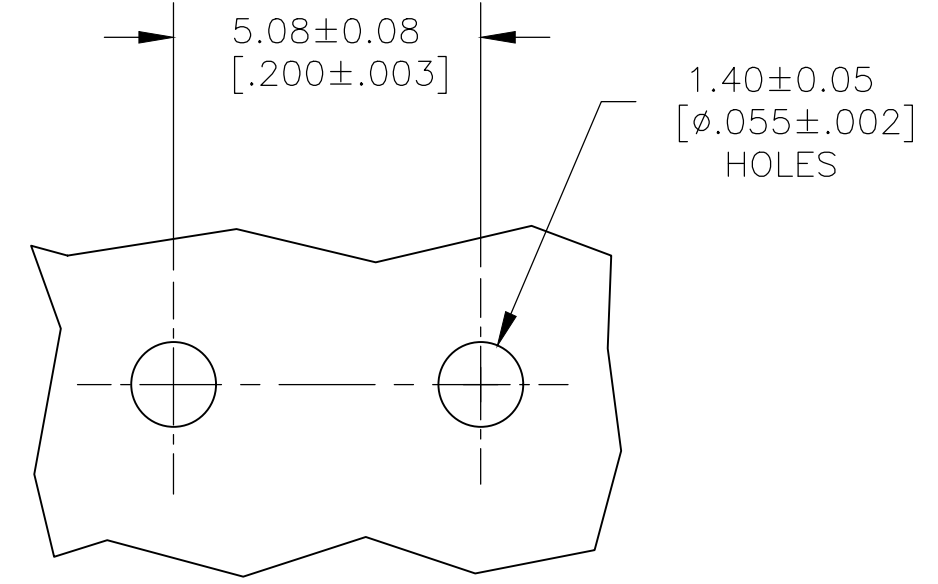


| REVISIONS | | | | | |
|-----------|-----|---------------------------|-----------|-----|------|
| P | LTR | DESCRIPTION | DATE | DWN | APVD |
| | H2 | REVISED PER ECR-20-004554 | 27MAR2020 | BH | E.W |



- 1 CONTINUOUS STRIP ON REELS.
- △2 TIN PLATE 0.00381 [.000150] MIN OVER 0.00254 [.000100] MIN THK COPPER OR TIN PLATE 0.00381 [.000150] MIN OVER 0.00127 [.000050] MIN THK NICKEL.
- △3 OPTIONAL ID MARK, LOCATED APPROX AS SHOWN.
- △4 BRASS
- △5 BRASS, SPECIAL HARD



P.C. BOARD HOLE PATTERN

| | | |
|-------------|----------|-----------|
| | △5 | 1217133-3 |
| 1217133-4 | △4 | 1217133-1 |
| LOOSE PIECE | MATERIAL | PART NO. |

| | | | | | | | | | |
|--|--|------------------|-----------|---------|----------------------------|-----|--|---|--------|
| THIS DRAWING IS A CONTROLLED DOCUMENT. | | DWN | JR RUTH | 28MAR01 | STE TE Connectivity | | | | |
| DIMENSIONS: INCHES | | CHK | MS FEHER | 28MAR01 | | | | NAME TAB, FASTON, P.C.BOARD 4.75 [.187] | |
| TOLERANCES UNLESS OTHERWISE SPECIFIED: | | APVD | N DEIBERT | 28MAR01 | SIZE A3 | | | | |
| 0 PLC ± - | | PRODUCT SPEC | - | | | | | CAGE CODE | 00779 |
| 1 PLC ± - | | APPLICATION SPEC | 114-2115 | | RESTRICTED TO | - | | | |
| 2 PLC ± 0.25 [.010] | | WEIGHT | 0.000000 | | SCALE | 8:1 | | SHEET | 1 OF 1 |
| 3 PLC ± - | | CUSTOMER DRAWING | | | REV | H2 | | | |
| 4 PLC ± - | | | | | | | | | |
| ANGLES ± - | | | | | | | | | |
| FINISH | | △2 | | | | | | | |
| MATERIAL SEE TABLE | | | | | | | | | |