

VS-BU/PN-IP20-93B-LI/2,0 - Network cable



1416173

<https://www.phoenixcontact.com/us/products/1416173>

Please be informed that the data shown in this PDF document is generated from our online catalog. Please find the complete data in the user documentation. Our general terms of use for downloads are valid.



Assembled PROFINET cable, CAT5e, shielded, star quad, AWG 22 stranded (7-wire), RAL 6018 (yellow-green), RJ45 socket module/IP20 for Freenet system, 4-pos. on RJ45 plug/IP20, line, length: 2 m

Commercial data

Item number	1416173
Packing unit	1 pc
Minimum order quantity	1 pc
Note	Made to order (non-returnable)
Sales key	AB11
Product key	ABNABA
Catalog page	Page 306 (PC-2011)
GTIN	4046356474283
Weight per piece (including packing)	171.5 g
Weight per piece (excluding packing)	160.2 g
Customs tariff number	85444210
Country of origin	PL

1416173

<https://www.phoenixcontact.com/us/products/1416173>

Technical data

Product properties

Product type	Data cable preassembled
Sensor type	PROFINET
Number of positions	4
No. of cable outlets	1
Shielded	yes
Cable outlet	straight

Insulation characteristics

Degree of pollution	1
---------------------	---

Electrical properties

Rated voltage (III/3)	50 V
Rated current	1.75 A
Transmission medium	Copper
Transmission characteristics (category)	CAT5 (IEC 11801:2002)
Transmission speed	100 Mbps
Wave impedance	100 Ω

Mechanical properties

Mechanical data

Insertion/withdrawal cycles	≥ 1000
Insertion force per signal contact	50.00 N
Extraction force per signal contact	30 N

Material specifications

Flammability rating according to UL 94	V0
Outer sheath, material	PVC
Conductor material	Tin-plated Cu litz wires

Connection data

Connection technology

Connection method	IDC fast connection
-------------------	---------------------

Conductor connection

Connection method	IDC fast connection
-------------------	---------------------

Connector

Connection 1

Type	Socket module straight RJ45
Shielded	yes

VS-BU/PN-IP20-93B-LI/2,0 - Network cable



1416173

<https://www.phoenixcontact.com/us/products/1416173>

Degree of protection	IP20
Number of positions	4
Locking type	Freenet


Connection 2

Type	Plug straight RJ45
Material	Plastic
Number of positions	4
Degree of protection	IP20

Cable/line

Cable length	2.00 m
--------------	--------

PROFINET PVC stranded CAT5 [93B]

Dimensional drawing	
Shielded	yes
UL AWM Style	21694
Cable weight	67 kg/km
Cable type	PROFINET PVC stranded CAT5
Short symbol	2YY(ST)CY
Cable type (abbreviation)	93B
Signal type/category	PROFINET CAT5 (IEC 11801), 100 Mbps EtherCAT® CAT5 (IEC 11801), 100 Mbps
Cable structure	1x4xAWG22/7, SF/TQ
External cable diameter	6.5 mm ±0.2 mm
Outer sheath, material	PVC
External sheath, color	green RAL 6018
Thickness, outer sheath	approx. 0.9 mm
Material, inner sheath	PVC
Conductor material	Tin-plated Cu litz wires
Conductor structure signal line	7x 0.25 mm
AWG signal line	22
Conductor cross section	4x 0.34 mm ²
Material wire insulation	PE
Wire diameter incl. insulation	1.55 mm
Single wire, color	white, yellow, blue, orange
Overall twist	Star quad
Shielding	Aluminum-coated foil, tinned copper braided shield

VS-BU/PN-IP20-93B-LI/2,0 - Network cable



1416173

<https://www.phoenixcontact.com/us/products/1416173>

Optical shield covering	85 %
Nominal voltage, cable	600 V
Test voltage Core/Core	2000 V (50 Hz, 1 min.)
Test voltage Core/Shield	2000 V (50 Hz, 1 min.)
Cable insulation resistance	≥ 500 MΩ*km
Coupling resistance	≤ 20.00 mΩ/m (at 10 MHz)
Wave impedance	100 Ω ±15 Ω (at 100 MHz)
Loop resistance	≤ 120.00 Ω/km
Signal runtime	5.3 ns/m
Signal speed	0.66 c
Minimum bending radius, fixed installation	3 x D
Minimum bending radius, flexible installation	7 x D
Damping	2.1 dB (with 1 MHz)
	4 dB (at 4 MHz)
	6.3 dB (at 10 MHz)
	8 dB (at 16 MHz)
	9 dB (at 20 MHz)
	11.4 dB (at 31.25 MHz)
	16.5 dB (at 62.5 MHz)
	21.3 dB (at 100 MHz)
Near end crosstalk attenuation (NEXT)	80 dB (with 1 MHz)
	76 dB (at 4 MHz)
	70 dB (at 10 MHz)
	65 dB (at 16 MHz)
	63 dB (at 20 MHz)
	60 dB (at 31.25 MHz)
	55 dB (at 62.5 MHz)
	50 dB (at 100 MHz)
Resistance to oil	Resistant to oil to a limited extent
Flame resistance	according to UL 1685 (CSA FT 4)
Other resistance	UV resistant According to UL 1581, Section 1200
Ambient temperature (operation)	-40 °C ... 70 °C (Cable, flexible installation)
	-40 °C ... 70 °C (cable, fixed installation)

Environmental and real-life conditions

Ambient conditions

Degree of protection	IP20
	IP20

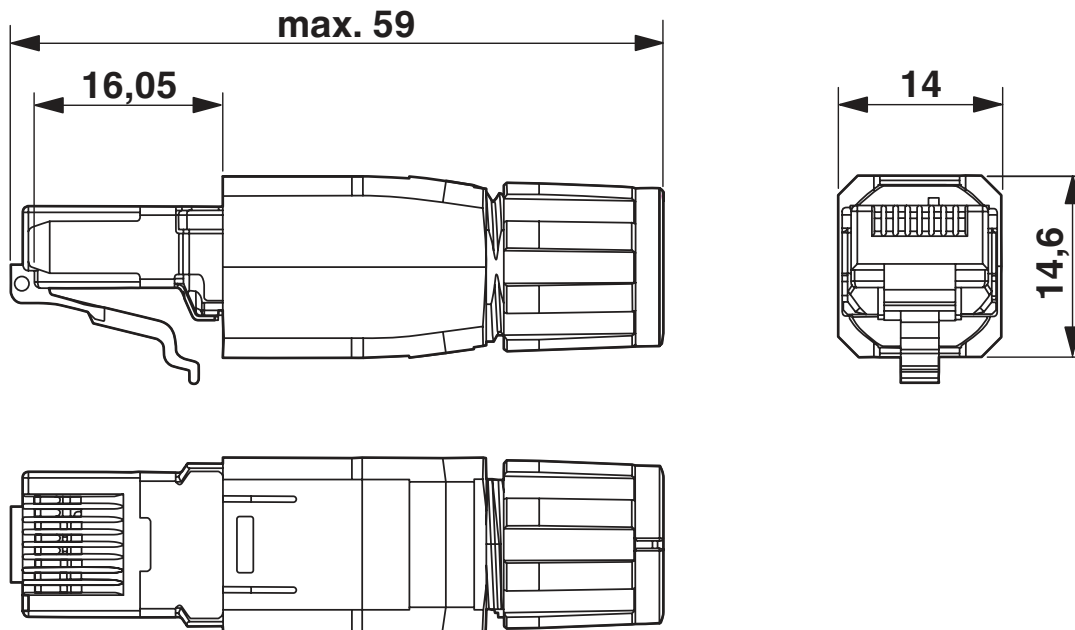
VS-BU/PN-IP20-93B-LI/2,0 - Network cable

1416173

<https://www.phoenixcontact.com/us/products/1416173>

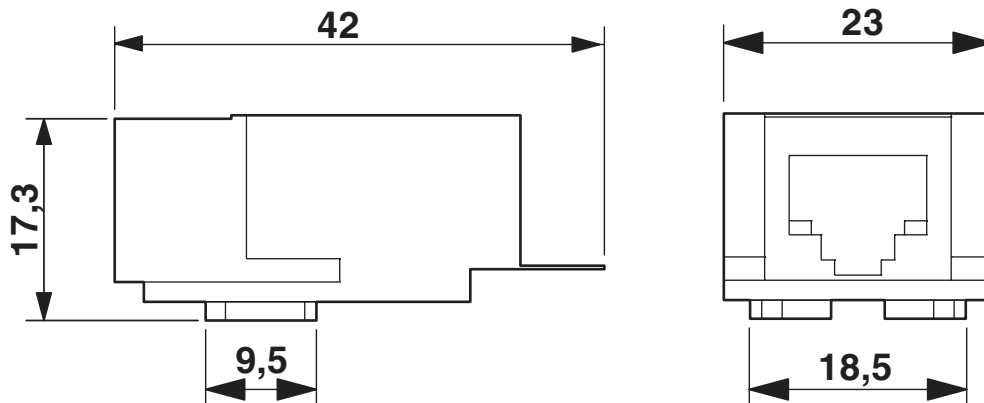
Drawings

Dimensional drawing



RJ45 connector, IP20

Dimensional drawing



RJ45 socket insert

VS-BU/PN-IP20-93B-LI/2,0 - Network cable



1416173

<https://www.phoenixcontact.com/us/products/1416173>

Approvals

To download certificates, visit the product detail page: <https://www.phoenixcontact.com/us/products/1416173>



EAC

Approval ID: 19060508

VS-BU/PN-IP20-93B-LI/2,0 - Network cable



1416173

<https://www.phoenixcontact.com/us/products/1416173>

Classifications

ECLASS

ECLASS-11.0	27060307
ECLASS-12.0	27060307
ECLASS-13.0	27060307

ETIM

ETIM 8.0	EC001855
----------	----------

UNSPSC

UNSPSC 21.0	26121600
-------------	----------

VS-BU/PN-IP20-93B-LI/2,0 - Network cable



1416173

<https://www.phoenixcontact.com/us/products/1416173>

Environmental product compliance

China RoHS	Environmentally friendly use period: unlimited = EFUP-e
	No hazardous substances above threshold values

Phoenix Contact 2023 © - all rights reserved
<https://www.phoenixcontact.com>

Phoenix Contact USA
586 Fulling Mill Road
Middletown, PA 17057, United States
(+717) 944-1300
info@phoenixcon.com