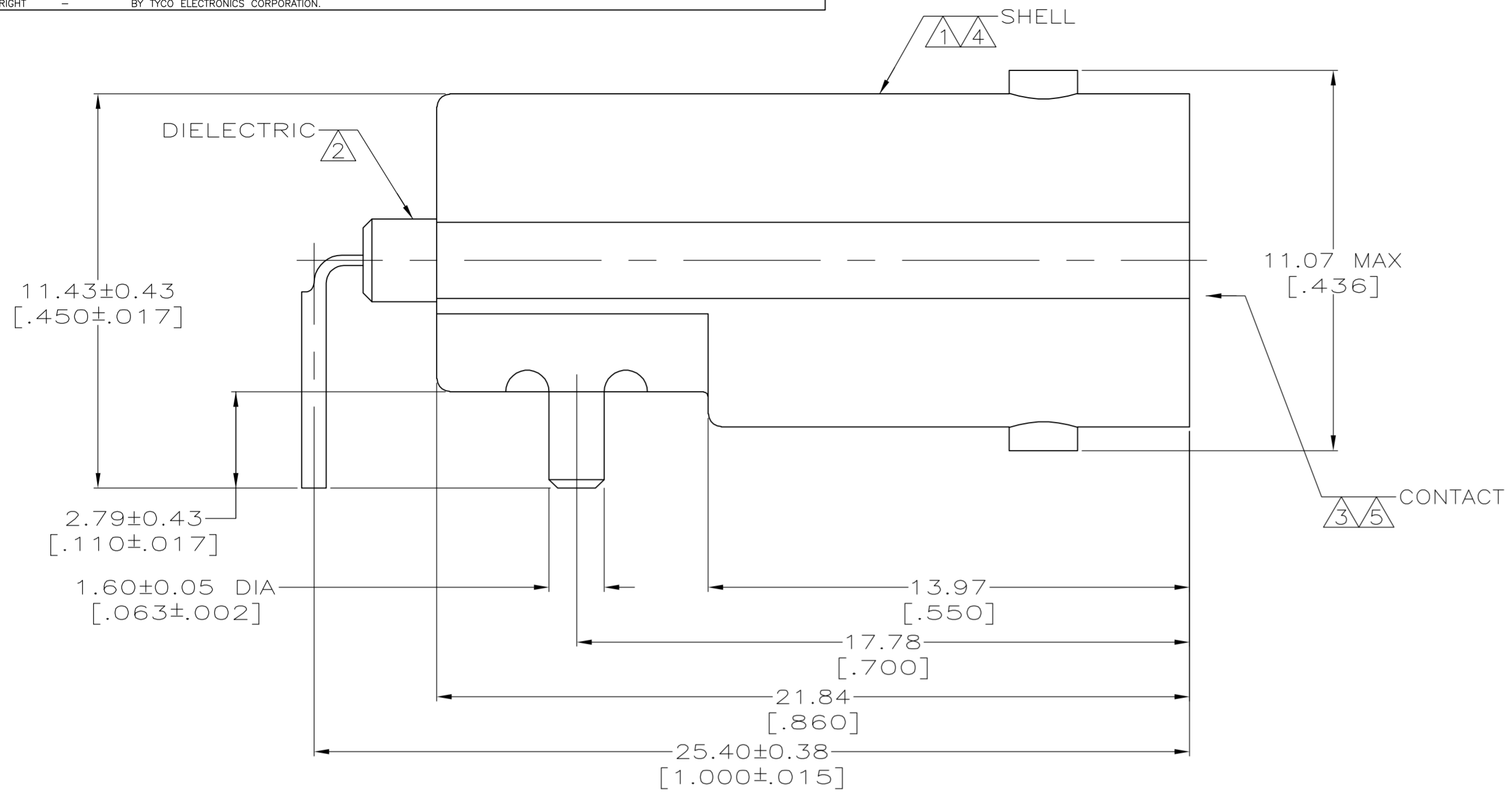
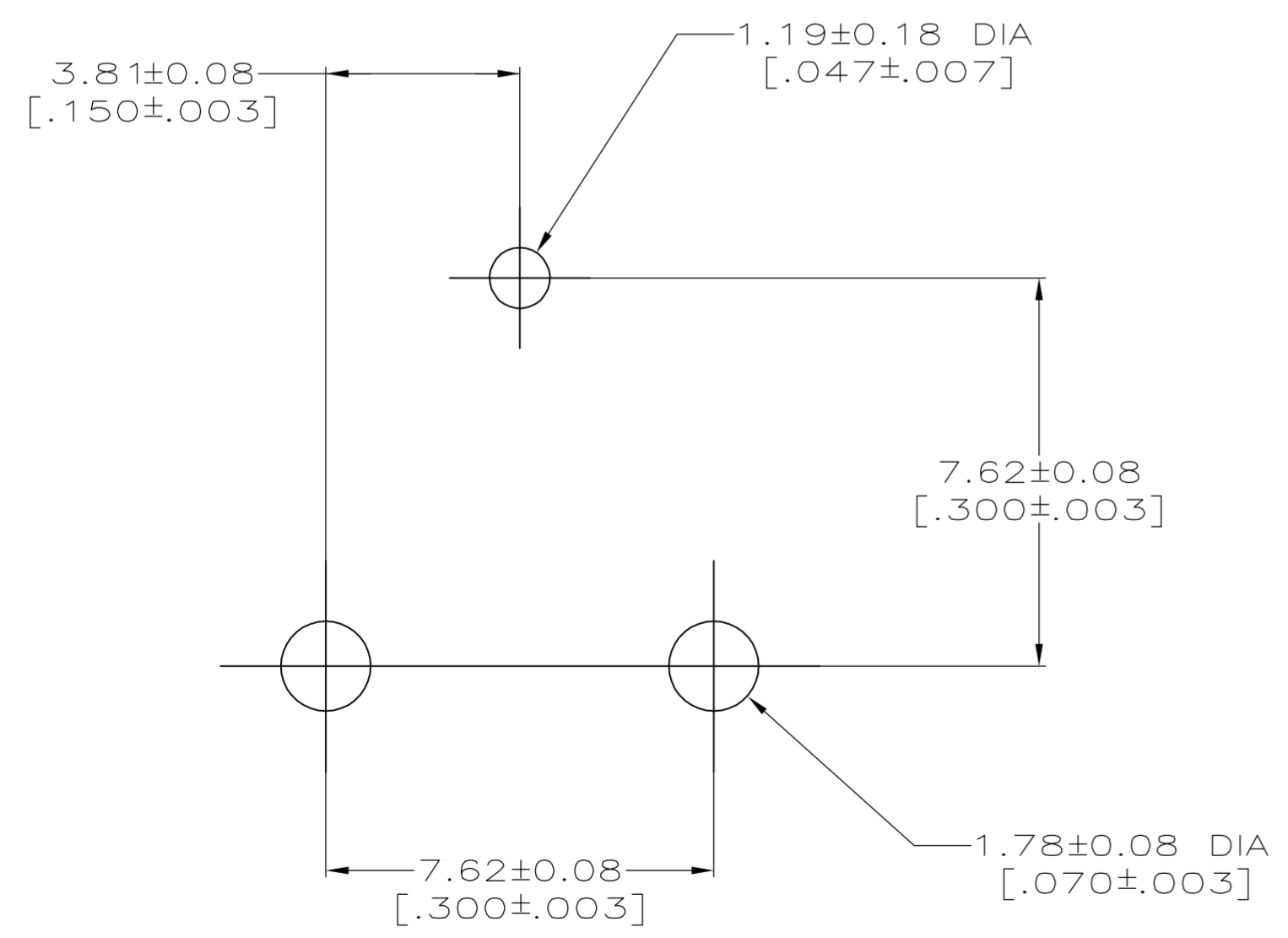


THIS DRAWING IS UNPUBLISHED. RELEASED FOR PUBLICATION
 © COPYRIGHT BY TYCO ELECTRONICS CORPORATION. ALL RIGHTS RESERVED.

LOC	DIST	REVISIONS			
P	LTR	DESCRIPTION	DATE	DWN	APVD
AJ	16	REVISED PER EC 0514-0150-05	20OCT2005	REH	JL



- 1 ZINC PER QQ-Z-363.
- 2 POLYMETHYLPENTENE, GENERAL PURPOSE.
- 3 PHOSPHOR BRONZE PER QQ-B-750.
- 4 NICKEL PLATE PER QQ-N-290, $3.81 \mu\text{m}$ [$.000150$] MINIMUM THICK.
- 5 GOLD PLATE PER ASTM-B-488, $0.76 \mu\text{m}$ [$.000030$] MINIMUM THICK.



SUGGESTED PCB CONFIGURATION

6274127-1
PART NUMBER

THIS DRAWING IS A CONTROLLED DOCUMENT.		DWN J. ALCORTA - DOCK5 28APR2005	Tyco Electronics Corporation Harrisburg, PA 17105-3608	
DIMENSIONS: INCHES		CHK J. HAVENER 28APR2005	NAME JACK, RIGHT ANGLE, PCB, 75 OHM, BNC	
TOLERANCES UNLESS OTHERWISE SPECIFIED:		APVD J. LIPPERT 28APR2005	SIZE A2	CAGE CODE 00779
0 PLC ± -	1 PLC ± -	PRODUCT SPEC	DRAWING NO C=6274127	RESTRICTED TO
2 PLC ± 0.13 [.005]	3 PLC ± -	APPLICATION SPEC	SCALE 8:1	SHEET 1 of 1
4 PLC ± -	ANGLES ± -	WEIGHT -	REV A	
MATERIAL SEE NOTES 1 THRU 3	FINISH SEE NOTES 4 & 5	CUSTOMER DRAWING		

6274127