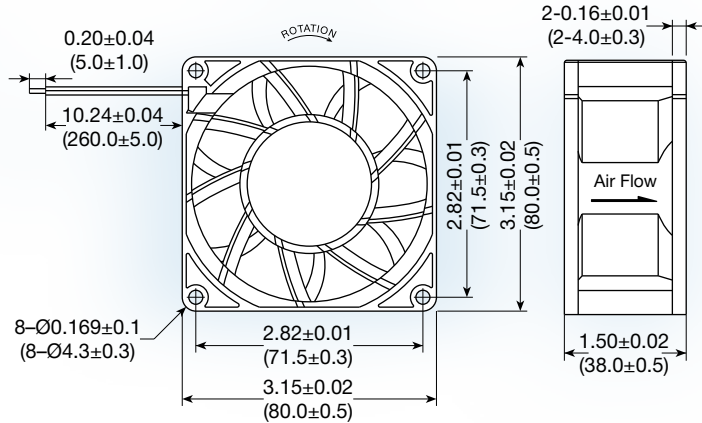
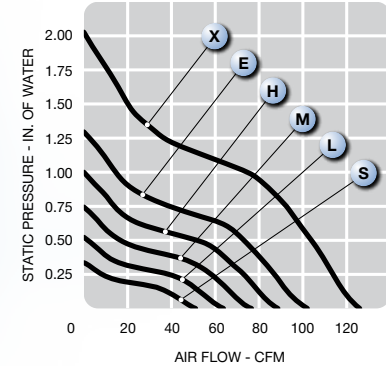


MR8038 series



(80 x 80 x 38 mm)

3.15 x 3.15 x 1.50 inches



Features: soft start, polarity protection, auto-restart

Operating Voltage: 12 or 24 VDC

Construction: UL94V-0 plastic impeller and frame

Bearing option: ball bearing or sleeve

Air Flow: air exhaust over struts

Options: tachometer output or locked rotor alarm signal; PWM speed control

Model No.	Rated Voltage VDC	Current A		Speed RPM	Air Volume		Max. Static Pressure (H ₂ O)		Sound Noise dBa	Weight g
		12	24		M ³ /Min.	CFM	MM	INCH		
MR8038S*	12/24	0.26	0.13	4,000	1.45	51.23	8.49	0.33	39	153
MR8038L	12/24	0.38	0.16	5,000	1.80	63.72	13.14	0.51	45	153
MR8038M	12/24	0.66	0.33	6,000	2.16	76.22	18.80	0.74	50	153
MR8038H	12/24	1.00	0.50	7,000	2.51	88.72	25.46	1.00	56	153
MR8038E	12/24	1.24	0.62	8,000	2.86	101.21	33.15	1.31	59	153
MR8038X	24	-	1.20	10,000	3.57	126.21	51.54	2.03	65	153

*This speed not UL recognized