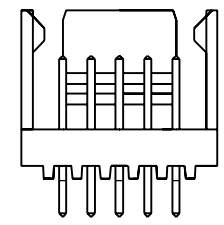
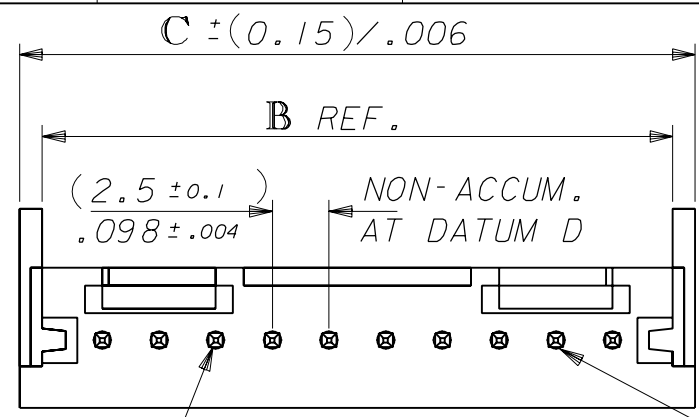


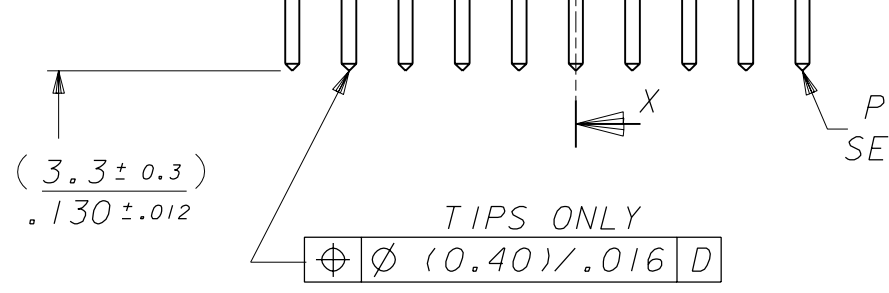
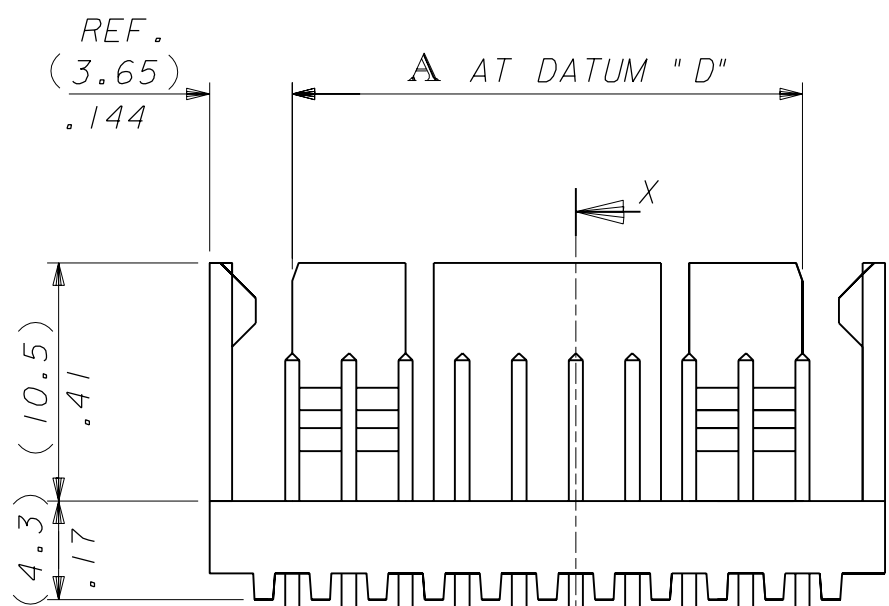
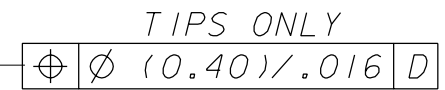
PART NO. SEE CHART
 DWG. NO. SDA-90293



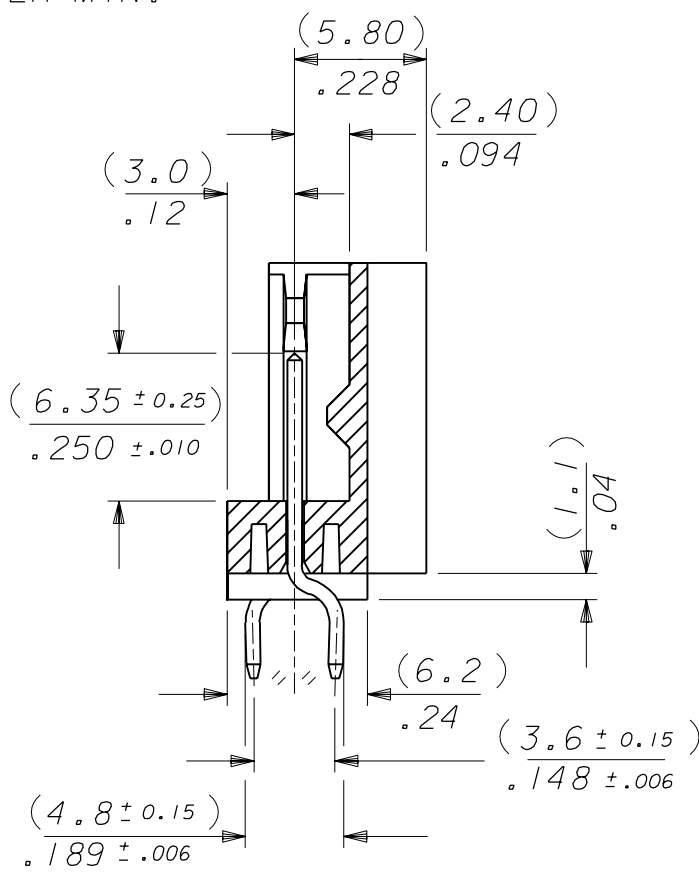
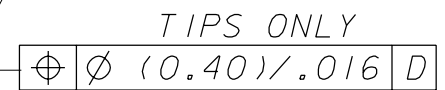
FOR CCTS 2 THRU 5

WAFER: POLYESTER 94V-0

PIN (0.635)/.025 SQ. BRASS
 PREPLATED ELECTRO-TIN
 (5μM)/.0002 MIN. OVER (2.5μM)/.0001
 COPPER MIN.

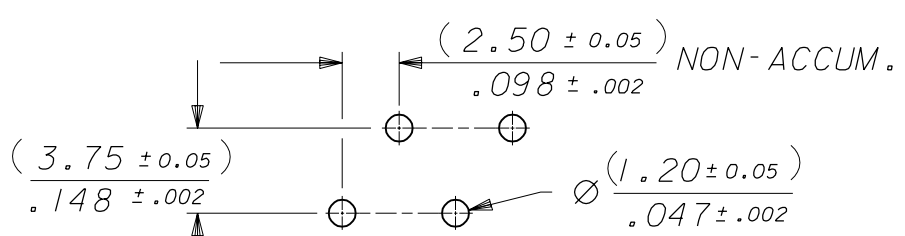


PIN No 1
 SEE NOTE 1



SECTION X-X

- NOTES:
1. PIN 1 TO BE POSITIONED AS SHOWN FOR ALL CCT. SIZES.
 2. PIN PUSH OUT FORCE (0.907)/2 LBS MIN.
 3. SOLDERABILITY TO MOLEX SPEC. ES-152.
 4. RECOMMENDED PCB THICKNESS (1.5)/.060



RECOMMENDED PCB HOLE DIMNS.
 VIEWED FROM COMPONENT SIDE

CCTS	DRG. No	DIMn. A	DIMn. B	DIMn. C	TOOLING
2	90293-0022	(2.50 ± 0.10) .098 ± .004	(7.80) .307	(9.80) .386	TOOLED
3	0023	(5.00 ± 0.10) .197 ± .004	(10.30) .406	(12.30) .484	
4	0024	(7.50 ± 0.10) .295 ± .004	(12.80) .504	(14.80) .583	
5	0025	(10.00 ± 0.10) .394 ± .004	(15.30) .602	(17.30) .681	
6	0026	(12.50 ± 0.10) .492 ± .004	(17.80) .701	(19.80) .780	
7	0027	(15.00 ± 0.10) .591 ± .004	(20.30) .799	(22.30) .878	
8	0028	(17.50 ± 0.10) .689 ± .004	(22.80) .898	(24.80) .976	
9	0029	(20.00 ± 0.10) .787 ± .004	(25.30) .996	(27.30) 1.075	
10	0030	(22.50 ± 0.13) .886 ± .005	(27.80) 1.094	(29.80) 1.173	
11	0031	(25.00 ± 0.13) .984 ± .005	(30.30) 1.193	(32.30) 1.272	
12	0032	(27.50 ± 0.13) 1.083 ± .005	(32.80) 1.291	(34.80) 1.370	
13	0033	(30.00 ± 0.15) 1.181 ± .006	(35.30) 1.390	(37.30) 1.469	
14	0034	(32.50 ± 0.15) 1.280 ± .006	(37.80) 1.488	(39.80) 1.567	
15	0035	(35.00 ± 0.15) 1.378 ± .006	(40.30) 1.587	(42.30) 1.665	
16	0036	(37.50 ± 0.15) 1.476 ± .006	(42.80) 1.685	(44.80) 1.764	
17	0037	(40.00 ± 0.15) 1.575 ± .006	(45.30) 1.783	(47.30) 1.862	
18	0038	(42.50 ± 0.18) 1.673 ± .007	(47.80) 1.882	(49.80) 1.961	
19	0039	(45.00 ± 0.18) 1.772 ± .007	(50.30) 1.980	(52.30) 2.059	
20	90293-0040	(47.50 ± 0.18) 1.870 ± .007	(52.80) 2.079	(54.80) 2.157	TOOLED

ADDED BORDER
 ECN NO. E2001-0472
 DRWN: MJACKO 26/10/00
 CHK:
 APPR:

QUALITY SYMBOLS
 MAJOR = 0
 CRITICAL C = 0

GENERAL TOLERANCES:
 (UNLESS SPECIFIED)

	mm	INCH
4 PLACES	±0.	±.
3 PLACES	±0.	±.006
2 PLACES	±0.15	±.015
1 PLACE	±0.38	±.0

ANGULAR: ± 2 °

DRAFT WHERE APPLICABLE MUST REMAIN WITHIN DIMENSIONS

SCALE 3:1
 DESIGN UNITS
 mm INCH
 DRAWN BY & DATE
 MCC 13/8 /86
 CHECKED BY & DATE
 APPROVED BY & DATE
 CAD FILENAME
 SA90293X1 DGN

DIMENSIONS:
 mm INCH mm ONLY
 mm ONLY
 THIRD ANGLE PROJECTION
 TITLE: STAGGERED, SHROUDED WAFER
 ASSY, MULTI-PURPOSE,
 (2.5)/.098 CTRS.
 MOLEX INCORPORATED
 MATERIAL NO. SEE CHART
 DRAWING NO. SDA-90293
 SHEET NO. 1 OF 1
 THIS DRAWING CONTAINS INFORMATION THAT IS PROPRIETARY TO MOLEX INCORPORATED AND SHOULD NOT BE USED WITHOUT WRITTEN PERMISSION.
 SIZE B