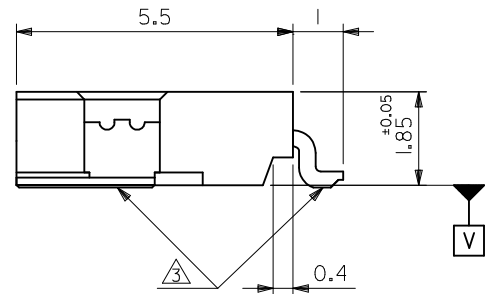
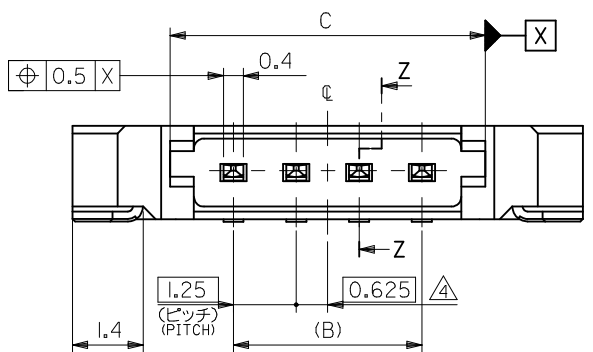
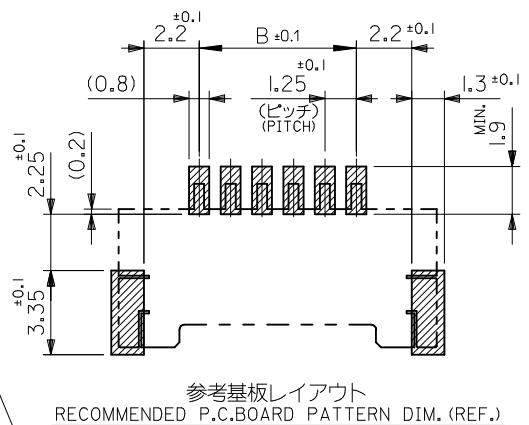
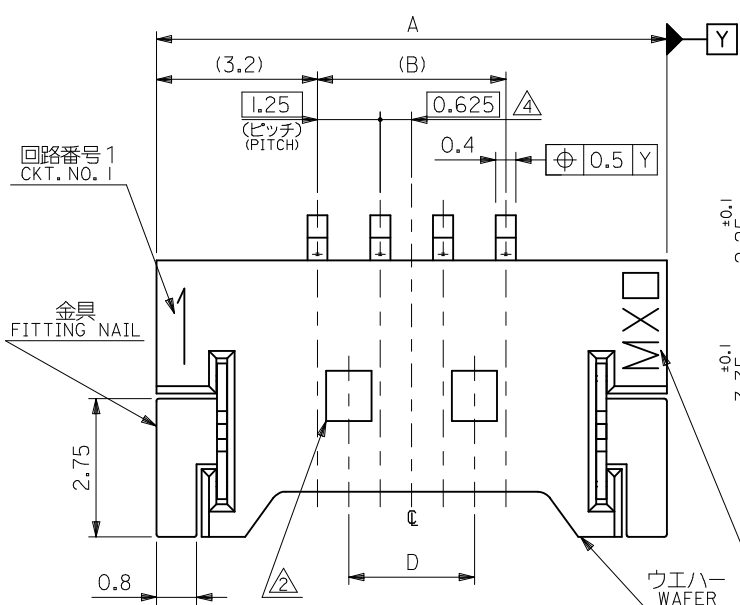


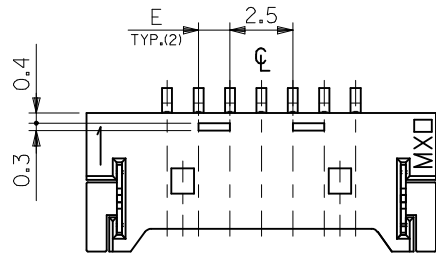
注記 NOTES

1. 嵌合相手 : 51146 シリーズ
MATES WITH : 51146 SERIES
2. ロック窓は2、3極品は1箇所、4極品以上は2箇所とする。
LOCKING WINDOW : ONE PLACE FOR 2 AND 3 CIRCUIT PRODUCTS AND TWO PLACES FOR MORE THAN 3 CIRCUIT PRODUCTS.
3. 基準面 [V] からのソルダータールと金具の半田付け面のズレ量は、上方向きに 0.05MAX. 下方向きに 0.15MAX. とし、20 極以下の相互のバラツキ量は 0.IMAX. とする。
MISALIGNMENT OF SOLDER TAIL AND FITTING NAIL FROM [V]
: UPPER DIRECTION 0.05MAX.
: LOWER DIRECTION 0.15MAX.
: OFFSET BETWEEN UPPER AND LOWER 0.IMAX. (UNDER 20 CKTS.)
4. 偶数極の製品に適用。
APPLY EVEN CIRCUIT PRODUCTS.
5. 材質 MATERIAL
ウエハー WAFER : PPS, UL94V-0
ピン:リン青銅 PIN:PHOSPHOR BRONZE
コンタクト部:金メッキ 0.2 マイクロメートル以上
CONTACT AREA:GOLD 0.2 MICROMETER MINIMUM
テール部:錫メッキ 3.0 マイクロメートル以上
TAIL AREA:TIN 3.0 MICROMETER MINIMUM
下地メッキ:ニッケルメッキ 1.0 マイクロメートル以上
UNDER PLATING:NICKEL 1.0 MICROMETER MINIMUM
金具:リン青銅 FITTING NAIL:PHOSPHOR BRONZE
錫メッキ 3.0 マイクロメートル以上
TIN 3.0 MICROMETER MINIMUM
下地メッキ:ニッケルメッキ 1.0 マイクロメートル以上
UNDER PLATING:NICKEL 1.0 MICROMETER MINIMUM
6. 本製品は 53780-**-**10/-**-**1.8 の鉛フリー品である。
THIS PRODUCT IS LEAD FREE OF 53780-**-**10/-**-**1.8.
7. ELV 及び RoHS 適合品
ELV & RoHS COMPLIANT.

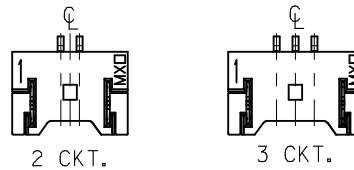


8.75	22.5	26.27	23.75	30.15	53780-2070	20
7.5	20	23.77	21.25	27.65	-1870	18
6.25	16.25	20.02	17.5	23.9	-1570	15
5	15	18.77	16.25	22.65	-1470	14
3.75	12.5	16.27	13.75	20.15	-1270	12
2.5	10	13.77	11.25	17.65	-1070	10
2.5	8.75	12.52	10	16.4	-0970	9
1.25	7.5	11.27	8.75	15.15	-0870	8
1.25	6.25	10.02	7.5	13.9	-0770	7
--	5	8.77	6.25	12.65	-0670	6
--	3.75	7.52	5	11.4	-0570	5
--	2.5	6.27	3.75	10.15	-0470	4
--	--	5.02	2.5	8.9	-0370	3
--	--	3.77	1.25	7.65	53780-0270	2
E	D	C	B	A	EMBOSSED PACKAGE	CKT. 極数
CONNECTOR SERIES NO. 53780-**-**19						オーダー番号 ORDER No.

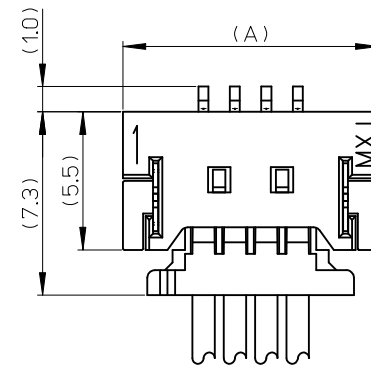
REVISED EC NO: J2018-0015 DRW: NKN02 CHKD: APPR: GGA 2017/07/16 2017/07/19	GENERAL TOLERANCES (UNLESS SPECIFIED)		DIMENSION STYLE		SCALE	DESIGN UNITS	1.25 W/B CONN WAFER ASSY FOR SMT molex SD-53780-003 SHEET NO. 1 OF 2
	0.25 UNDER ±0.03		MM ONLY		---	METRIC	
	0.25 OVER 0.5 UNDER ±0.05		DRAWN BY T. YENO		DATE '04/04/15		
	0.5 OVER 1.0 UNDER ±0.1		CHECKED BY M. SASAO		DATE '04/04/15		
1.0 OVER 10 UNDER ±0.2		APPROVED BY M. SASAO		DATE '04/04/15		THIRD ANGLE PROJECTION	
30 OVER ±0.25		MATERIAL NO.		DOCUMENT NO.		SEE CHART	
ANGULAR ±3 °		SIZE A3		THIS DRAWING CONTAINS INFORMATION THAT IS PROPRIETARY TO MOLEX ELECTRONIC TECHNOLOGIES, LLC AND SHOULD NOT BE USED WITHOUT WRITTEN PERMISSION			
DRAFT WHERE APPLICABLE MUST REMAIN WITHIN DIMENSIONS							



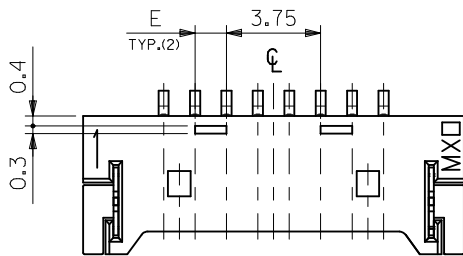
7~19極の奇数極に適用
 APPLY FOR ODD CIRCUITS OF 7~19



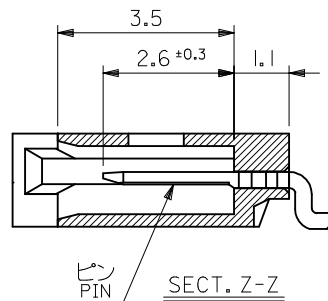
ロック形状図
 LOCK CONFIGURATION



嵌合図 (SCALE 5:1)
 MATED CONNECTORS (SCALE 5:1)



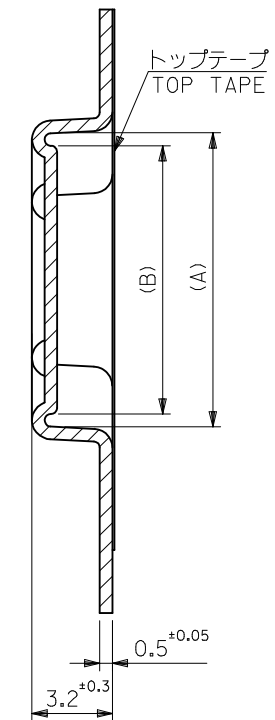
8~30 極の偶数極に適用
 APPLY FOR EVEN CIRCUITS OF 8~30



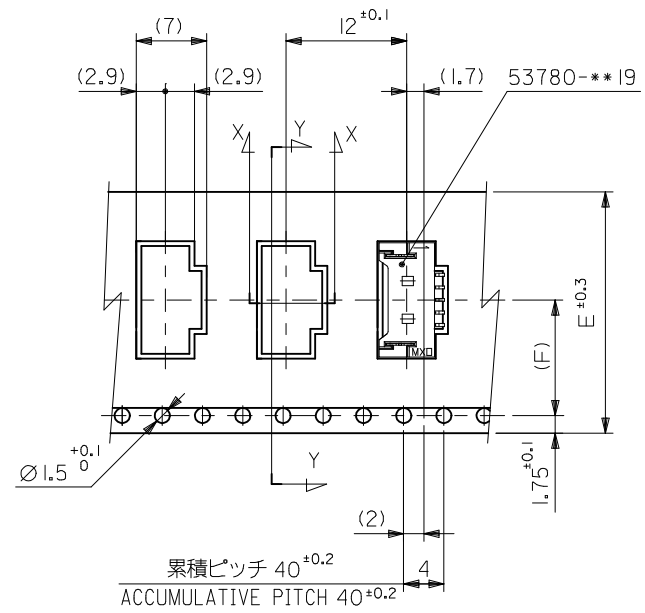
SECT. Z-Z

CONNECTOR SERIES NO. 53780-**19

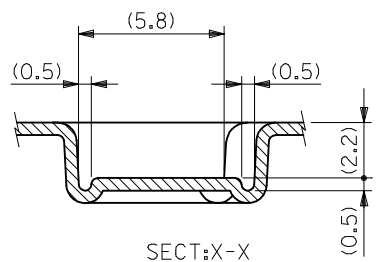
REVISED EC NO: J2018-0015 DRW: MKN02 CHKD: APPR: GGA	2017/07/06 2017/07/19	GENERAL TOLERANCES (UNLESS SPECIFIED)		DIMENSION STYLE MM ONLY		SCALE ---	DESIGN UNITS METRIC	THIRD ANGLE PROJECTION	
		0.25 UNDER	±0.03	DRAWN BY	DATE	TITLE			
		0.25 OVER	±0.05	T. UENO	'04/04/15	1.25 W/B CONN WAFER ASSY FOR SMT			
		0.5 OVER	±0.1	CHECKED BY	DATE	molex			
		1.0 OVER	±0.2	M. SASAO	'04/04/15				
10 OVER	±0.25	APPROVED BY	DATE	MATERIAL NO.		DOCUMENT NO.		SHEET NO.	
30 OVER	±0.3	M. SASAO	'04/04/15	SEE CHART		SD-53780-003		2 OF 2	
ANGULAR ±3 °				SIZE A3		THIS DRAWING CONTAINS INFORMATION THAT IS PROPRIETARY TO MOLEX ELECTRONIC TECHNOLOGIES, LLC AND SHOULD NOT BE USED WITHOUT WRITTEN PERMISSION			
DRAFT WHERE APPLICABLE MUST REMAIN WITHIN DIMENSIONS									



SECT:Y-Y
(SCALE 5:1)



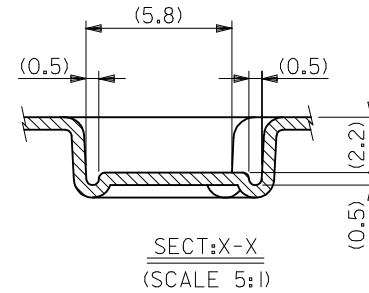
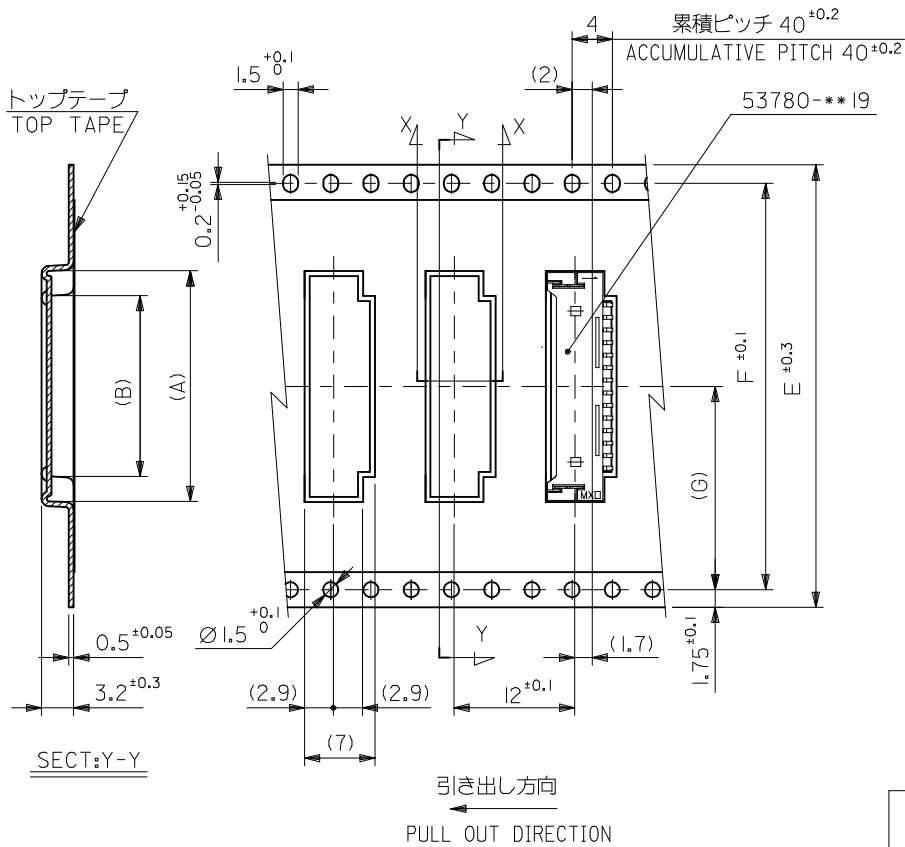
引き出し方向
PULL OUT DIRECTION



SECT:X-X
(SCALE 5:1)

11.5	24	29.4	25.4	11.75	16.7	53780-0970	9
				10.5	15.45	53780-0870	8
				9.25	14.2	53780-0770	7
				8	12.95	53780-0670	6
				6.75	11.7	53780-0570	5
7.5	16	21.4	17.4	5.5	10.45	53780-0470	4
				4.25	9.2	53780-0370	3
				3	7.95	53780-0270	2
(F)	E	D	C	(B)	(A)	MATERIAL NO.	種数 CKT.
				MODEL NO.		53780-**-70	

REVISED EC NO: J2018-0015 DRAWN: KNO2 CHKD: APPR: GGA	DESCRIPTION 2017/07/06 2017/07/19	GENERAL TOLERANCES (UNLESS SPECIFIED)		DIMENSION STYLE MM ONLY		SCALE ---	DESIGN UNITS METRIC	THIRD ANGLE PROJECTION	
		0.25 UNDER	±0.03	DRAWN BY T. UENO	DATE '04/04/15	TITLE 1.25 W/B WAFER ASSY EMBOSSED TAPE PACKAGE			
		0.25 OVER	±0.05	CHECKED BY M. SASAO	DATE '04/04/15				
		0.5 OVER	±0.1	APPROVED BY M. SASAO	DATE '04/04/15				
1.0 OVER	±0.2	MATERIAL NO.		DOCUMENT NO.	SHEET NO.				
10 OVER	±0.25	SEE CHART		SD-53780-004		2 OF 3			
30 OVER	±0.3	THIS DRAWING CONTAINS INFORMATION THAT IS PROPRIETARY TO MOLEX ELECTRONIC TECHNOLOGIES, LLC AND SHOULD NOT BE USED WITHOUT WRITTEN PERMISSION							
ANGULAR ±3 °		DRAFT WHERE APPLICABLE MUST REMAIN WITHIN DIMENSIONS		SIZE A3					



20.2	40.4	44	49.4	45.4	25.5	30.45	53780-2070	20
					25.5	27.95	53780-1870	18
					19.25	24.2	53780-1570	15
					18	22.95	53780-1470	14
					15.5	20.45	53780-1270	12
14.2	28.4	32	37.4	33.4	13	17.95	53780-1070	10
(G)	F	E キャリアテープ幅 CARRIER TAPE WIDTH	D	C	(B)	(A)	MATERIAL NO.	種数 CKT.

REVISED EC NO: J2018-0015 DRWNNK02 CHKD: APPR:GGA 2017/07/19 2017/07/19	GENERAL TOLERANCES (UNLESS SPECIFIED)		DIMENSION STYLE MM ONLY		SCALE ---	MODEL NO. 53780-***70
	0.25 UNDER	±0.03	DRAWN BY T. UENO	DATE '04/04/15	TITLE 1.25 W/B WAFER ASSY EMBOSSED TAPE PACKAGE	
	0.25 OVER	0.5 UNDER	±0.05	CHECKED BY M. SASAO	DATE '04/04/15	
	0.5 OVER	1.0 UNDER	±0.1	APPROVED BY M. SASAO	DATE '04/04/15	
1.0 OVER	10 UNDER	±0.2	MATERIAL NO.		DOCUMENT NO. SD-53780-004	SHEET NO. 3 OF 3
10 OVER	30 UNDER	±0.25	SEE CHART		THIS DRAWING CONTAINS INFORMATION THAT IS PROPRIETARY TO MOLEX ELECTRONIC TECHNOLOGIES, LLC AND SHOULD NOT BE USED WITHOUT WRITTEN PERMISSION	
30 OVER		±0.3	DRAFT WHERE APPLICABLE MUST REMAIN WITHIN DIMENSIONS			