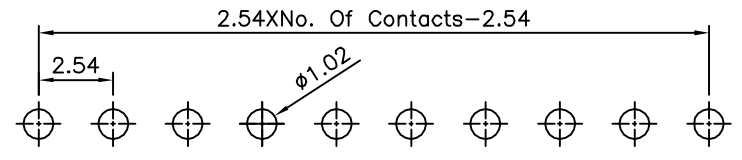
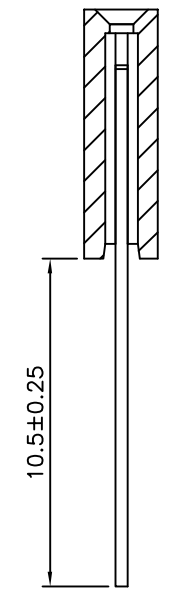
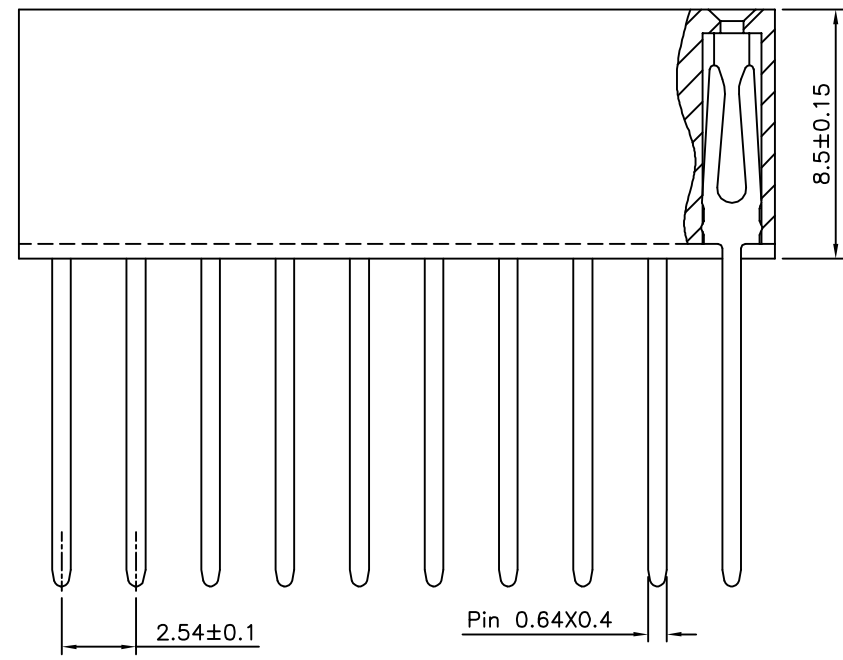
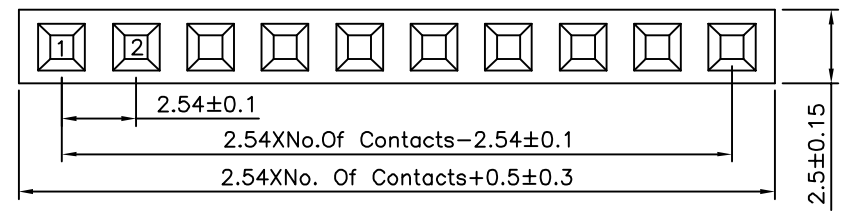


SPECIFICATION

Current Rating:3A
 Withstand Voltage:1000V AC
 Contact Resistance:20 Milliohms Max.
 Insulation Resistance:1000 Megohms Min.
 Operation Temperature:-40°C~+105°C
 Housing:PBT(UL94V-0),Black
 Contact:Brass,Gold Flash Over Nickel
 RoHS Compliant



Recommended P.C.B. Layout(Top View)
 (PCB Board Tolerance±0.05)



4UCON 元化興業股份有限公司
 4UCON TECHNOLOGY INC.

| | | | | |
|-------------|------|-------------|----|---|
| DRAWING No. | | APPROVED BY | | UNLESS OTHERWISE SPECIFIED TOLERANCES ARE X. ±0.25 X.* ±2* .X ±0.20 .X* ±1.5* .XX ±0.15 .XX* ±1* .XXX ±0.10 .XXX* ±0.5* |
| 20688 | | EMILY | | |
| | | CHECKED BY | | |
| | | HZF | | |
| | | DRAWING BY | | UNIT |
| | | SAN | | |
| SCALE | NONE | REV. | A0 | mm |

| | | | | |
|------|------|-------------|-----|------------|
| NO. | REV. | REVISIONS | CHK | DATE |
| △ A0 | | NEW RELEASE | HZF | 10/04/2013 |