

- NOTES:
- MATERIALS: HOUSING AND LATCH - HIGH TEMPERATURE THERMOPLASTIC, UL 94-V0
TERMINAL AND FORKLATCH - COPPER ALLOY
 - FINISHES: CONTACT AREA: SEE TABLE ON SHEET 3
SOLDER TAILS: 2.54um/100um MIN. TIN/LEAD
 - PRODUCT SPECIFICATIONS: PS-87587-007 FOR PERFORMANCE SPECIFICATIONS.
 - DATE CODE SHALL BE MARKED LEGIBLY AS SHOWN: XX XXX
YEAR DAY
 - PART NUMBER SHALL BE MARKED LEGIBLY AS SHOWN: 87587-0XXX
REFER TO THE TABLE

EC NO. S2003-0620 DRWN: YSKHOANG030623 CHK: PT LIM 030701 APPR: SK TOH 030702	QUALITY SYMBOLS	GENERAL TOLERANCES: (UNLESS SPECIFIED)		SCALE	DESIGN UNITS	THIRD ANGLE PROJECTION	DIMENSIONS: <input type="checkbox"/> mm <input type="checkbox"/> INCH <input type="checkbox"/> mm <input checked="" type="checkbox"/> INCH ONLY	3	BI
	MAJOR ▼ = 0	mm	INCH	NTS	<input checked="" type="checkbox"/> mm <input type="checkbox"/> INCH			2	BI
REV	CRITICAL ▽ = 0	4 PLACES	±0. --- ±.	DRAWN BY & DATE L.P.LIM 990319		TITLE: 1.27 MM PITCH 25 DEG 168 CKTS MULTI-KEY DIMM	MATERIAL NO. SEE TABLE	1	BI
		3 PLACES	±0. --- ±.	CHECKED BY & DATE K.C.LING 990614				DRAWING NO. SD-87587-001	SHEET NO. 1 OF 3
		2 PLACES	±0.25 ±.	APPROVED BY & DATE S.K.TOH 990615		MOLEX INCORPORATED			
		1 PLACE	±0. --- ±.	CAD FILENAME SD-87587-001.S01		SIZE A3			
		ANGULAR: ± 5°		THIS DRAWING CONTAINS INFORMATION THAT IS PROPRIETARY TO MOLEX INCORPORATED AND SHOULD NOT BE USED WITHOUT WRITTEN PERMISSION.					

8

7

6

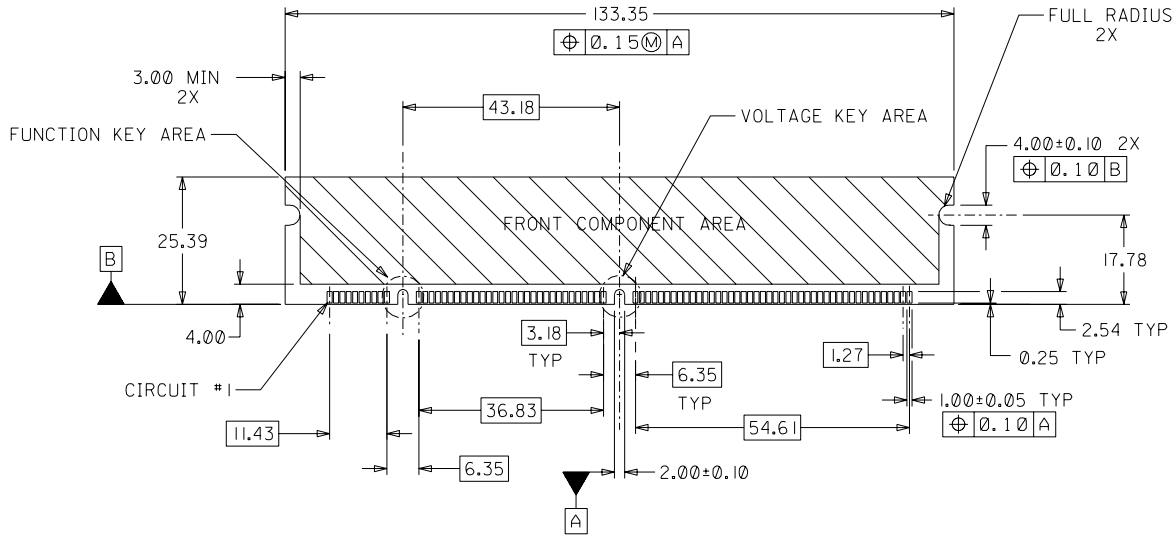
5

4

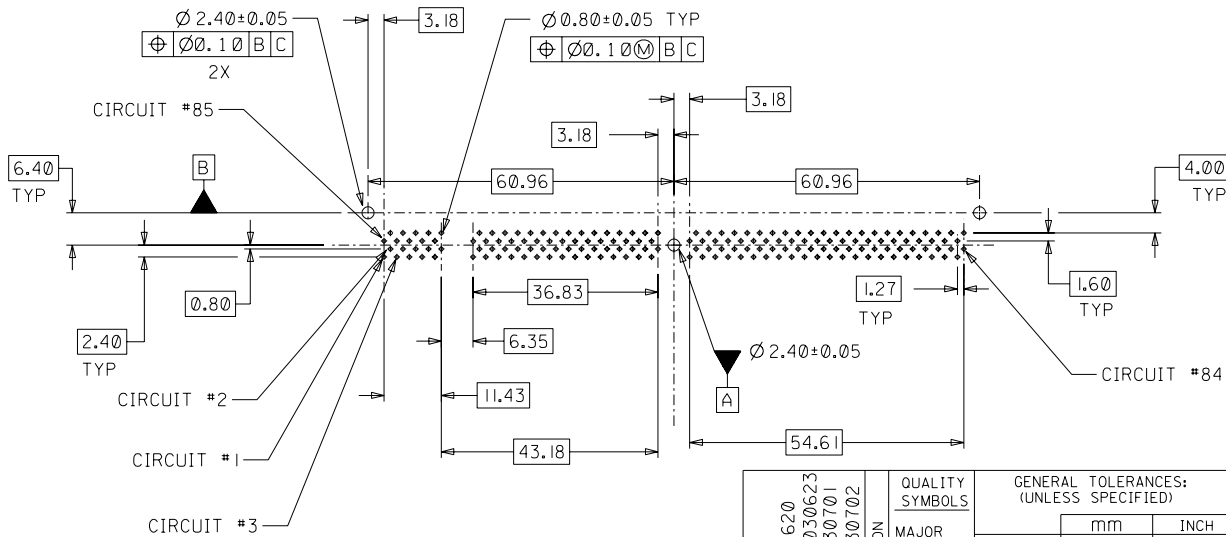
3

2

1

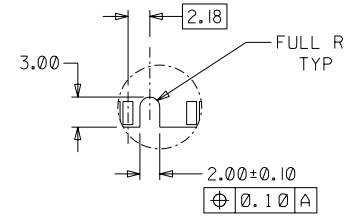


RECOMMENDED MODULE LAYOUT
(PER JEDEC STANDARD MO-161, I68 CKT. 3.3V)

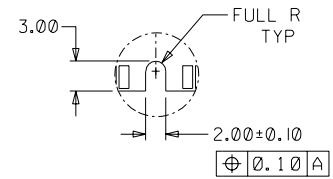


RECOMMENDED
P.C. BOARD HOLE PATTERN
(CONNECTOR SIDE)

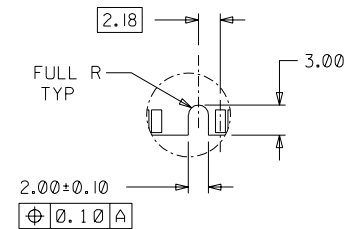
FUNCTION KEY AREA OPTIONS
(REFER ALSO TO TABLE ON SHT. 3)



OFFSET LEFT KEY



CENTERED KEY



OFFSET RIGHT KEY

EC NO. S2003-0620 DRAWN:SKHOANG030623 CHK: PT LIM 030701 APPR:SK TOH 030702	QUALITY SYMBOLS MAJOR ▼ = 0 CRITICAL ▽ = 0	GENERAL TOLERANCES: (UNLESS SPECIFIED)		SCALE NTS	DESIGN UNITS ☒ mm ☐ INCH	THIRD ANGLE PROJECTION	DIMENSIONS: ☐ mm ☐ INCH ☒ mm ONLY	SHT	REV	
		4 PLACES ±0. --- ±.	3 PLACES ±0. --- ±.	2 PLACES ±0.25 ±.	1 PLACE ±0. --- ±.	ANGULAR: ± 5°	DRAWN BY & DATE L.P.LIM 990319	TITLE: 1.27 MM PITCH 25 DEG I68 CKTS MULTI-KEY DIMM		
BI	REV	APPROVED BY & DATE S.K.TOH 990615			MATERIAL NO. SEE TABLE			DRAWING NO. SD-87587-001		SHEET NO. 2 OF 3
		THIS DRAWING CONTAINS INFORMATION THAT IS PROPRIETARY TO MOLEX INCORPORATED AND SHOULD NOT BE USED WITHOUT WRITTEN PERMISSION.			MATERIAL NO. SEE TABLE			DRAWING NO. SD-87587-001		SIZE A3

8

7

6

5

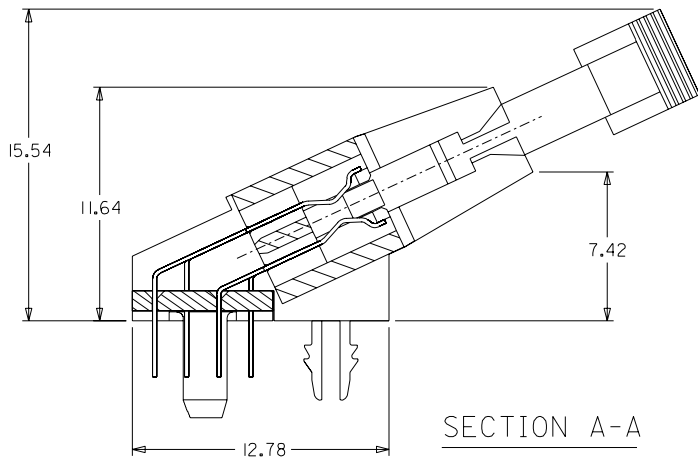
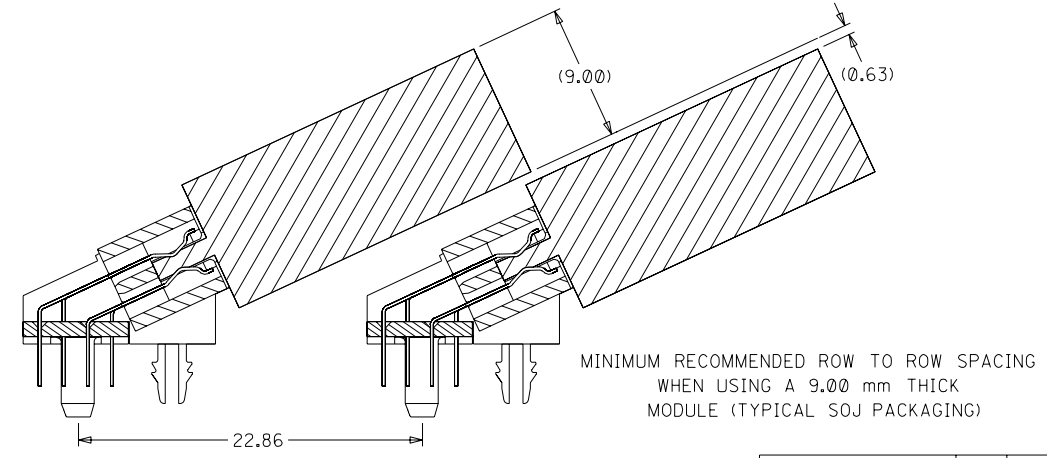
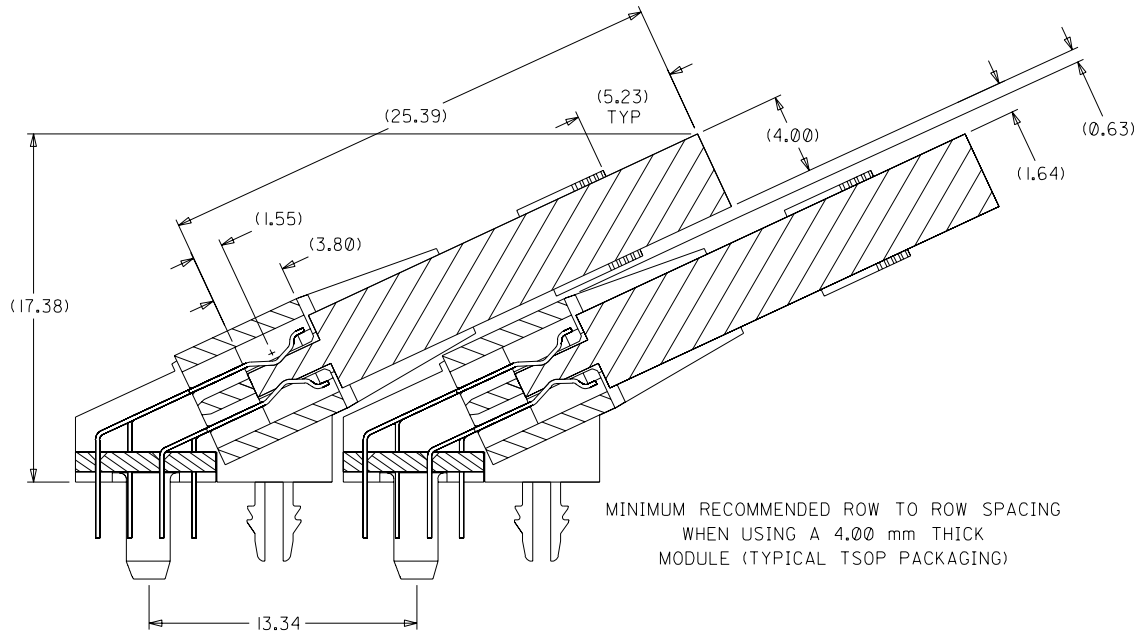
4

3

2

1

MATERIAL NO.	FUNCTION KEY	DATUM VOLTAGE KEY	TAIL LENGTH P±0.25	FINISHES: CONTACT AREA
87587-0048	LEFT	CENTER (3.3V)	2.79	SELECTIVE GOLD 0.38µm/15µ" MIN. GOLD OVER 1.27µm/50µ" MIN. NICKEL
87587-0049	CENTER			
87587-0050	RIGHT			
87587-0057	LEFT		3.18	
87587-0058	CENTER			SELECTIVE GOLD 0.76µm/30µ" MIN. GOLD OVER 1.27µm/50µ" MIN. NICKEL
87587-0059	RIGHT			
87587-0148	LEFT		2.79	
87587-0149	CENTER			
87587-0150	RIGHT			
87587-0157	LEFT		3.18	
87587-0158	CENTER			
87587-0159	RIGHT			



EC NO. S2003-0620 DRWN:VSKHOANG030623 CHK: PT LIM 030701 APPR: SK TOH 030702	QUALITY SYMBOLS MAJOR ▼ = 0 CRITICAL ▽ = 0	GENERAL TOLERANCES: (UNLESS SPECIFIED) 4 PLACES ±0. --- ±. 3 PLACES ±0. --- ±. 2 PLACES ±0.25 ±. 1 PLACE ±0. --- ±. ANGULAR: ± 5°	SCALE NTS DESIGN UNITS <input checked="" type="checkbox"/> mm <input type="checkbox"/> INCH	THIRD ANGLE PROJECTION <input type="checkbox"/> mm <input type="checkbox"/> INCH <input checked="" type="checkbox"/> mm ONLY	SHT REV
	DRAWN BY & DATE L.P.LIM 990319 CHECKED BY & DATE K.C.LING 990614 APPROVED BY & DATE S.K.TOH 990615	TITLE: 1.27 MM PITCH 25 DEG I68 CKTS MULTI-KEY DIMM	CAD FILENAME SD-87587-001.S03	MATERIAL NO. SEE TABLE	DRAWING NO. SD-87587-001

THIS DRAWING CONTAINS INFORMATION THAT IS PROPRIETARY TO MOLEX INCORPORATED AND SHOULD NOT BE USED WITHOUT WRITTEN PERMISSION.

SIZE A3