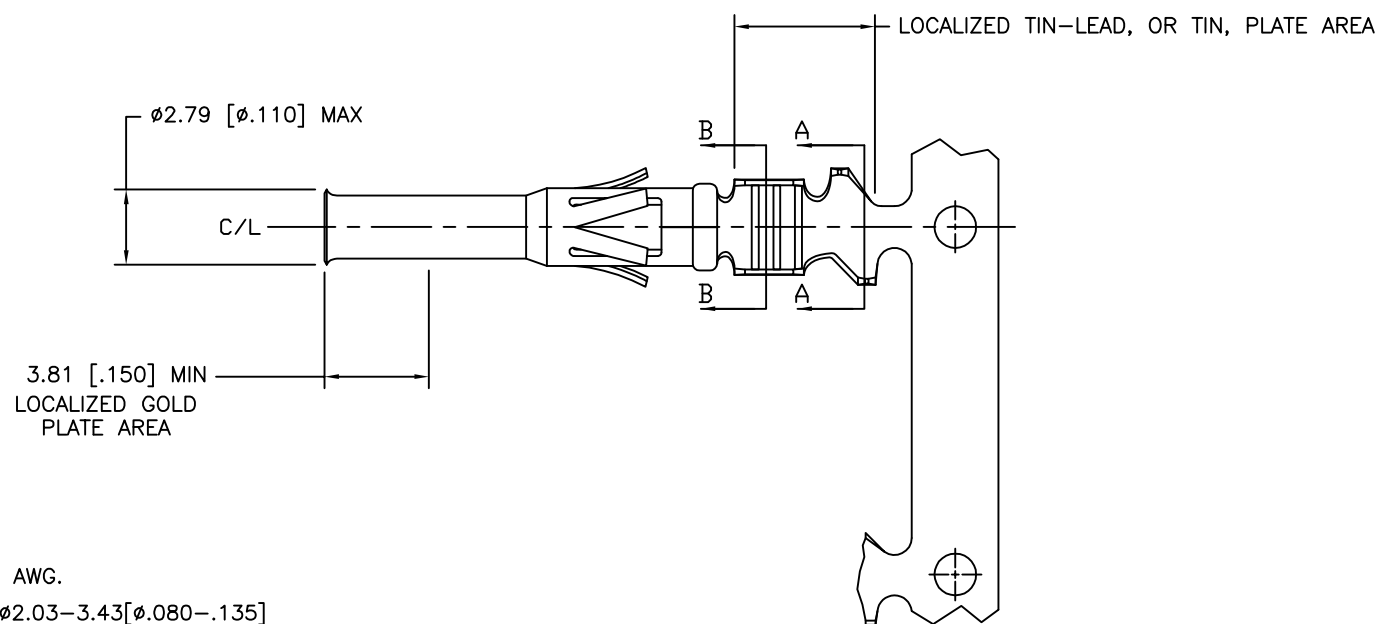
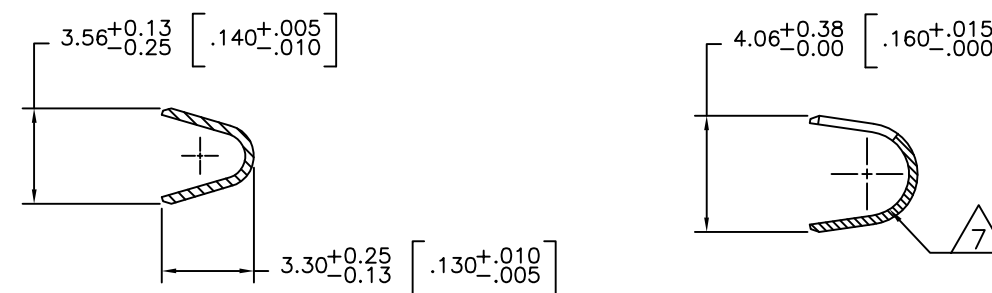
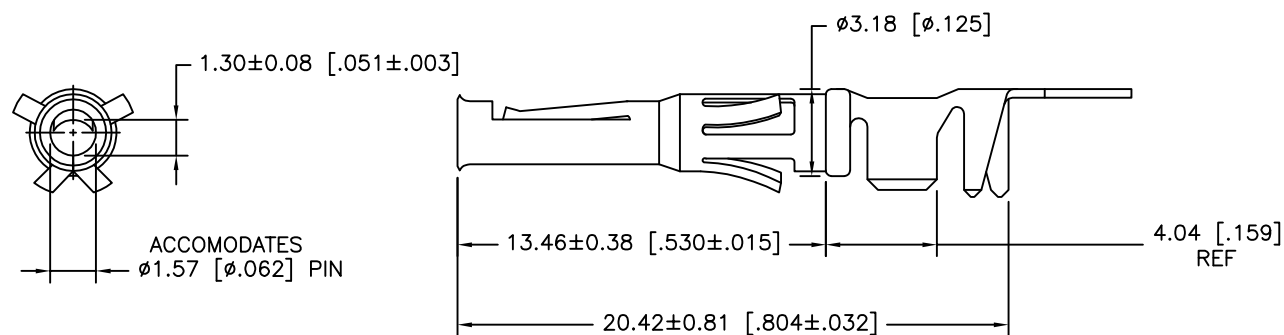
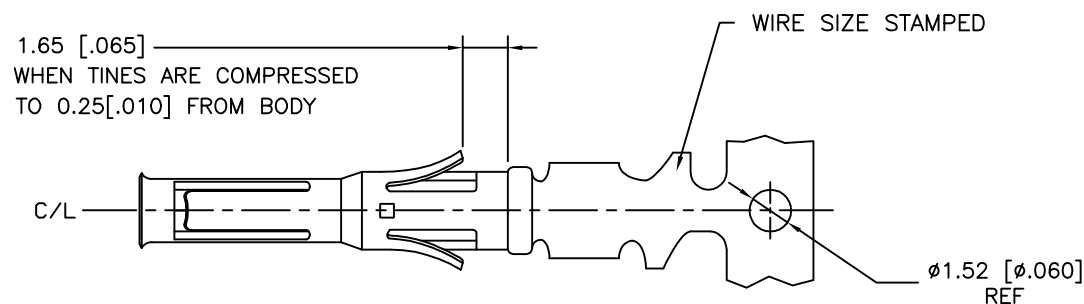


P	LTR	DESCRIPTION	DATE	DWN	APVD
	F	REV PER EC 0G3B-0317-03	24APR03	VF	GS
	G	REVISED PER ECO-17-009773	07JUL2017	RS	MZ



- 1 WIRE RANGE 18-14 AWG.
- 2 INSULATION RANGE $\phi 2.03-3.43[\phi .080-.135]$
- 3 FOR LOOSE PIECE PART SEE DWG 66588.
- 4 $0.76\mu\text{m} [.000030]$ MIN GOLD IN LOCALIZED GOLD PLATE AREA, $1.27\mu\text{m} [.000050]$ MIN TIN-LEAD IN LOCALIZED TIN-LEAD PLATE AREA, BOTH OVER $1.27\mu\text{m} [.000050]$ MIN NICKEL.
- 5 TIN PLATED.
- 6 GOLD PLATING PER MIL-G-45204, TIN PER MIL-T-10727 AND NICKEL PER QQ-N-290.
- 7 $\phi 2.03-2.67[\phi .080-.105]$ INSULATION CRIMP WILL BE $3.05[.120]$ "O" CRIMP, $\phi 2.67-3.43[\phi .105-.135]$ INSULATION CRIMP WILL BE $3.56[.140]$ "O" CRIMP.
- 8 $0.76\mu\text{m} [.000030]$ MIN GOLD IN LOCALIZED GOLD PLATE AREA, $1.27\mu\text{m} [.000050]$ MIN TIN IN LOCALIZED TIN PLATE AREA, BOTH OVER $1.27\mu\text{m} [.000050]$ MIN NICKEL.

OBSOLETE	REVERSE REELED FOR MINI-APPLICATOR	8	66578-7
	REVERSE REELED FOR MINI-APPLICATOR	4	66578-4
OBSOLETE	-	4	66578-3
	REVERSE REELED FOR MINI-APPLICATOR	5	66578-2
	-	5	66578-1
	DESCRIPTION	FINISH	PART NUMBER

THIS DRAWING IS A CONTROLLED DOCUMENT.		DWN V. FURLER 13MAY2003	TE Connectivity	
DIMENSIONS: mm [INCHES]		CHK G. STEINHAUER 16MAY03		
TOLERANCES UNLESS OTHERWISE SPECIFIED:		APVD G. STEINHAUER 16MAY03	NAME CONTACT, SOCKET, STRIP, TYPE VI, MULTIMATE	
		PRODUCT SPEC -	SIZE A3	
MATERIAL BRASS MIL-C-50		APPLICATION SPEC -	CAGE CODE 00779	DRAWING NO C-66578
FINISH SEE TABLE 6		WEIGHT -	RESTRICTED TO -	
CUSTOMER DRAWING			SCALE 8:1	SHEET 1 OF 1
			REV G	