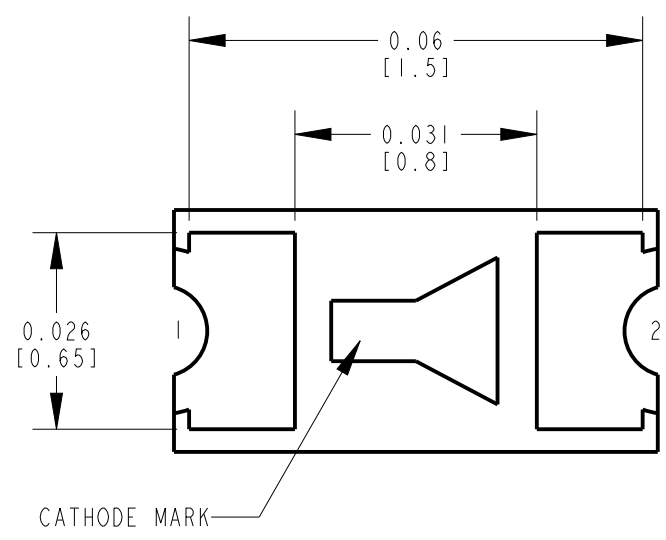
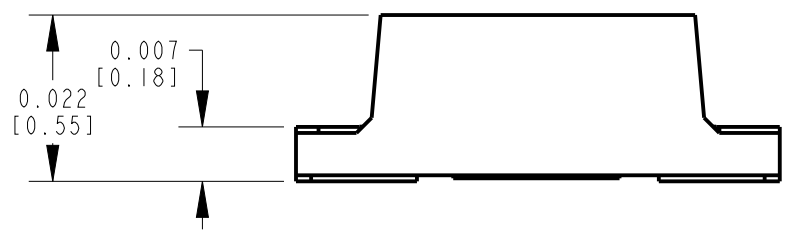
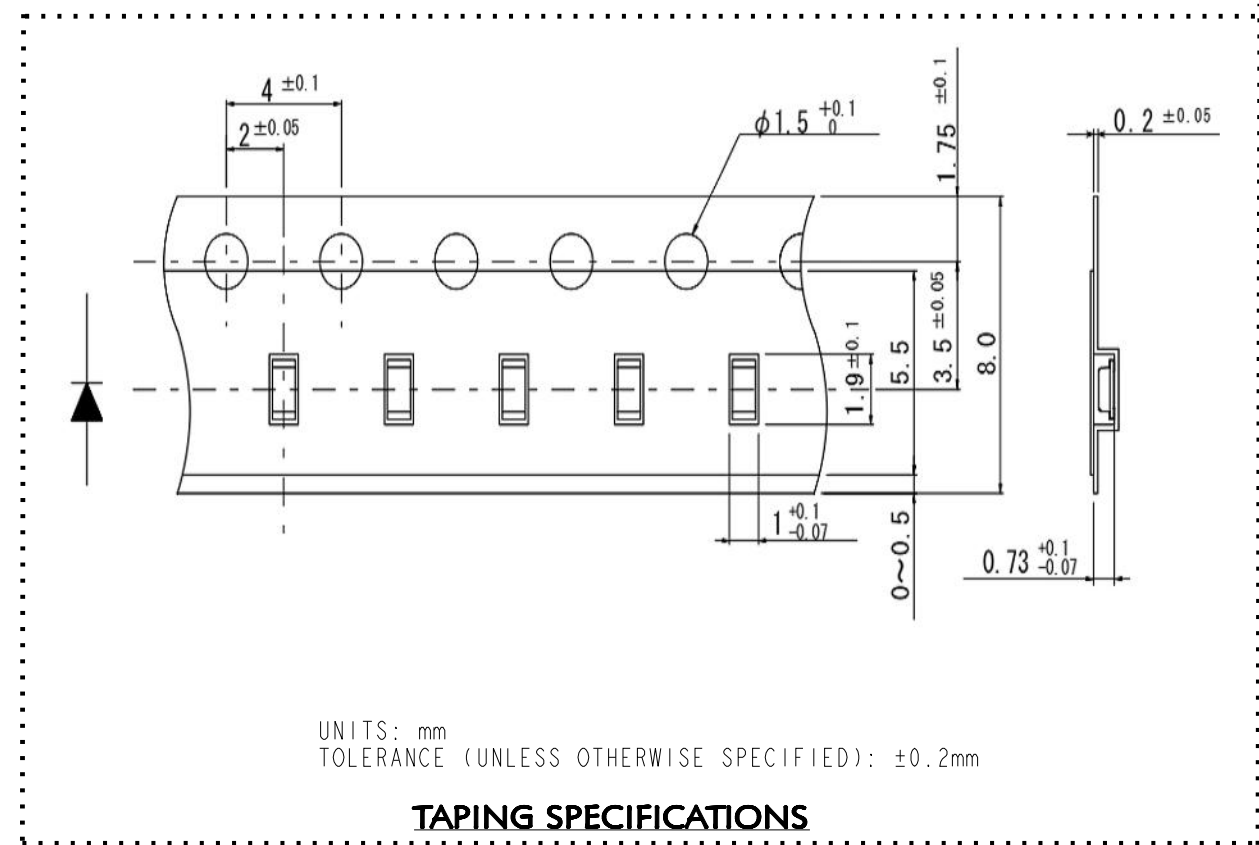
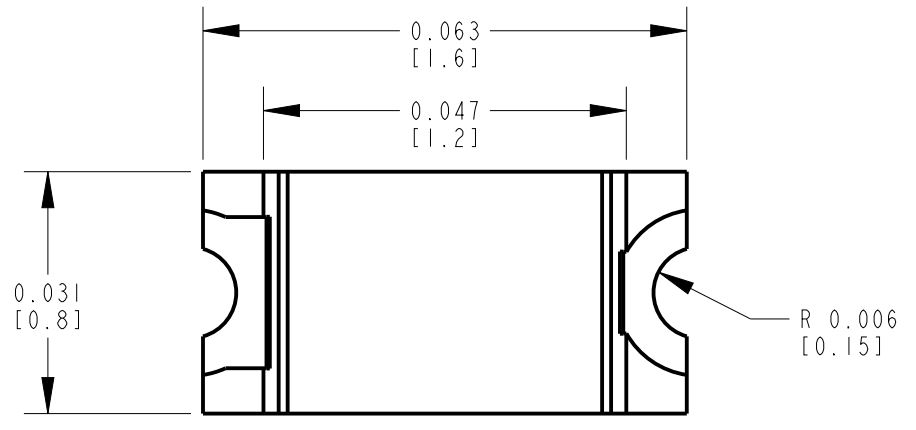


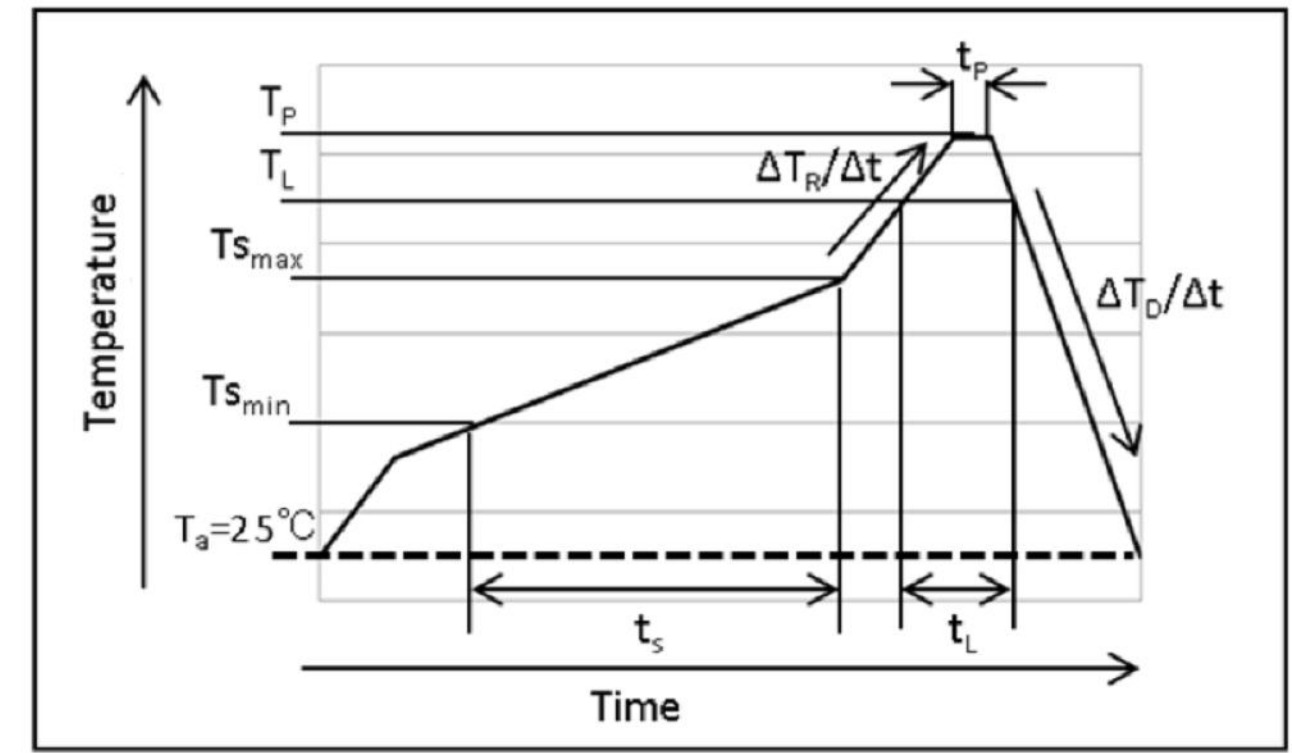
| PART NUMBER         | LED COLOR     |
|---------------------|---------------|
| 597-3604-502F, 507F | BLUE (470nm)  |
| 597-3324-502F, 507F | GREEN (527nm) |
| 597-3904-502F, 507F | WHITE         |

| REV | ECN NO | REVISIONS   | DRN | CKD | APP | DATE   |
|-----|--------|-------------|-----|-----|-----|--------|
| A   | —      | NEW RELEASE | BP  | —   | NO  | 4-2-18 |



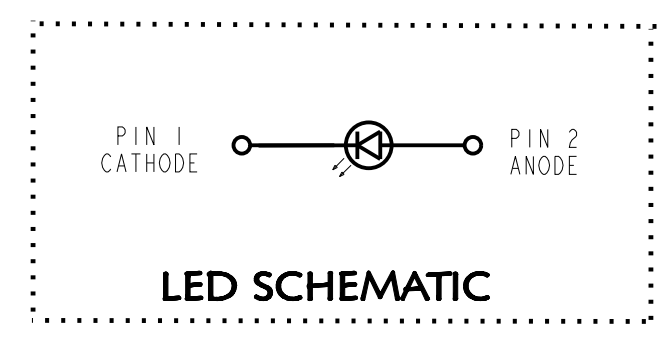
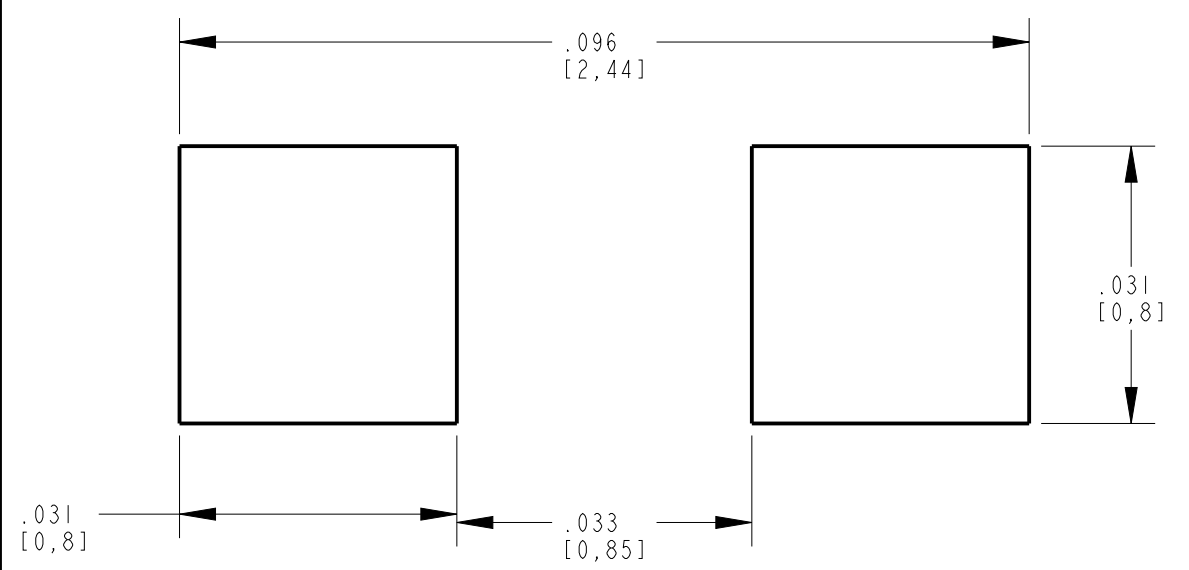
| ABSOLUTE MAXIMUM RATINGS AT 25°C |                        |                      |                           |                     |                            |                          |
|----------------------------------|------------------------|----------------------|---------------------------|---------------------|----------------------------|--------------------------|
| LED COLOR                        | POWER DISSIPATION (mW) | FORWARD CURRENT (mA) | PEAK FORWARD CURRENT (mA) | REVERSE VOLTAGE (V) | OPERATING TEMPERATURE (°C) | STORAGE TEMPERATURE (°C) |
| BLUE (470nm)                     | 66                     | 20                   | 100                       | 5                   | -40 TO +100                | -40 TO +100              |
| GREEN (527nm)                    | 70                     |                      |                           |                     |                            |                          |
| WHITE                            | 66                     |                      |                           |                     |                            |                          |

| OPERATING CHARACTERISTICS AT 25°C |         |                          |      |      |                          |                    |      |                       |                          |      |
|-----------------------------------|---------|--------------------------|------|------|--------------------------|--------------------|------|-----------------------|--------------------------|------|
| LED COLOR                         | IF (mA) | LUMINOUS INTENSITY (mcd) |      |      | DOMINANT WAVELENGTH (nm) |                    |      | REVERSE CURRENT (MAX) | FORWARD VOLTAGE (IF=5mA) |      |
|                                   |         | MIN.                     | TYP. | MAX. | MIN.                     | TYP.               | MAX. |                       | TYP.                     | MAX. |
| BLUE (470nm)                      | 5       | 14                       | 40   | 56   | —                        | 470                | —    | 10 μA @ VR=5V         | 2.9                      | 3.3  |
| GREEN (527nm)                     |         | 56                       | 140  | 330  | 520                      | 527                | 535  |                       | 3                        | 3.5  |
| WHITE                             |         | 56                       | 120  | 220  | —                        | X=0.295<br>Y=0.280 | —    |                       | 2.9                      | 3.3  |

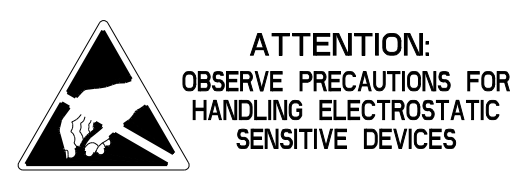


| Mark                | Meanings   | Conditions     |
|---------------------|--|----------------|
| T <sub>Smax</sub>   | Maximum of pre-heating temperature               | 180°C          |
| T <sub>Smin</sub>   | Minimum of pre-heating temperature               | 140°C          |
| t <sub>s</sub>      | Time from T <sub>Smin</sub> to T <sub>Smax</sub> | Over 60sec.    |
| T <sub>L</sub>      | Reference temperature                            | 230~260°C      |
| t <sub>L</sub>      | Retention time for T <sub>L</sub>                | Within 40sec.  |
| T <sub>P</sub>      | Peak temperature                                 | 260°C(Max)     |
| t <sub>p</sub>      | Time for peak temperature                        | Within 10sec.  |
| ΔT <sub>R</sub> /Δt | Temperature rising rate                          | Under 3°C/sec. |
| ΔT <sub>D</sub> /Δt | Temperature decreasing rate                      | Over -3°C/sec. |

**RECOMMENDED R<sub>0</sub>HS SOLDER PROFILE**



**RECOMMENDED SOLDER PAD LAYOUT**



**NOTES:**

- DIALIGHT P/N: 597-3XX4-502F, 597-3XX4-507F. SUFFIX -502F FOR 20 PCS ON A SAMPLE TAPE STRIP. SUFFIX -507F FOR 7" DIAMETER REEL, PACKAGED 3000 PCS PER REEL.
- LABELING FOR REEL AND OUTSIDE OF ALUMINUM BAG: DIALIGHT P/N, QUANTITY PER REEL, DATE CODE, INTENSITY BIN CODE, LOT NUMBER AND COUNTRY OF ORIGIN.
- TAPE AND REEL LEDS MAY REQUIRE RE-TAPING AFTER TWELVE MONTHS.
- PIN NUMBERS ARE FOR REFERENCE ONLY, DESIGNATION NON-EXISTENT ON PART.
- THIS PRODUCT IS R<sub>0</sub>HS COMPLIANT. EACH BAG IS TO BE MARKED WITH R<sub>0</sub>HS COMPLIANT LABEL OR EQUIVALENT MARKINGS. LED MUST BE Pb FREE.
- MSL LEVEL 3

THIS DRAWING AND THE CONTENTS HEREIN ARE CONFIDENTIAL AND THE SOLE PROPERTY OF DIALIGHT CORP. REPRODUCTION OF THIS DRAWING OR CONSTRUCTION OF ANY PARTS WITHIN THIS DRAWING ARE FORBIDDEN WITHOUT THE WRITTEN CONSENT OF DIALIGHT CORP.

DIALIGHT CORP INTERNAL REFERENCE ONLY - 3D MODEL: 4500521848X15-A-1

|  |                     |  |
|--|---------------------|--|
| SCALE: 50.000                          | DRAWING NUMBER      | REV  |
| ALL DIM'S IN: INCHES (MM)              | <b>C-18367</b>      | <b>A</b>   |
| TOLERANCES: UNLESS OTHERWISE SPECIFIED | TITLE               |  |
| FRACTIONS: ±1/64                       | SM LED 0603 PACKAGE |  |
| DECIMALS (.XX): ±.01                   | MATERIAL            |  |
| DECIMALS (.XXX): ±.005                 |                     |  |
| DECIMALS (.XXXX): ±.0005               |                     |  |
| ANGLES: ±1°                            |                     |  |
| FINISH                                 | <b>Dialight</b>     | 1501 ROUTE 34 SOUTH<br>FARMINGDALE, NJ 07727<br>(732) 919-3119<br>www.dialight.com |
| FSCM 83330                             | SHEET 1 OF 1        | FAMILY TABLE:  |