

Interface module - FLK-D25 SUB/S - 2283621

Please be informed that the data shown in this PDF Document is generated from our Online Catalog. Please find the complete data in the user's documentation. Our General Terms of Use for Downloads are valid (<http://download.phoenixcontact.com>)




VARIOFACE module, with screw connection and D-Subminiature male connector, for mounting on NS 35/7.5 or NS 32, 25-pos. (separate test socket for each channel)

The illustration shows version FLK-D37 SUB/S



Key commercial data

Packing unit	1
Minimum order quantity	5
Catalog page	Page 248 (IF-2007)
GTIN	 4 017918 055561
Custom tariff number	85369010
Country of origin	GERMANY

Technical data

General data

Nominal voltage UN	125 V AC
Max. current carrying capacity per branch	2.5 A
Max. total current of all branches	37 A
Number of positions	25
Width	71 mm
Height	51.6 mm
Depth	51.2 mm
Ambient temperature (operation)	-25 °C ... 50 °C
Ambient temperature (storage/transport)	-25 °C ... 70 °C
Test voltage	800 V AC (50 Hz, 1 min.)
Mounting position	Any
Standards/regulations	IEC 60664
Standards/regulations	DIN EN 50178
Standards/regulations	IEC 62103
Pollution degree	2
Surge voltage category	II

Interface module - FLK-D25 SUB/S - 2283621

Technical data

Connection data for connection 1

Connection name	PCB connection
Connection in acc. with standard	IEC / EN
Connection method	Screw connection
Conductor cross section solid min.	0.2 mm ²
Conductor cross section solid max.	4 mm ²
Conductor cross section stranded min.	0.2 mm ²
Conductor cross section stranded max.	2.5 mm ²
Conductor cross section AWG/kcmil min.	24
Conductor cross section AWG/kcmil max	12
Stripping length	8 mm
Screw thread	M3

Classifications

eclass

eCl@ss 4.0	27250313
eCl@ss 4.1	27250313
eCl@ss 5.0	27250313
eCl@ss 5.1	27250313
eCl@ss 6.0	27242608

etim

ETIM 2.0	EC001434
ETIM 3.0	EC001604
ETIM 4.0	EC001604
ETIM 5.0	EC002780

unspsc

UNSPSC 6.01	30211824
UNSPSC 7.0901	39121421
UNSPSC 11	39121421
UNSPSC 12.01	39121421
UNSPSC 13.2	39121421

Approvals

Approvals

Approvals

GOST

Ex Approvals

Interface module - FLK-D25 SUB/S - 2283621

Approvals

Approvals submitted

Approval details



Accessories

Accessories

Cable/conductor

Cable - CABLE-D25SUB/B/S/ 50/KONFEK/S - 2302120



Round shielded cable set, with 25-pos. D-SUB female and male connectors, cable length: 0.5 m

Cable - CABLE-D25SUB/B/S/100/KONFEK/S - 2302133



Round shielded cable set, with 25-pos. D-SUB female and male connectors, cable length: 1 m

Cable - CABLE-D25SUB/B/S/150/KONFEK/S - 2302146



Round shielded cable set, with 25-pos. D-SUB female and male connectors, cable length: 1.5 m

Cable - CABLE-D25SUB/B/S/200/KONFEK/S - 2302159



Round shielded cable set, with 25-pos. D-SUB female and male connectors, cable length: 2 m

Interface module - FLK-D25 SUB/S - 2283621

Accessories

Cable - CABLE-D25SUB/B/S/300/KONFEK/S - 2302162



Round shielded cable set, with 25-pos. D-SUB female and male connectors, cable length: 3 m

Cable - CABLE-D25SUB/B/S/400/KONFEK/S - 2302175



Round shielded cable set, with 25-pos. D-SUB female and male connectors, cable length: 4 m

Cable - CABLE-D25SUB/B/S/600/KONFEK/S - 2302188



Round shielded cable set, with 25-pos. D-SUB female and male connectors, cable length: 6 m

Cable - CABLE D-SUB-S/.../.../... - 2302340



Shielded round cable, assembled with one D-SUB male and one female connector, variable cable length

Cable - CABLE D-SUB-B-B-S/.../.../... - 2302421



Shielded round cable, assembled with two D-SUB female connectors, variable cable length

Cable - CABLE-D-25SUB/F/OE/0,25/S/0,5M - 2926153



Shielded cable with a 25-pos. D-SUB female connector and one open end. The individual wires are labeled 1 to 25 and fitted with ferrules. The braided shield is routed to a separate cable end. Cable length: 0.5 m.

Interface module - FLK-D25 SUB/S - 2283621

Accessories

Cable - CABLE-D-25SUB/F/OE/0,25/S/1,0M - 2926166



Shielded cable with a 25-pos. D-SUB female connector and one open end. The individual wires are labeled 1 to 25 and fitted with ferrules. The braided shield is routed to a separate cable end. Cable length: 1 m.

Cable - CABLE-D-25SUB/F/OE/0,25/S/1,5M - 2926179



Shielded cable with a 25-pos. D-SUB female connector and one open end. The individual wires are labeled 1 to 25 and fitted with ferrules. The braided shield is routed to a separate cable end. Cable length: 1.5 m.

Cable - CABLE-D-25SUB/F/OE/0,25/S/2,0M - 2926182



Shielded cable with a 25-pos. D-SUB female connector and one open end. The individual wires are labeled 1 to 25 and fitted with ferrules. The braided shield is routed to a separate cable end. Cable length: 2 m.

Cable - CABLE-D-25SUB/F/OE/0,25/S/3,0M - 2926195



Shielded cable with a 25-pos. D-SUB female connector and one open end. The individual wires are labeled 1 to 25 and fitted with ferrules. The braided shield is routed to a separate cable end. Cable length: 3 m.

Cable - CABLE-D-25SUB/F/OE/0,25/S/4,0M - 2926205



Shielded cable with a 25-pos. D-SUB female connector and one open end. The individual wires are labeled 1 to 25 and fitted with ferrules. The braided shield is routed to a separate cable end. Cable length: 4 m.

Interface module - FLK-D25 SUB/S - 2283621

Accessories

Cable - CABLE-D-25SUB/F/OE/0,25/S/6,0M - 2926218



Shielded cable with a 25-pos. D-SUB female connector and one open end. The individual wires are labeled 1 to 25 and fitted with ferrules. The braided shield is routed to a separate cable end. Cable length: 6 m.

Plug/Adapter

Reducing plug - RPS - 0201647



Reducing plug, Color: gray

Cable - CABLE-D-25SUB-F-OE-0,25-S/... - 2900906

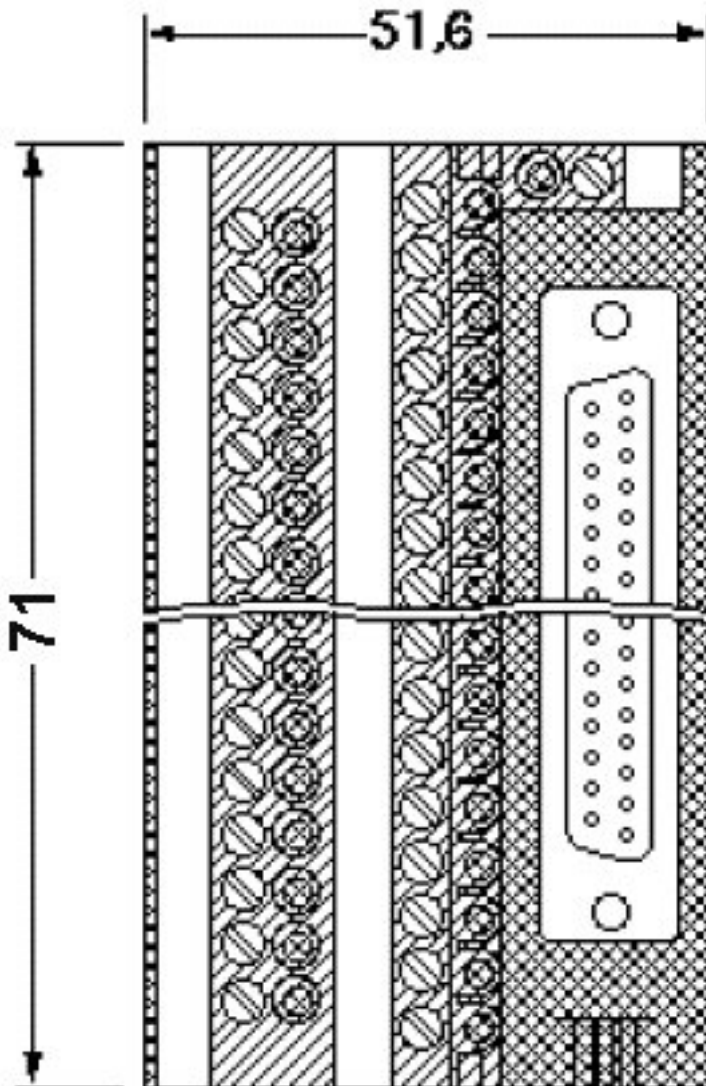


Shielded cable with a 25-pos. D-SUB female connector and one open end. The individual wires are labeled 1 to 25 and fitted with ferrules. The braided shield is routed to a separate cable end. Cable length: variable.

Drawings

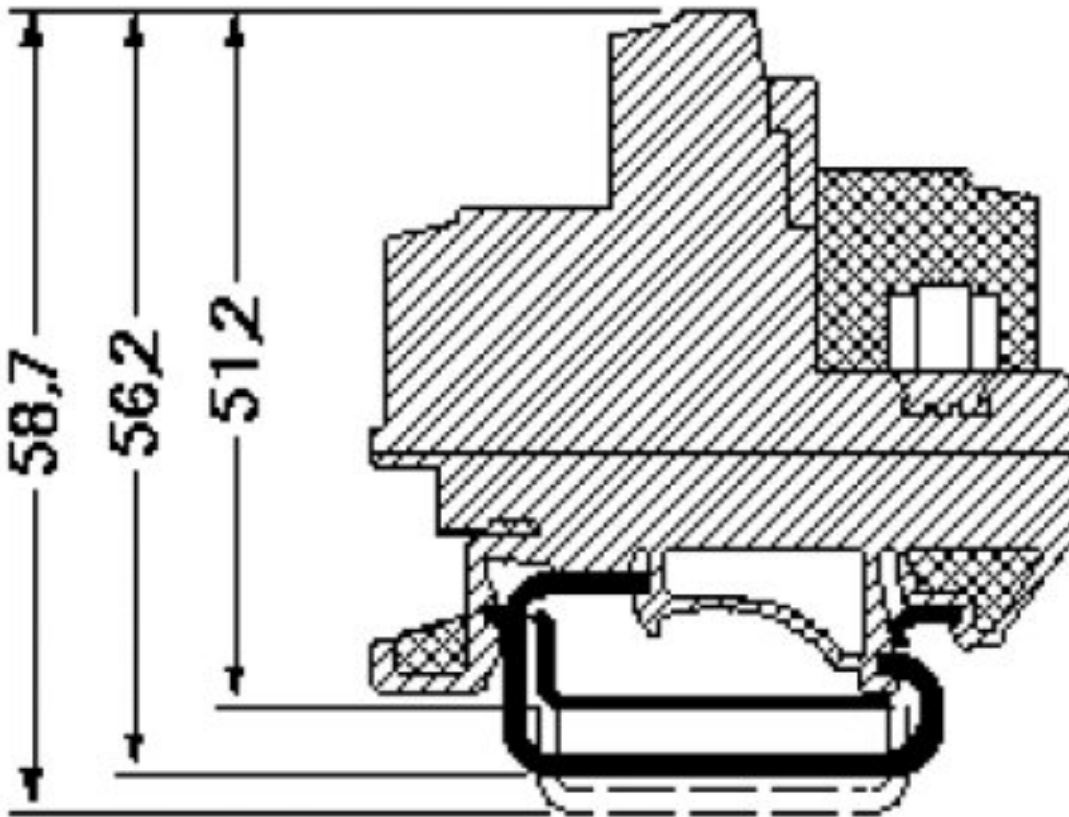
Interface module - FLK-D25 SUB/S - 2283621

Dimensioned drawing



Interface module - FLK-D25 SUB/S - 2283621

Dimensioned drawing



© Phoenix Contact 2012 - all rights reserved
<http://www.phoenixcontact.com>