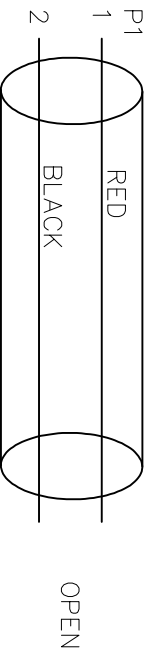
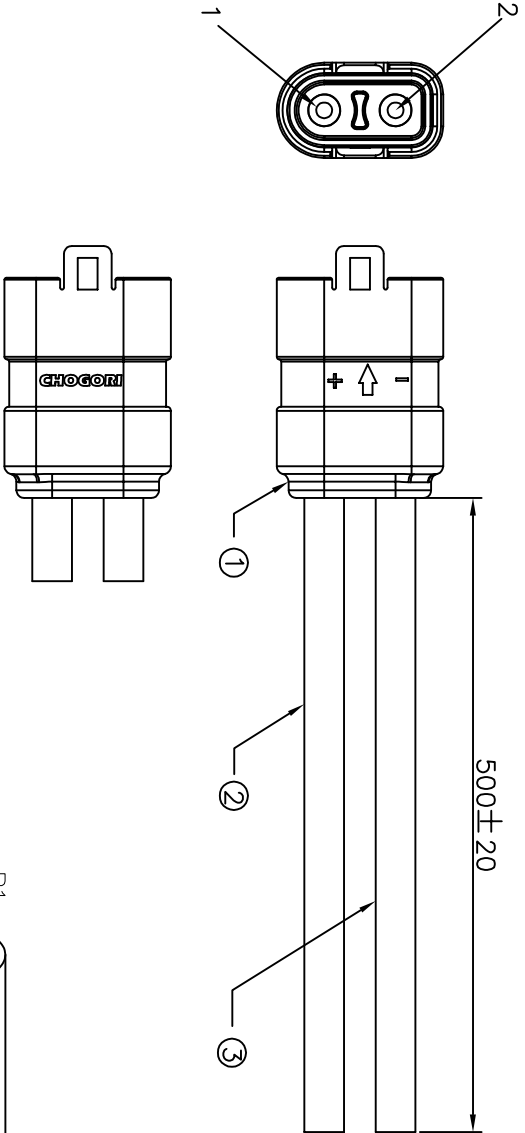


REV	ECN NO.	DESCRIPTION	SIGN	DATE
C1	N/A	INITIAL DRAWING	Joseph	2021/11/26



SPECIFICATIONS&TEST REQUIREMENTS

- 1.TEMPERATURE RATING: -40°C~105°C
- 2.CURRENT RATING : 40A
- 3.VOLTAGE RATING:60V DC
- 4.INSULATION RESISTANCE:100MΩ@500VDC,1MIN
- 5.DIELECTRIC WITHSTANDING VOLTAGE:10000VAC, 1MIN
- 6.MATING CYCLE:100 Cycles Min.
- 7.WATERPROOF RATING:IPX7(MATING).
- 8.ROHS COMPLIANT.

ITEM	CHOGORI P/N	QTY	UNIT	DESCRIPTION
3	900-00101-00XXX	A/C	M	UL1015 10AWG OD4.6 VW-1 PVC -40~105 600V
2	900-00101-00XXX	A/C	M	UL1015 10AWG OD4.6 VW-1 PVC -40~105 600V
1	13002351-01	1	PC	AD01 2P Male connector

PART NO	DESCRIPTION
11C03621112310	13002351-01 AD01 2P Male connector cable assembly

UNIT:mm
 TOLERANCE: ±1

DESCRIPTION: 13002351-01 AD01 2P Male connector cable assembly
 SCALE: 1:1
 REV: C1 SIZE: A4 SHEET: 1 OF 1
 * : Inspection Item

CHOGORI

DWG NO	CUSTOMER	DATE
11C03621112310		2021/11/26

DRAWN BY	CHECKED BY	APPROVED BY	DATE
Joseph	Joseph	Eric	2021/11/26