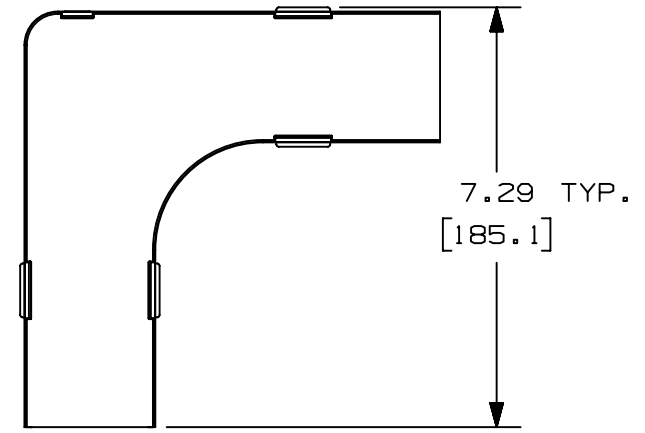


2

1

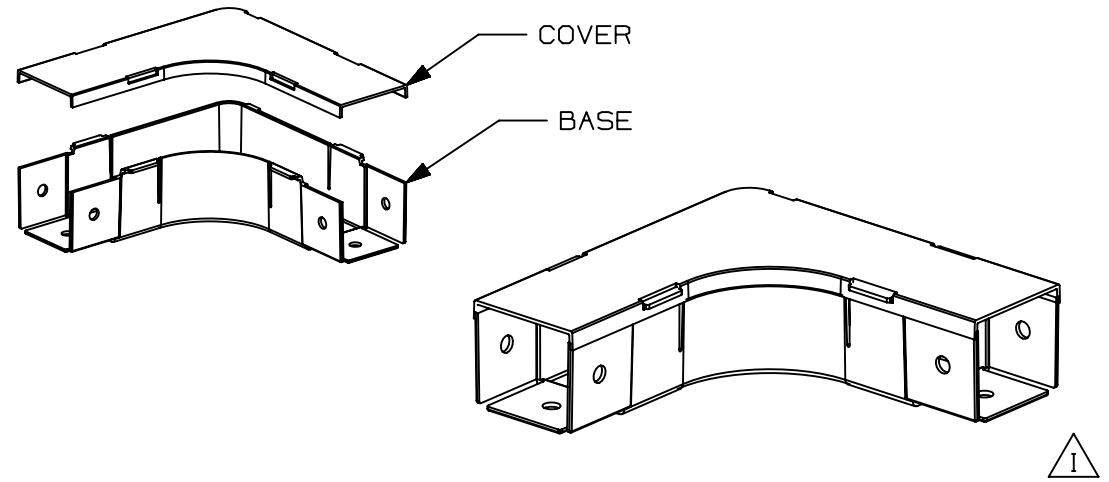
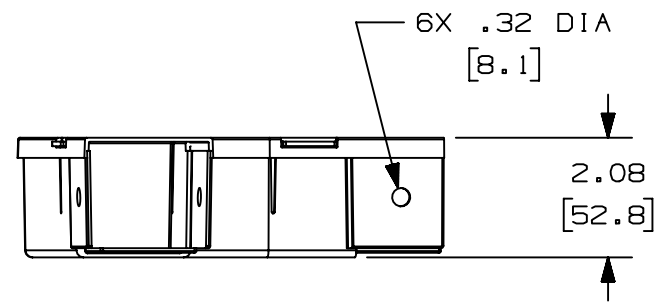
THIS COPY IS PROVIDED ON A RESTRICTED BASIS AND IS NOT TO BE USED IN ANY WAY DETRIMENTAL TO THE INTERESTS OF PANDUIT CORP.

PANDUIT PART NUMBER	WEIGHT	MATERIAL
FRA2X2	0.34 LB/EACH (152g/EACH)	ABS
FRA2X2L	0.34 LB/EACH (152g/EACH)	PC/ABS



**NOTES:**

1. SEE CURRENT CATALOG FOR ADDITIONAL PART SUFFIXES TO INDICATE COLOR AND/OR PACKAGE QUANTITY.
2. THE FIBER-DUCT 2x2 AND FIBERRUNNER 2x2 HORIZONTAL RIGHT ANGLE FITTING IS DESIGNED WITH A MINIMUM 2" (50.8) BEND RADIUS TO PROTECT FIBER OPTIC CABLES.
3. DIMENSIONS IN PARENTHESES ARE IN METRIC.



B

B

A

A

REV	DATE	BY	CHK	APR	DESCRIPTION	ECN
04B	8/31/2020	MES	DWR	DWR	ADDED PART NUMBER	V09002DZ/11
4	05-06-13	JBN	RTFI	RN	I. UPDATED DRAWING BORDER & TITLE BLOCK	35245-30

TITLE		FIBER-DUCT 2X2 AND FIBERRUNNER 2X2 HORIZONTAL RIGHT ANGLE FITTING - FRA2X2, FRA2X2L	
ITEM REVISION NAME		CUSTOMER DRAWING	
DATASET FILE NAME		D35245CD/03	
DATASET FILE NAME		D35245CD_DC_FRA2X2/03C	
UNLESS OTHERWISE SPECIFIED, DIMENSIONAL TOLERANCES ARE: IN [ mm ]		MATERIAL:	
.X ± .XX ± .03 [ .8 ]		SEE PART NUMBER TABLE ABOVE	
.XXX ± ANGLES ±		DRAWING NUMBER:	
THIRD ANGLE PROJECTION		35245-30	
DRAWN BY	DATE	CHK	SCALE
JBA	05-20-97	HIW	NONE
SHT 1 OF 1		SIZE	
A		A	

2

1

D10100DA/15