

SAFETY ORGANIZATION(S):

THIS MODULE HAS BEEN FORMALLY RECOGNIZED, CERTIFIED OR APPROVED BY THE LISTED AGENCY. THEREFORE, ALL TEST/REQUIREMENTS SPECIFIED IN THE LATEST REVISION OF THE FOLLOWING AGENCY STANDARDS HAVE BEEN MET:

UL RECOGNIZED  
 CSA CERTIFIED  
 UL 498  
 CSA 22.2, NO. 0,0,4,42

OPERATING SPECIFICATIONS:

LINE VOLTAGE/CURRENT: 6 AMP., 120/250 VAC  
 LINE FREQUENCY: 50-60Hz  
 MAX. LEAKAGE CURRENT, EACH LINE TO GROUND: 2  $\mu$ A @ 120VAC 60 Hz  
 5  $\mu$ A @ 250VAC 50 Hz

OPERATING VOLTAGES:

6VJ1 100, 120, 220, 240 VAC  
 6VJ1-2 115, 230 VAC

RELIABILITY SPECIFICATIONS:

STORAGE TEMPERATURE: -40°C TO +85°C  
 HUMIDITY: 21 DAYS @ 40°C 95% RH  
 CURRENT OVERLOAD TEST: 6 TIMES RATED CURRENT FOR 8 SECONDS

TEST SPECIFICATIONS:

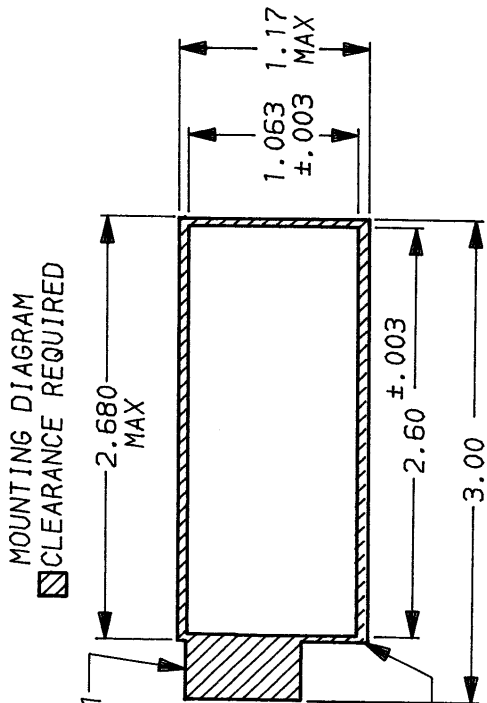
LINE/GROUND AND LINE/LINE INSULATION RESISTANCE: 5000 M $\Omega$  (MIN) AT 100 VDC 20°C AND 50% RH

RECOMMENDED RECEIVING INSPECTION HIPOP:

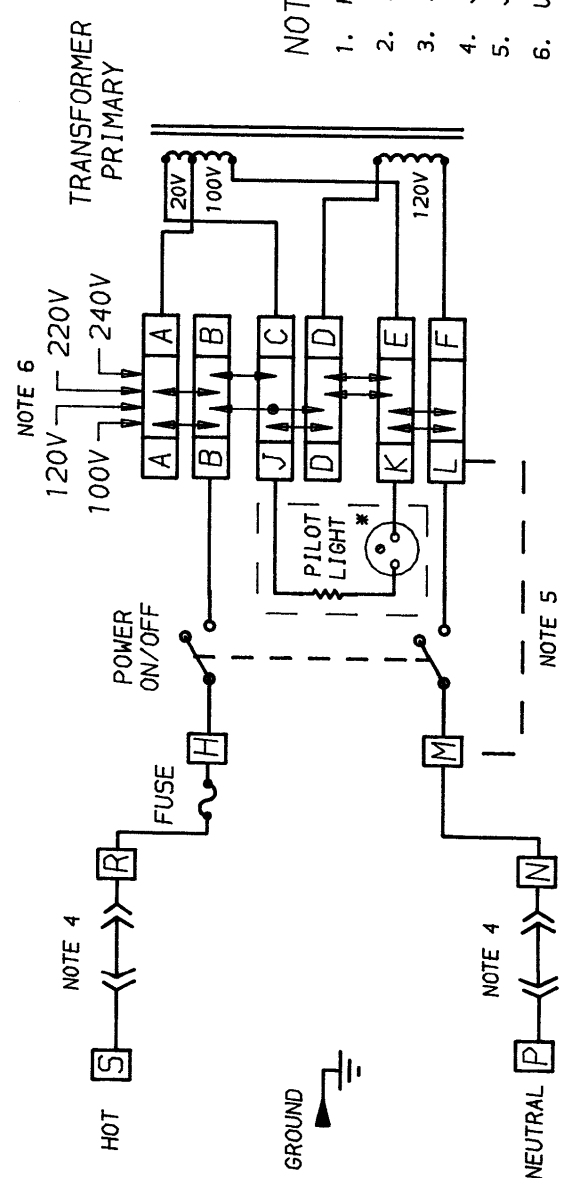
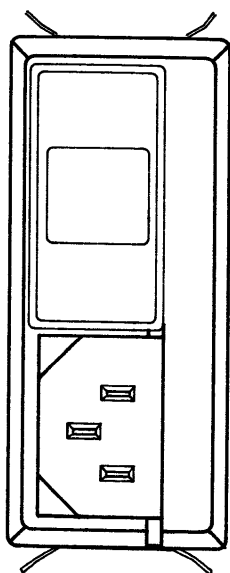
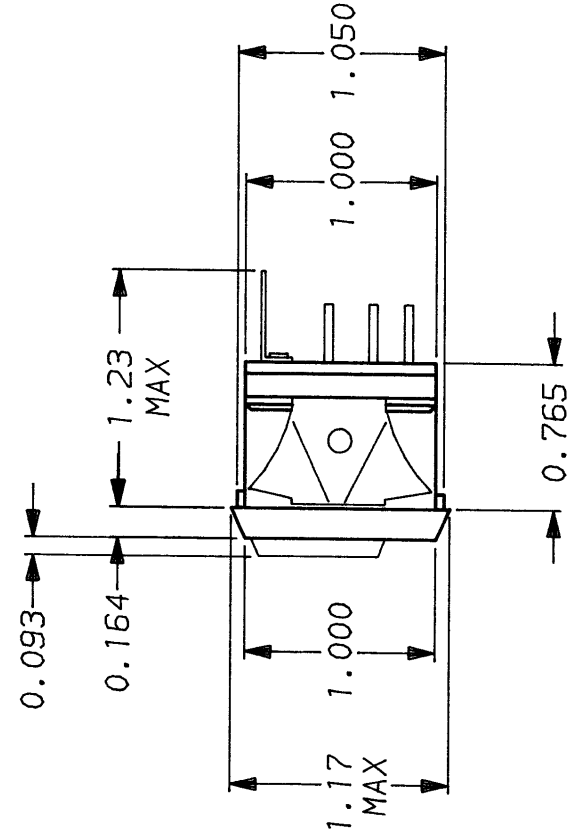
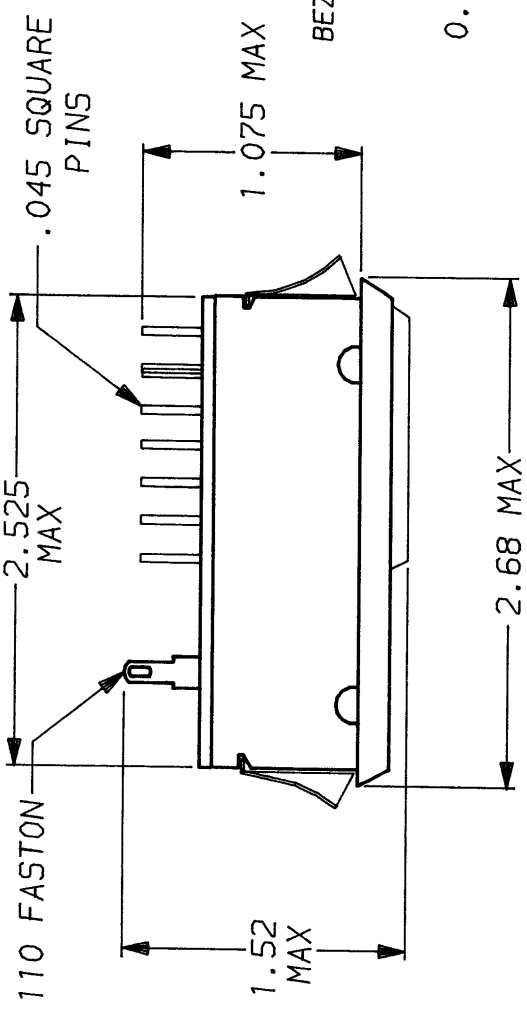
LINES TO GROUND: 2250 VDC FOR 1 MINUTE  
 LINE TO LINE: 1450 VDC FOR 1 MINUTE

FILTER APPROVAL:

THE BEST WAY TO SELECT AND QUALIFY A FILTER IS FOR YOUR ENGINEERING TO TEST THE UNIT IN YOUR EQUIPMENT.



NOTE 1



NOTE 6

NOTE 4

NOTE 4

NOTE 5

\* NOT SUPPLIED

NOTES:

1. FUSE COVER DOOR SHOWN IN OPEN POSITION
2. STANDARD UNITS MOUNT IN PANEL THICKNESS OF .060 - .090
3. SPECIAL MOUNTING CLIPS SOLD SEPARATELY FOR PANEL THICKNESSES OF .105 - .125
4. JUMPERS REQUIRED IF NO FILTER IS USED
5. JUMPER REQUIRED IF ONLY SPST POWER SWITCH IS USED.
6. USE ONLY 120V AND 240V POSITIONS FOR 6VJ1-2

This document is proprietary to CORCOM INC. and is not to be reproduced nor used for manufacturing purposes except on CORCOM's order or prior written consent.

TOLERANCE EXCEPT AS NOTED

DECIMAL: .XXX .XX .X ANGLES  $\pm$  1°  
 ENGLISH:  $\pm$ .015  
 METRIC:  $\pm$  —

MATERIAL: AS SUPPLIED

FINISH:

<p><b>CORCOM</b> LIBERTYVILLE, IL 60048</p>		SCALE	DATE	DRG. NO.	REV.
		NTS	8-10-90	6VJ1 & 6VJ1-2	03
DRW. BY		ORIGINATOR			
CFW		CFW			